

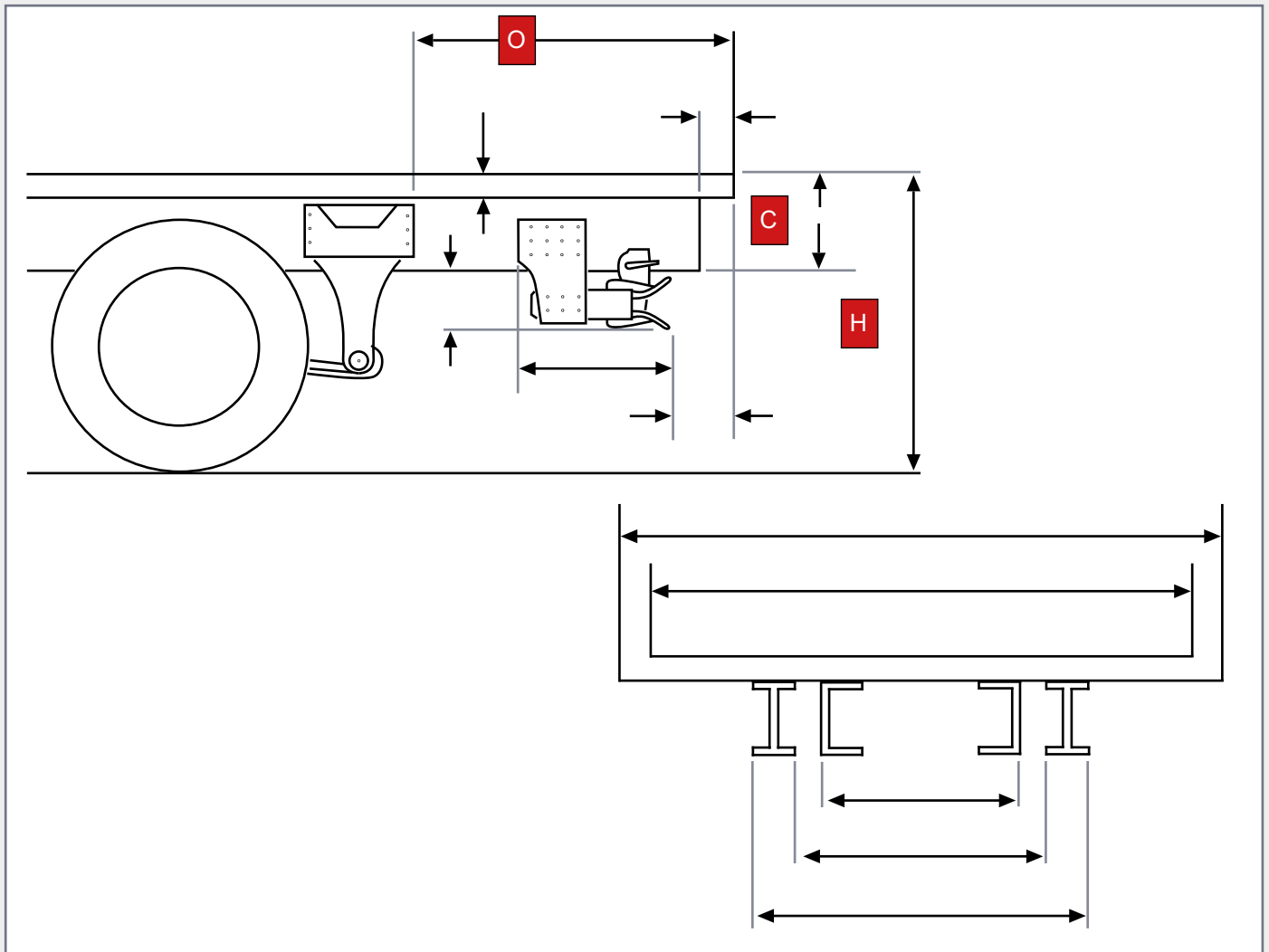
# ZEPRO TAIL LIFT SPECIFICATION SHEET

## VEHICLE DETAILS

Make and model

Wheelbase (mm)	Total length (mm)	Gross vehicle weight (t)	Model year
Vehicle type	Suspension Type	Electrical system	Box body details
Truck	Air springs	12V	Rear doors
Trailer	Leaf springs	24V	Platform as rear door
Other:			Flatbed

## VEHICLE DIMENSIONS (not required for panel vans)



ZEPROTech  
zeprotech@hiab.com

## TAIL-LIFT DETAILS

### Lift capacity (kg)

### Type

- Cantilever lift
- Slider lift
- Column lift
- Tuck-under lift

### Options

- Autotilt
- ADR EXII / III
- Low noise

### Control Units

- Fixed outside pcs.
- Fixed inside
- Spiral cable control device
- Radio control device
- Foot controls on platform

### Surface Treatment

- Powder paint standard colour
- Powder paint custom colour:
- Galvanized

## PLATFORM DETAILS

### Material

- Steel
- Aluminium

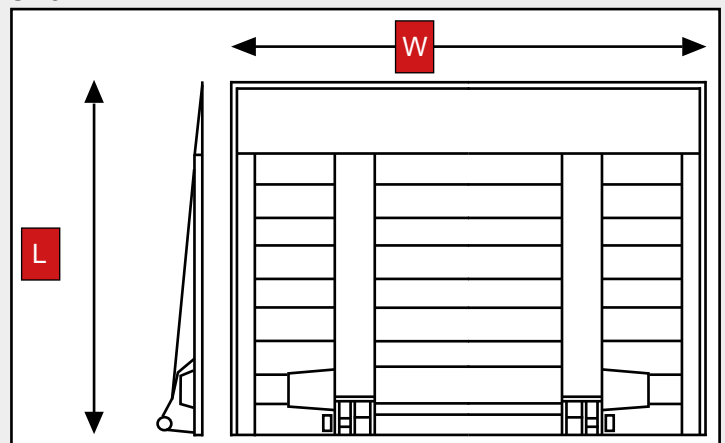
### Surface treatment

- Powder paint standard colour
- Powder paint custom colour:
- PIEK on tearplate Side
- Spray Zink on tear pate side
- Spray Zink on back Side

### Options

- Mechanical lock
- Warning lights
- Yellow line on 3 sides
- Yellow feet

### Size



### Roll stops

- No roll stops
- 90 degree
- 30 degree  
*Alu. pl. only*

Bowls, layout:

