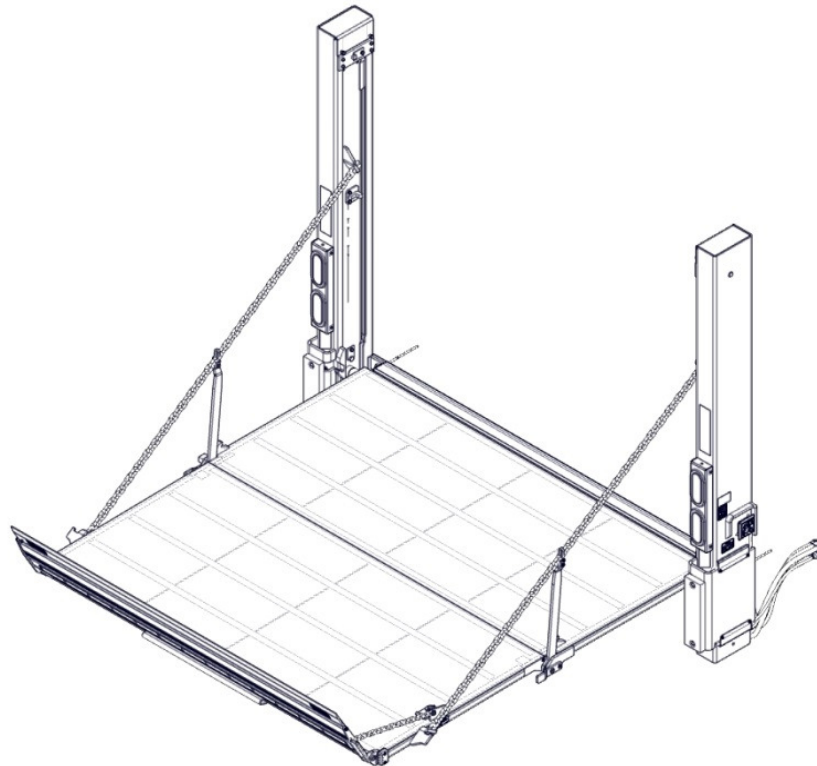


Parts Manual

WDV SERIES

3500, 4500, 5500 & 6600 lb. Liftgates



This manual identifies parts for Liftgates manufactured: 2/2016

WDV GEN 2

Last Change

<i>Date</i>	<i>Page(s)</i>	<i>Description</i>
10/2016	17& 20	REVISED PM'S PM-930 & PM-933

Waltco Lift Corp.
Corporate Office United State
285 Northeast Ave.
Tallmadge, OH 44278
P: 330.633.9191
F: 330.633.1418

Waltco Lift Corp.
United States
620 S Hambledon Ave.
City of Industry, CA 91744
P: 626.964.0990
F: 626.964.0149

Waltco Lift Inc.
Canada
90 North Queen St.
Etobicoke, ON M8Z 2C5
P: 888.343.4550

Table of Contents



Improper operation and maintenance of this liftgate could result in severe personal injury or death.

Read and understand the contents of the owner's manual and all warning and operation decals before operating and/or performing maintenance on this liftgate.

Introduction.....	3
How To Order Parts	4
Warranty	5
Model Information.....	6
H-Frame – WDV	7
Platform – Steel	9
Platform – Aluminum	10
Platform – Flip Ramp	11
Platform – WDVBG	13
Platform – Cart Stop	14
Pump and Battery Box Components	15
Pump and Battery Box Accessories	16
Hydraulic Components and Harnesses	17
Runner Assembly	18
Column Parts	19
Cylinders, Hoses, Fittings and Extensions	20
Decals	21

Introduction

Each Waltco liftgate is manufactured to stringent quality standards for years of reliable service. To ensure maximum performance of your Waltco liftgate, always specify and use "OEM Parts" from Waltco.

This manual does not provide procedures for the servicing and repair of Waltco liftgates. Service and repair should only be performed by an authorized Waltco distributor. For information on the nearest authorized Waltco distributor contact:

Waltco Lift Corp.

285 Northeast Avenue

Tallmadge, OH 44278

Phone: 800.411.5685

Fax: 800.411.5684

E-mail: parts@waltco.com



The use of non-standard or makeshift parts can be extremely hazardous and result in serious injury or death.



Every vehicle that has a WALTCO Liftgate must have legible WARNING AND OPERATION DECALS clearly posted on the vehicle and an OWNER'S MANUAL in the vehicle at all times as a guide for proper operation and maintenance.

How To Order Parts

Repairs should be made only by authorized mechanics using WALTCO Replacement parts.

When ordering repair or replacement parts, please include all the information asked for below. If this information is not available, a complete written description or sketch of the required part will help WALTCO identify and deliver the needed part to you.

THE FOLLOWING INFORMATION MUST BE INCLUDED:

1. SERIAL NUMBER - [WALTCO liftgate serial numbers can be found on the Specification Tag attached to the mount frame. (On older units the Specification Tag is located on the side or bottom of the platform.)]
2. MODEL NUMBER - [Or capacity]
3. PLATFORM SIZE

THEN INCLUDE THE FOLLOWING INFORMATION:

4. PART NUMBERS
5. DESCRIPTION
6. QUANTITY REQUIRED

MAIL, E-MAIL OR PHONE YOUR REQUEST TO:

Waltco Lift Corp
285 Northeast Avenue
Tallmadge, OH 44278
1-800-411-5685
FAX: 1-800-411-5684
E-MAIL: parts@waltco.com

ALL PARTS ARE F.O.B. FROM THE SHIPPING FACTORY

PLEASE NOTE:

To assure you of continuing and effective quality control, our warranty policy permits replacement of hydraulic cylinders, valves and motor pump units when their factory seals are intact. Parts under warranty will be exchanged promptly after careful inspection of the returned assemblies.

WALTCO warrants its products free of defects in materials and workmanship.

WALTCO will replace components found defective during the warranty period. Labor will be reimbursed according to our flat rate labor schedule at the prevailing shop rate.

Contact our Sales or Warranty departments for the warranty period of your model or for information regarding our flat rate labor schedule.

WALTCO Warranty Claim Procedure

For consideration, all claims must be received within 30 days of repair and include the following information:

- Liftgate Serial Number
- Description of problem and corrective actions
- Itemization of the labor charge to include the number of hours and labor rate

Replacement warranty parts can be obtained by contacting Waltco's Parts Department. Parts must be returned for inspection when requested.

Exclusions:

Waltco's warranty does not include reimbursement for service calls, vehicle rental, towing, travel time, fabrication of parts available from WALTCO, damage from misuse or abuse, negligence, accidents, alteration, loss of income or overtime expense, oil, or normal wear.

Diagnosis and troubleshooting time are included in the flat rate labor times.

Warranty and technical information is available from WALTCO's toll free customer service lines from 8:00 a.m. to 5:00 p.m. EST.

Waltco Lift Corp

285 Northeast Ave, Box 354, Tallmadge, OH 44278

1-800-211-3074, 330-633-9191

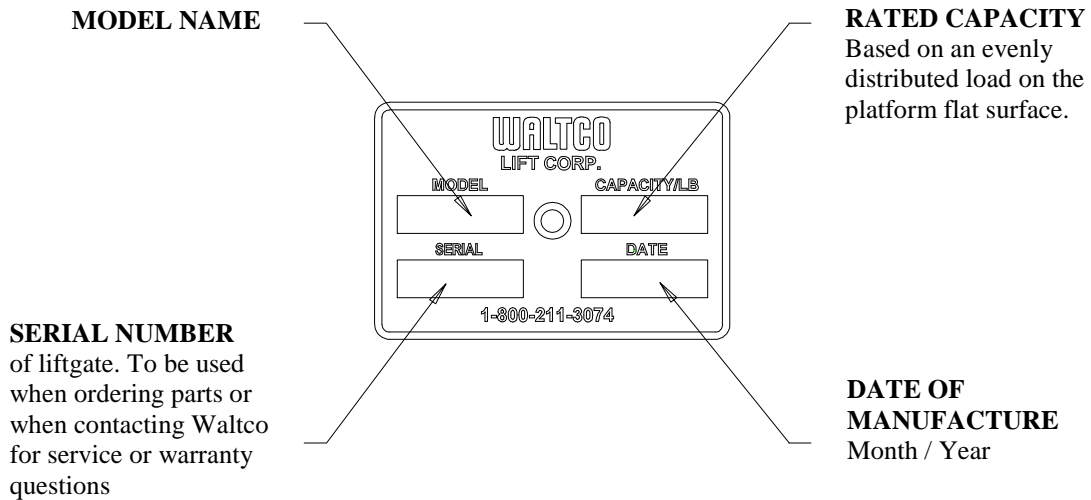
Please visit our websites: <http://www.waltco.com> or <http://www.hiab.com>

We're behind you all the way!

Model Information

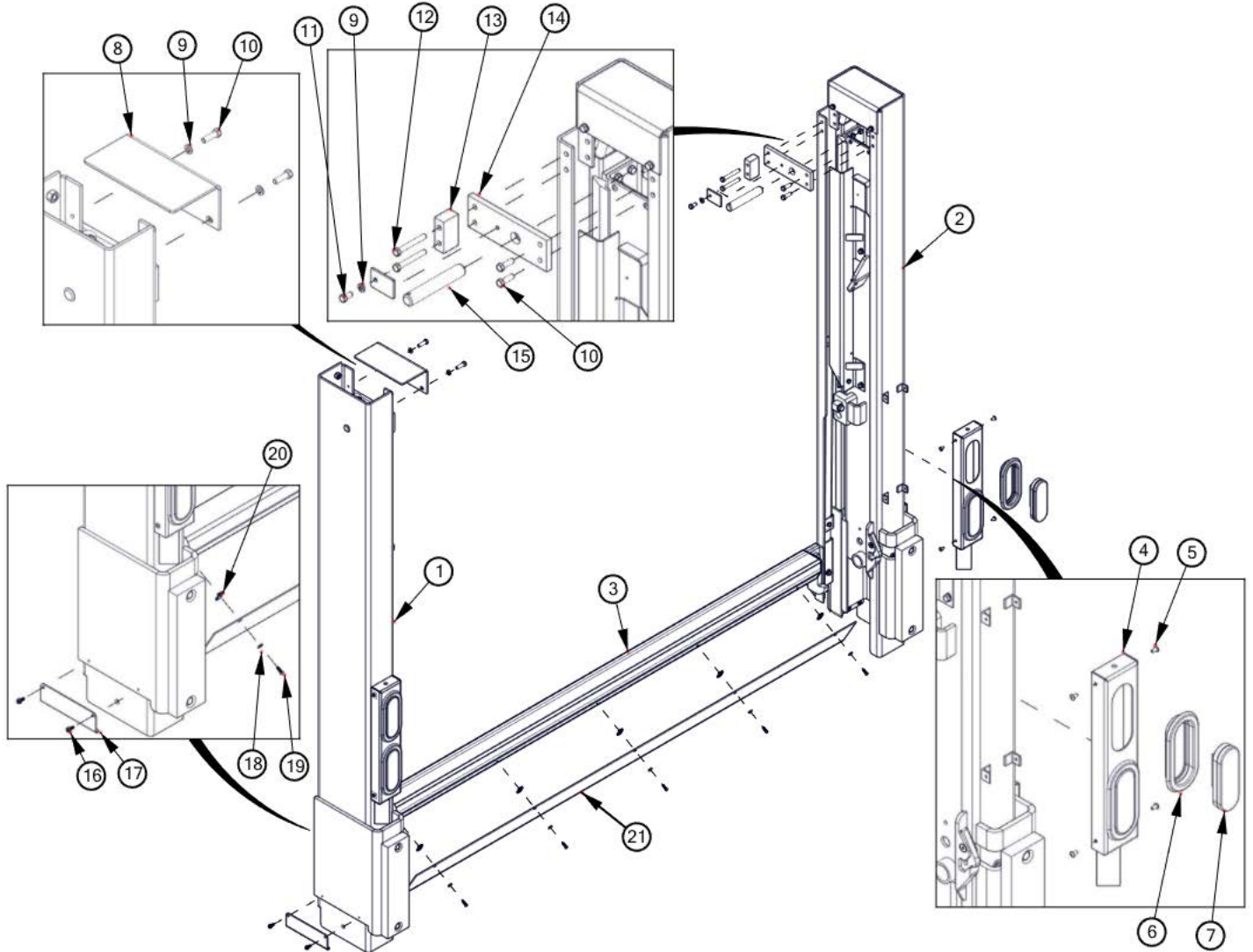
EXPLANATION OF SPECIFICATION TAG		
MODEL No.	DESCRIPTION	CAPACITY
WDVBG35	WDVBG-35 Series	3500 lb.
WDVBG45	WDVBG-45 Series	4500 lb.
WDV35	WDV-35 Series	3500 lb.
WDV45	WDV-45 Series	4500 lb.
WDV55	WDV-55 Series	5500 lb.
WDV66	WDV-66 Series	6600 lb.

Explanation of Specification Tag



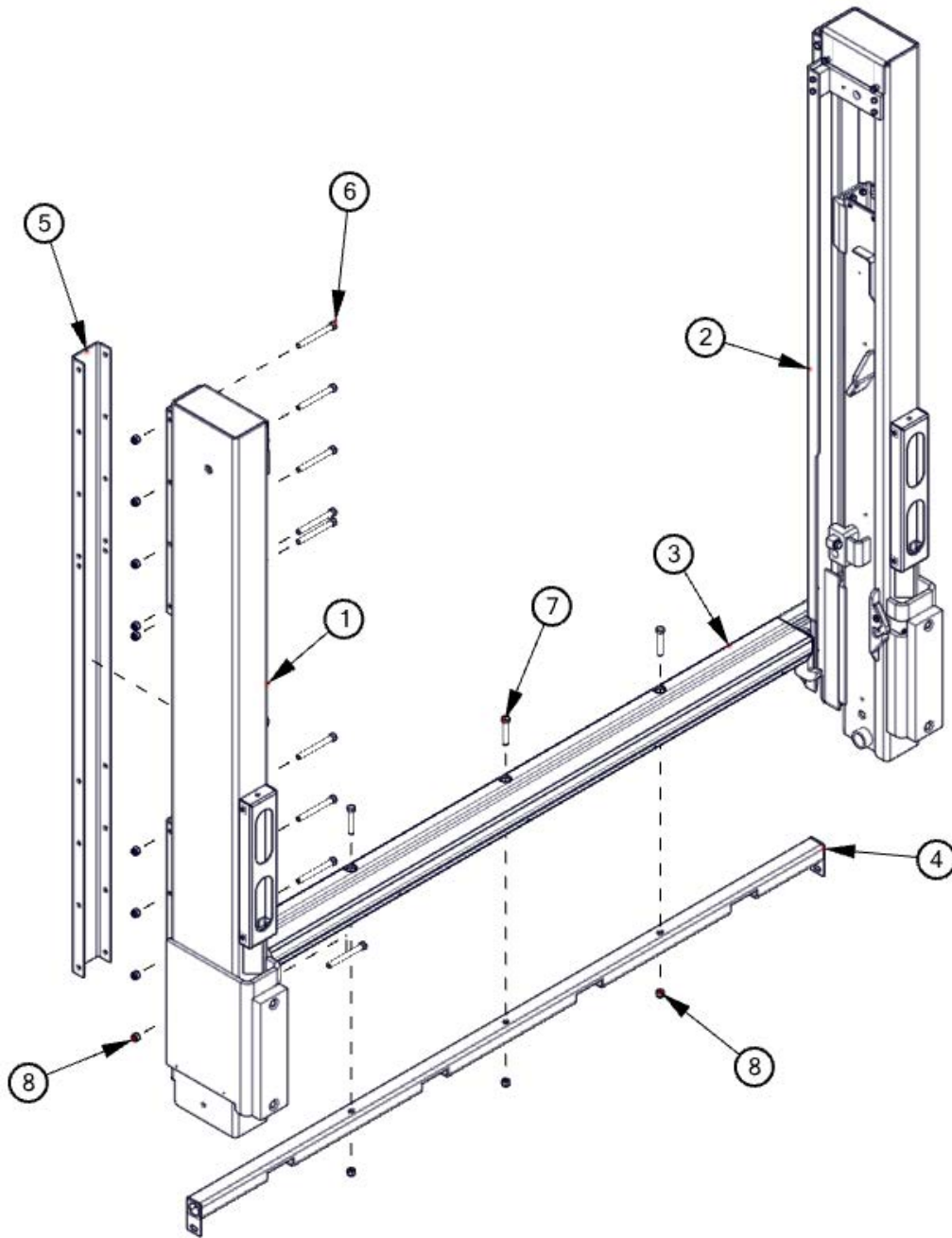
GR00241

H-Frame



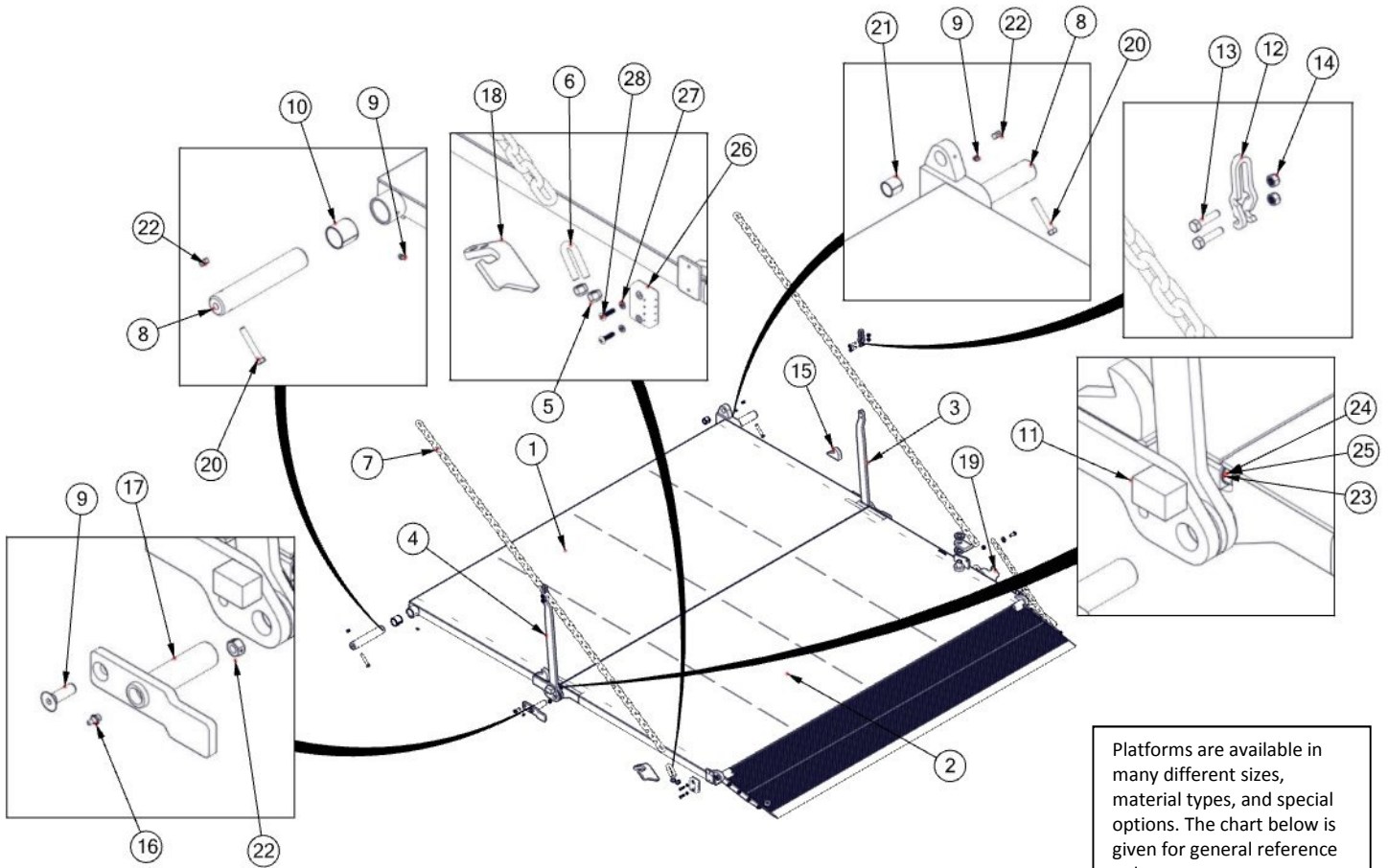
ITEM #	DESCRIPTION	BLACK		GALVANIZED		QTY
		96" WIDE	102" WIDE	96" WIDE	102" WIDE	
1	COLUMN WELD, DS	42721150		42721150GV		1
2	COLUMN WELD, CS	42721100		42721100GV		1
3	HOUSING WELD	42729010	42729000	42729010GV	42729000GV	1
4	LIGHT BRACKET, 2 OVAL, LED	42721960		42721960GV		2
5	RIVET 1/4" ALUM	75089481				8
6	GROMMET, OVAL, LED	42668164				4
7	LED LIGHT, OVEL, RED	75089463				4
8	TRACK CAP	42668542		42668542GV		2
9	LOCK WASHER 3/8"	75088081				6
10	BOLT 3/8" X 1/4"	75086218				10
11	BOLT 3/8" X 5/8"	7500010-15				2
12	BOL 3/8" X 3-1/2"	75086067				2
13	CYLINDER PLATE SPACER	42668971				1
14	CYLINDER SUPPORT BRACKET	42668003		42668003GV		2
15	CYLINDER PIN, UPPER	42668017				2
16	SCREW, 1/4" X 5/8"	75086874				6
17	WIRE COVER	42700010		42700010GV		3
18	WASH, FLAT, 1/4"	75088051				5
19	SCREW, 1/4" X 3/4"	75086876				5
20	CLIP, TINNEMAN, 1/4"	75085164				5
21	TOE GUARD	42729210	42729200	42729210GV	42729200GV	1

Bolt-On H-Frame



ITEM #	DESCRIPTION	BLACK				GALVANIZED				QTY
		96" WIDE		102" WIDE		96" WIDE		102" WIDE		
		PAINTED	UNPAINTED	PAINTED	UNPAINTED	UNPAINTED	STAINLESS	UNPAINTED	STAINLESS	
1	COLUMN WELD, DS, BOLTON	42721155				42721155GV				1
2	COLUMN WELD, CS, BOLTON	42721105				42721105GV				1
3	HOUSING WELD, BOLTON	42729015		42729005		42729015GV		42729005GV		1
4	HOUSING MOUNT WELD	42700036	42700023	42700034	42700022	42700023	42700026	42700022	42700024	1
5	MOUNT CHANNEL	42700032	42700035	42700032	42700035	42700035	42700038	42700035	42700038	2
6	BOLT 1/2" X5"	7500010-37								18
7	BOLT 1/2" X3"	7500010-42								3
8	NUT 1/2" NYLOCK	75085162								21

Platform-Steel



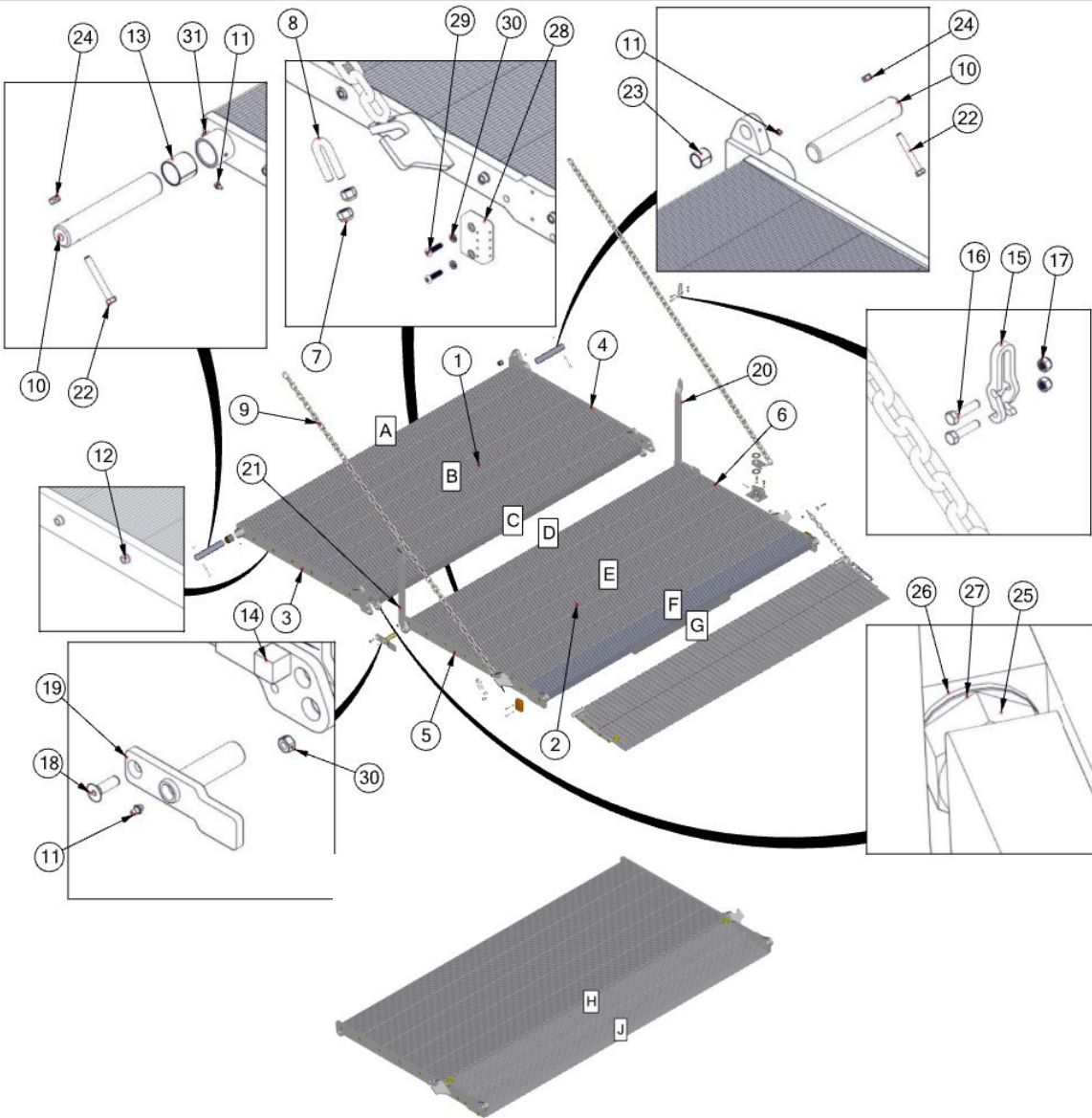
Platforms are available in many different sizes, material types, and special options. The chart below is given for general reference only.

When ordering replacement platform sections, please provide the serial number

Item 23, 24, and 25 are used on both sides of the platform to adjust deck extension angle.

ITEM #	DESCRIPTION	60x82+12	60x82+12 C/S	72x82+16	72x82+12	72x82+12 C/S	84x82+16	60x88+12	60x88+12 C/S	72x88+16	72x88+12	72x88+12 C/S	84x88+16	60x82+16	60x88+16	QTY
1	PLATFORM ASSEMBLY	42710032	42710033	42710011	42710030	42710031	42710010	42710022	42710023	42710001	42710020	42710021	42710000	42710012	42710002	1
2	DECK		42711011			42711010			42711001			42711000		42711012	42711002	1
3	DECK EXTENSION	42713032	42713033	42713011	42713030	42713031	42694048	42713022	42713023	42713001	42713020	42713021	42713000	42713012	42713002	1
4	LINKAGE ARM WELD, CS		42716001			42716000			42716001			42716000		42716001	42716001	1
5	LINKAGE ARM WELD, DS		42716051			42716050			42716051			42716050		42716051	42716051	1
6	NUT, 1/2"							75085162								8
7	U-BOLT							75080126								4
8	CHAIN		42695501			42695500			42695501			42695500		42695501		2
9	PIN, RUNNER HINGE							42668739								2
10	GREASE FITTING							75089306								5
11	BUSHING, 1 1/2" ID x 1 1/2"							42668119								2
12	PLATFORM STOP							42668474								1
13	CHAIN HOLDER							42716090								2
14	BOLT, 5/16" x 13/8"							75086214								4
15	LOCKNUTS, 1/6"							75085177								4
16	STORE BELOW HOOK							42668794								2
17	SCREWS, 3/8" x 1 1/4"							75085992								2
18	PIN ASSY, FOLDING HINGE							42715000								2
19	TRAVEL EAR, DS							42713450								1
20	TRAVEL EAR, CS							42713400								1
21	BOLT, 3/8" x 2 1/2"							7500010-31								2
22	BUSHING, 1" ID x 1"							42700099								1
23	LOCKNUT, 3/8"							75085122								4
24	PLATFORM LEVELING BOLT							75086109								2
25	PLATFORM SHIM THICK							75088071								0-4
26	PLATFORM SHIM THIN							75088072								0-4
27	PLATFORM CAUTION LIGHT							42613990								2
28	LOCK WASHER 1/4"							75088079								4
29	SCREWS, 1/4 x 1", STAINLESS							75086701								4

Platform-Aluminum



Platforms are available in many different sizes, material types, and special options. The chart below is given for general reference only.

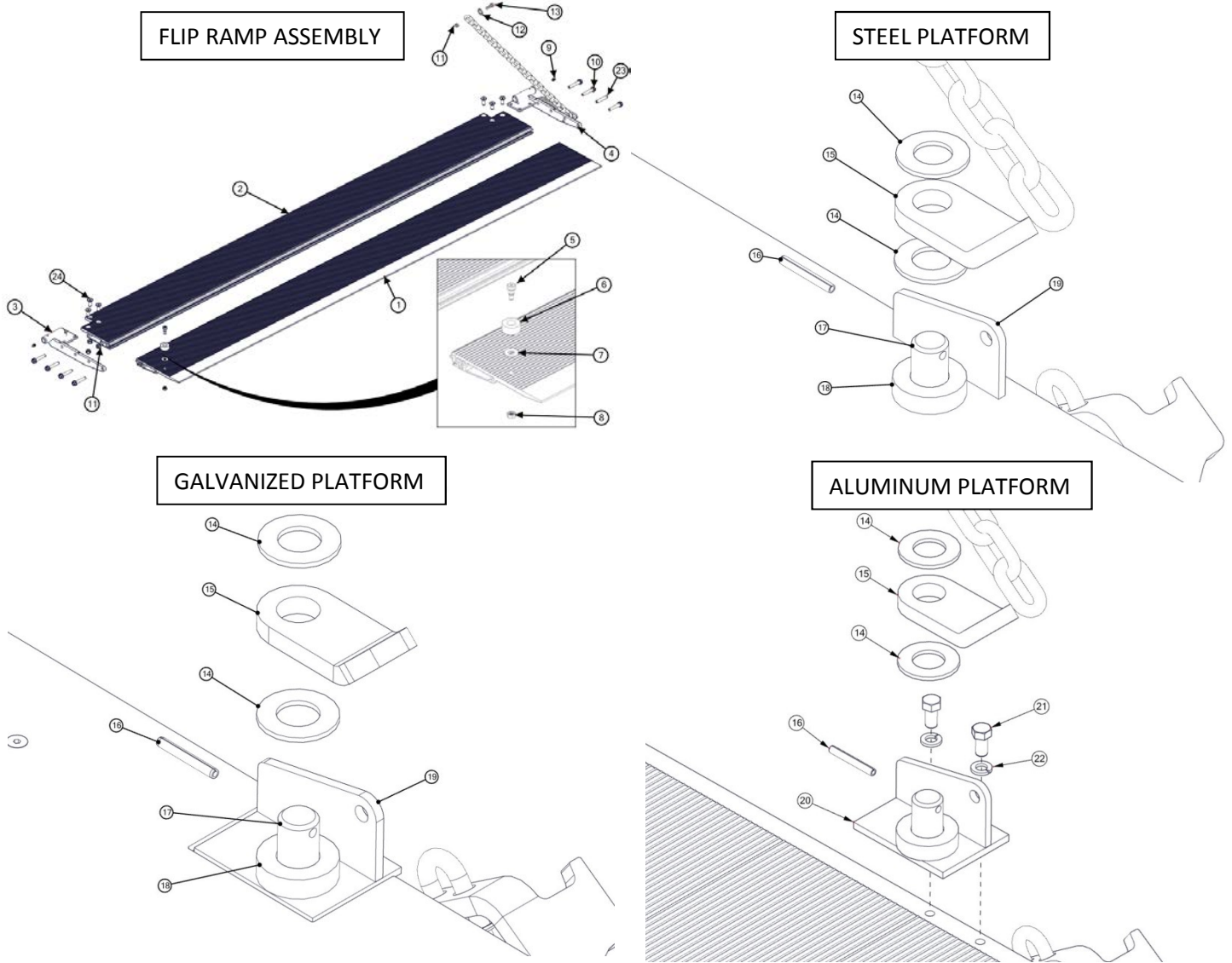
When ordering replacement platform sections, please provide the serial number

Item 25, 26, and 27 are used on both sides of the platform to adjust deck extension angle.

Part	96" Wide	102" Wide
A	42701001	42701000
B	42701011	42701010
C	42701021	42701020
D	42701031	42701030
E	42701041	42701040
F	42701051	42701050
G	42701090	
H	42701061	42701060
Hw/ C/S	42701081	42701080
J	42701071	42701070

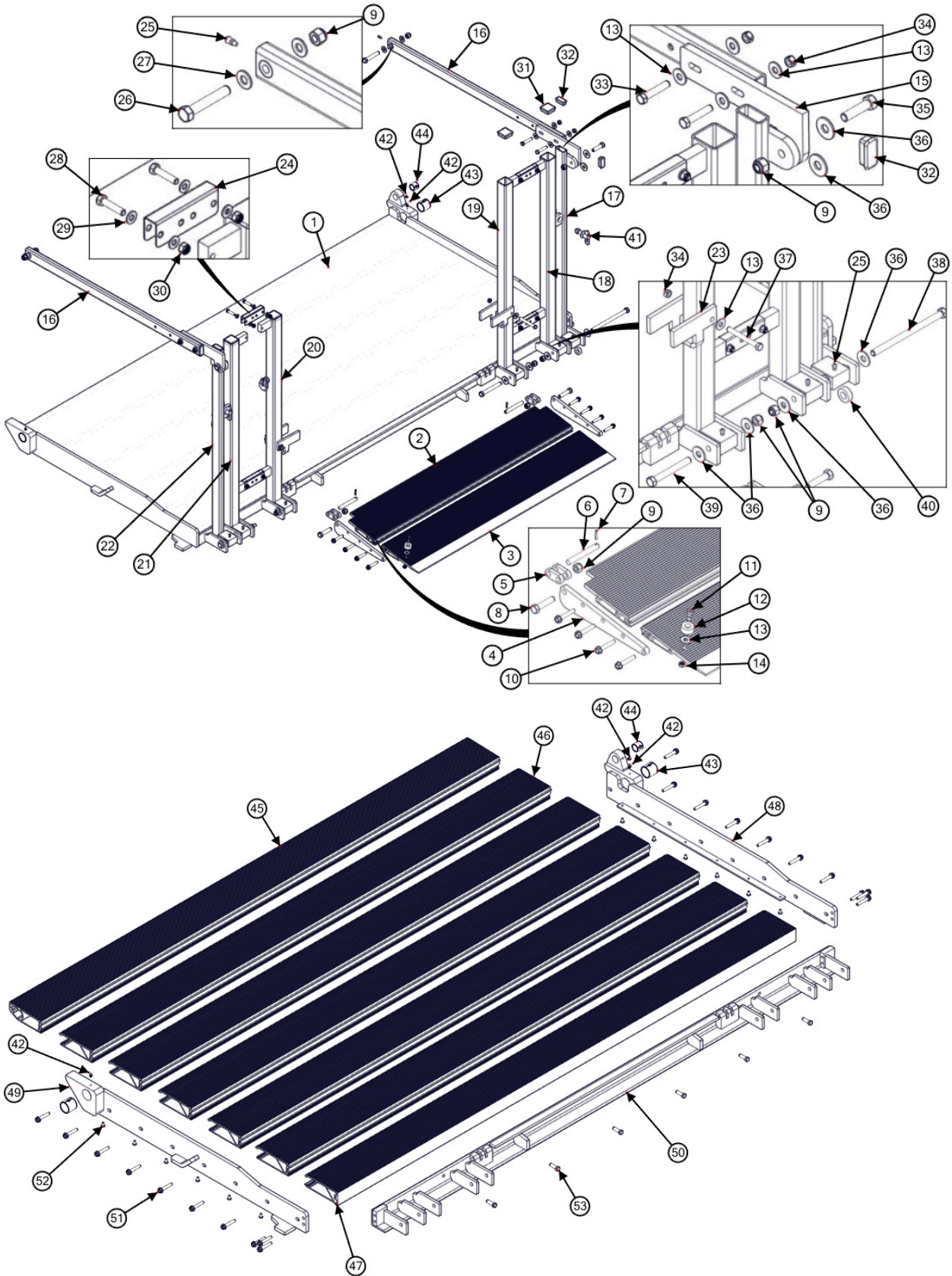
ITEM#	DESCRIPTION	60x82+12	60x82+12 C/S	72x82+16	72x82+12	72x82+12 C/S	84x82+16	60x88+12	60x88+12 C/S	72x88+16	60x82+16	60x88+16	72x88+12	72x88+12 C/S	84x88+16	QTY
1	DECK	42710111				42710110			42710101				42710102	42710100		1
2	DECK EXTENSION	42710332	42710333	42710311	42710330	42710331	42710310	42710322	42710323	42710301	42710312	42710302	42710320	42710321	42710300	1
3	SIDEPLATEWELD, MAIN_DS		42710251			42710250			42710251			42710252		42710250		1
4	SIDEPLATEWELD, MIAN_CS		42710201			42710200			42710201			42710202		42710200		1
5	SIDEPLATEWELD, RAMP_DS		42710451			42710450			42710451			42710452		42710450		1
6	SIDEPLATEWELD, RAMP_CS		42710401			42710400			42710401			42710402		42710400		1
7	NUT, 1/2"								75085162							8
8	U-BOLT								75080126							4
9	CHAIN		42695501			42695500			42695501					42695500		2
10	PIN, RUNNER HINGE								42668739							2
11	GREASEFITTING								75089306							5
12	BOLT, 3/8, TAPTITE								75087494							18/22/26
13	BUSHING, 1 1/2" ID x 1 1/2"								42668119							2
14	PLATFORM STOP								42668474							1
15	CHAIN HOLDER								42716090							2
16	BOLT 5/16" X 13/8"								75086214							4
17	LOCK NUTS/ 16"								75085177							4
18	SCREWSH, 3/8" x 1 1/4"								75085992							2
19	PINASSY, FOLDINGHINGE								42715000							2
20	LINKAGEARM WELD, CS		42716001			42716000			42716001					42716000		1
21	LINKAGEARM WELD, DS		42716051			42716050			42716051					42716050		1
22	BOLT, 3/8" x 2 1/2"								7500010-31							2
23	BUSHING, 1" ID x 1"								42625445							1
24	LOCK NUT 3/8"								75085188							4
25	PLATFORM LEVELINGBOLT								75086109							2
26	PLATFORM SHIM THICK								75088071							0-4
27	PLATFORM SHIM THIN								75088072							0-4
28	PLATFORM CAUTIONLIGHT								42613990							2
29	SCREWBH, 1/4" x 1" STAINLESS								91302990							4
30	LOCK WASHER 1/4"								75088079							4
31	SCREWSHCS, 3/8" x 2"								75086274							2

Platform-Flip Ramp



ITEM#	DESCRIPTION	PART NUMBER		QTY
		96"	102"	
1	ALUM EXT, FRONT SECTION, 16" FLIP RAMP	42714111	42714110	1
2	ALUM EXT, BACK SECTION, 16" FLIP RAMP	42714103	42714104	1
3	FLIP RAMP HINGE, DS	42714253		1
4	FLIP RAMP HINGE W/ CHAIN, CS	42714201		1
5	SHOULDER SCREW, 3/8" DIA x 3/8" x 5/16-18	7500019-4		1
6	CART STOP PLASTIC BUSHING	42669299		1
7	WASHER 7/16" ID 1" OD	75088053		1
8	LOCK NUT 5/16"	75085187		1
9	GREASE FITTING	75089306		2
10	BOLT, 3/8, TAPTITE	75087494		7
11	LOCK NUT 3/8"	75085188		7
12	3/8" WASHER	75088053		1
13	BOLT 3/8" X 1"	7500010-6		1
14	FLIP RAMP WASHER	75088061		2
15	FLIP RAMP LATCH	42713900		1
16	SPRING PIN 1/4" x 1 7/8"	75089541		1
17	FLIP RAMP LATCH PIVOT PIN (STEEL AND GALV PLATFORMS)	42668429		1
18	FLIP RAMP LATCH PIVOT PIN BASE (STEEL AND GALV PLATFORMS)	42668428		1
19	FLIP RAMP CHAIN ANCHOR PLATE (STEEL AND GALV PLATFORMS)	42713300		1
20	FLIP RAMP LATCH BASE ASSEMBLY (ALUMINUM PLATFORMS)	42713320		1
21	BOLT 3/8" x 3/4" (ALUMINUM PLATFORMS)	75086055		2
22	LOCK WASHER 3/8" (ALUMINUM PLATFORMS)	75088081		2
23	SET SCREW, SOCKET, 3/8-16 X 2"	7500047-7		1
24	SCREW, HEX FLAT HEAD, 3/8-16 X 1-1/4"	75085992		6

WDVBG PLATFORMS

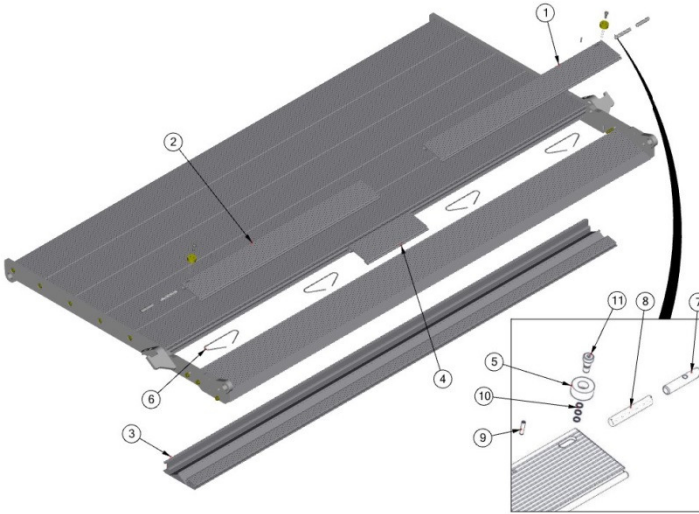


ITEM #	DESCRIPTION	36X82, STEEL	36X88, STEEL	42X82, STEEL	42X88, STEEL	36X82, ALUM	36X88, ALUM	42X82, ALUM	42X88, ALUM	QTY
1	PLATFORM DECK	42711031	42711021	42711030	42711020	42710131	42710121	42710130	42710120	1
2	ALUMINUM EXTRUSION, BACK, FLIP RAMP					42714102 ^A				1
3	ALUMINUM EXTRUSION, FRONT, FLIP RAMP					42714112 ^A				1
4	SIDE RAIL, FLIP RAMP					42714256 ^A				2
5	LINK BAR, FLIP RAMP					42714291 ^A				4
6	PIN, FLIP RAMP					42714300 ^A				2
7	COIL PIN, 3/16" X 1"					75089547 ^A				2
8	HEX BOLT, 1/2-13 X 2.25					7500010-33 ^A				2
9	NYLOCK NUT, 1/2-13					75085162 ^A				10
10	HEX SCREW 3/8" X 2" TAPTITE 2000					75087494 ^A				8
11	SOCKET HEAD SHOULDER BOLT, 3/8"					7500019-4 ^A				1
12	ROLL STOP BUSHING					42669299 ^A				1
13	FLAT WASHER, 3/8"					75088053 ^A				11
14	HEX NUT, 5/16-18, CENTERLOCK					75085187 ^A				1
15	BOLT-ON BRACKET, FENCE HINGE					42668948				2
16	UPPER RAILING ARM					42795400				2
17	RAILING SIDE WELDMENT, CS					42795100				1
18	OUTSIDE FENCE WELDMENT, CS					42795200				1
19	INSIDIE FENCE WELDMENT, CS					42795300				1
20	INSIDIE FENCE WELDMENT, DS					42795350				1
21	OUTSIDE FENCE WELDMENT, DS					42795250				1
22	RAILING SIDE WELDMENT, DS					42795150				1
23	FLIP RAMP LATCH					42669172				2
24	CENTER CAP, RAILING					42795500				4
25	GREASE ZERK					75089303				8
26	HEX BOLT, 1/2-13 X 3.0					7500010-42				2
27	FLAT WASHER, 1/2", NARROW					75088067				4
28	HEX BOLT, 5/16-18 X 1.5					7500010-16				8
29	FLAT WASHER, 5/16"					75088052				16
30	NYLOCK NUT, 5/16-18					75085177				8
31	PLUG, FOR 2"X2" TUBE					75089592				4
32	PLUG, FOR 2"X1" TUBE					75089593				4
33	HEX BOLT, 3/8-16 X 2.0					7500010-22				4
34	HEX NUT, 3/8-16, CENTERLOCK					75085188				6
35	HEX BOLT, 1/2-13 X 2.0, GR 8					7500010-18				2
36	FLAT WASHER, 1/2"					75088056				12
37	HEX BOLT, 3/8-16 X 3.5					75086067				2
38	HEX BOLT, 1/2-13 X 8.0					7500010-24				2
39	HEX BOLT, 1/2-13 X 4.25					7500010-25				2
40	NYLON ROLLER					42630276				2
41	ANTILUCE, 1/2" BOLT-ON					75089594				2
42	GREASE ZERK					75089306				3
43	BUSHING, 1.5 ID X 1.5 LONG					42668119				2
44	BUSHING, 1.0 ID X 1.0 LONG					42700099				1
45	ALUM EXTRUSION, STARTER		N/A			42701002	42701003	42701002	42701003	1
46	ALUM EXTRUSION, CENTER		N/A			42701013	42701012	42701013	42701012	36"=4'42"=5
47	ALUM EXTRUSION, END MAIN		N/A			42701053	42701052	42701053	42701052	1
48	SIDE PLATE ASSEMBLY, CS		N/A			42710411	42710411	42710410	42710410	1
49	SIDE PLATE ASSEMBLY, CS		N/A			42710461	42710461	42710460	42710460	1
50	RAILING CLEVIS WELDMENT		N/A			42717050	42717000	42717050	42717000	1
51	HEX SCREW 3/8" X 2" TAPTITE 2000		N/A				75087494			36"=18/42"=20
52	RIVET, 1/4", BLIND		N/A				75089481			12
53	HEX BOLT, 3/8-16 X 1.25, GR 8		N/A				75086218			6

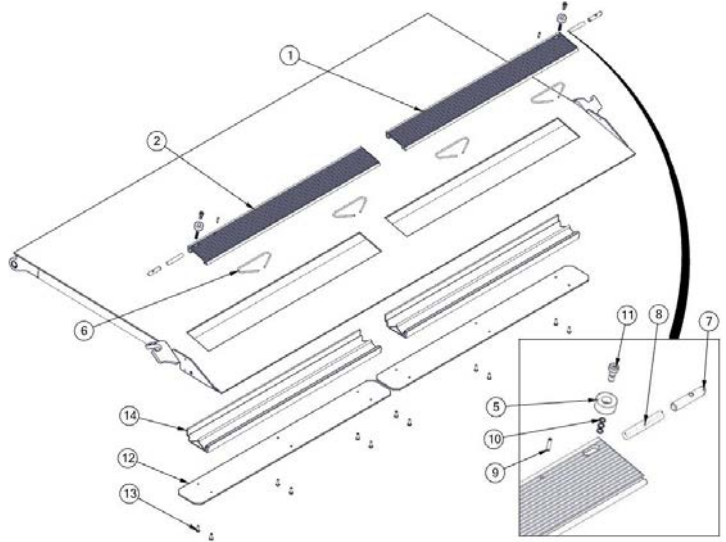
^A Items are included in complete flip ramp kit, 42714002

Platform-Cart Stop

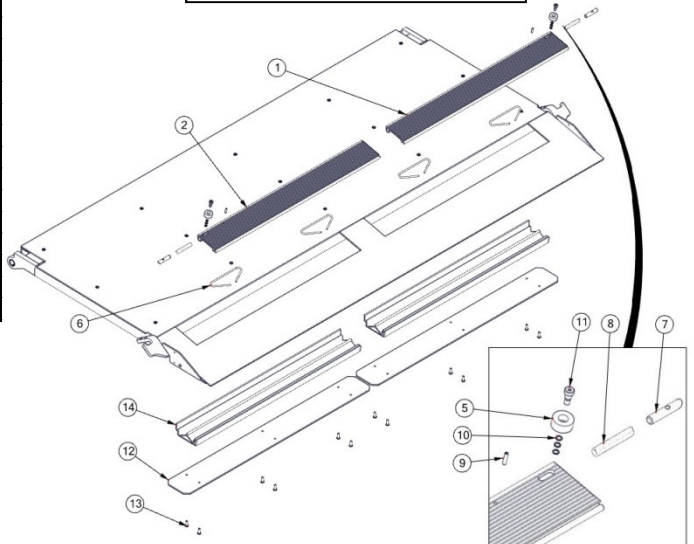
ALUMINUM PLATFORM



STEEL PLATFORM

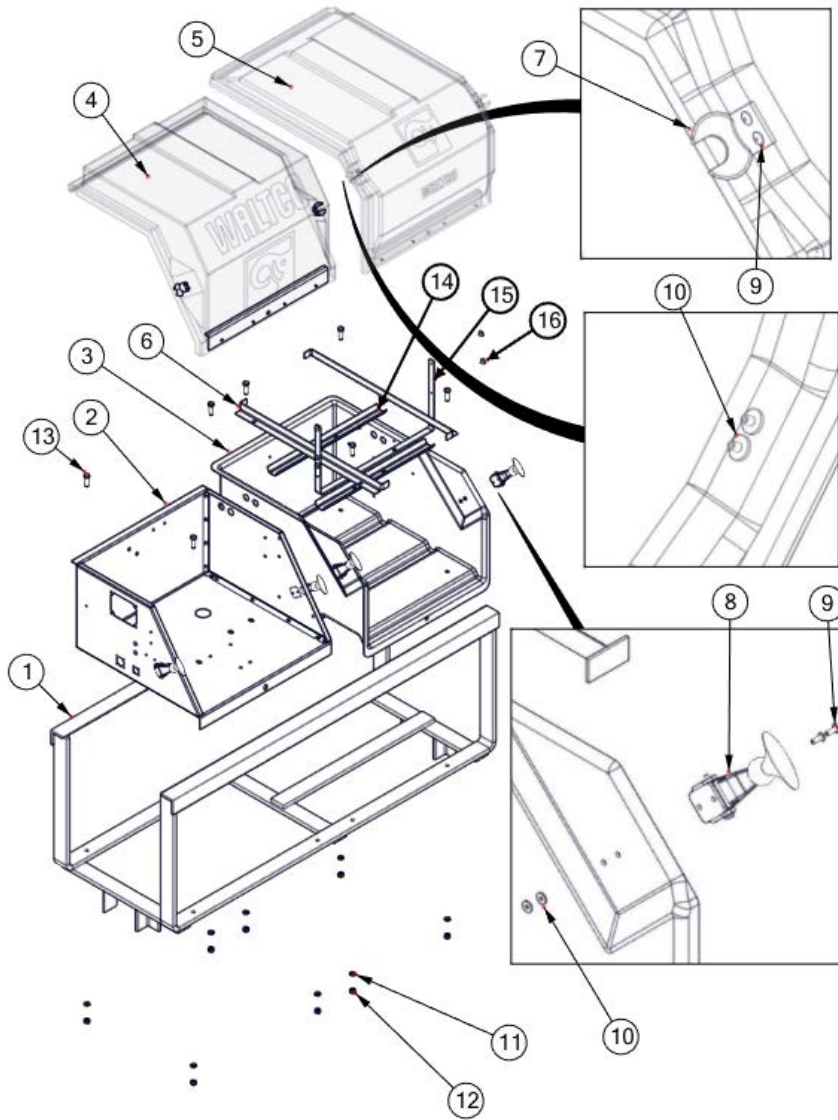


GALVANIZED PLATFORM



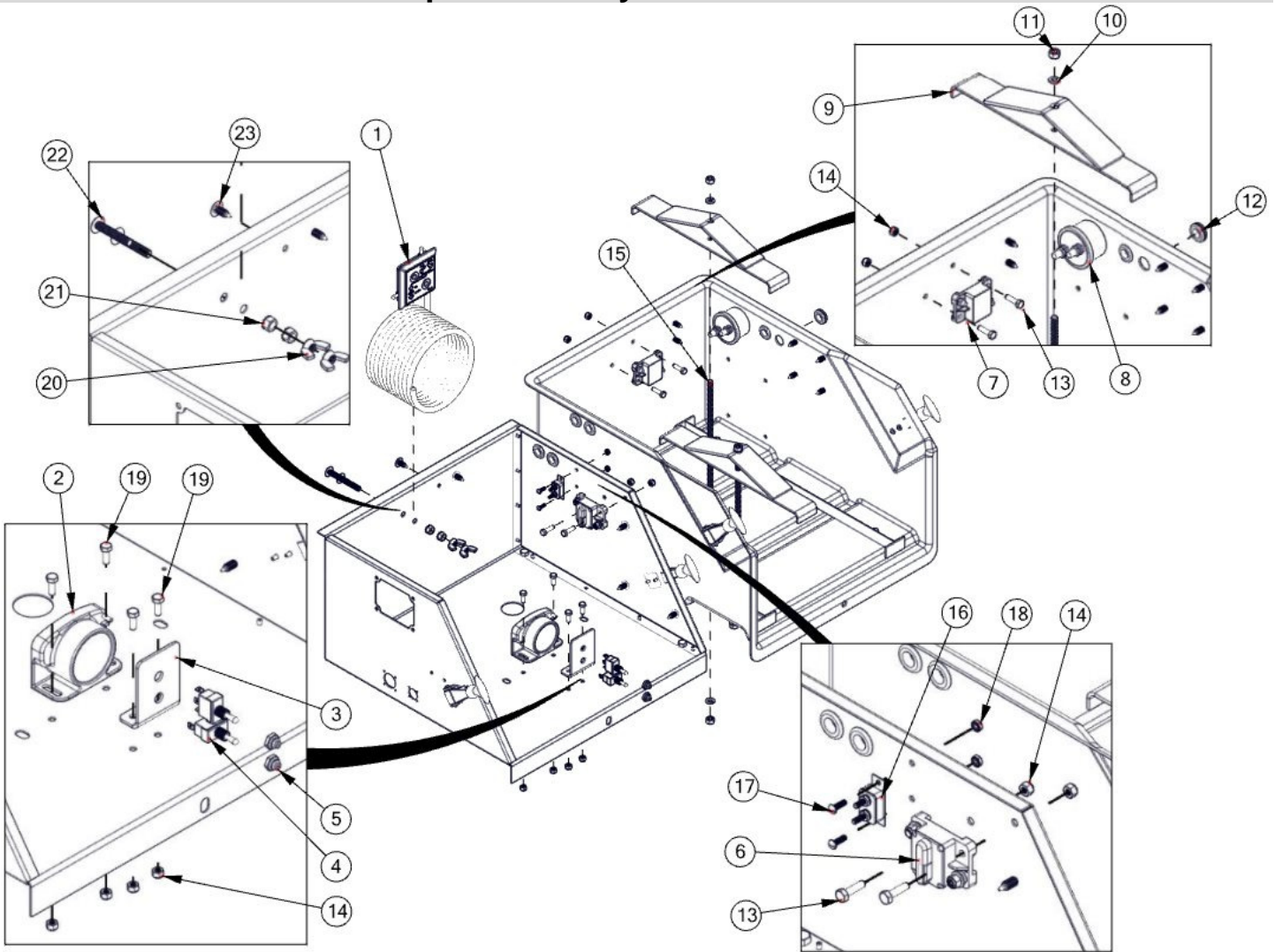
ITEM#	DESCRIPTION	PARTNUMBER		QTY
		96"	102"	
1	AL EXT CART STOP TOP CS		42669012	1
2	AL EXT CART STOP TOP DS		42669011	1
3	AL EXT CART STOP BOTTOM	42701081	42701080	1
4	AL EXT CART STOP CENTER	42701091	42701092	1
5	CART STOP PLASTIC BUSHING		42669299	2
6	CART STOP SPRING		42668440	4
7	CART STOP LATCH PIN		42669014	2
8	CARTS STOP LATCH SPRING		75088268	2
9	COIL PIN, 3/16" x 7/8"		75089591	2
10	CART STOP SCREW SHIM		42669286	6
11	SHOULDER SCREW, 3/8" DIA x 3/8" x 5/16-18		7500019-4	2
12	CART STOP BASEPLATE (FOR STL AND GALV PLATFORMS ONLY)	42713811	42713810	2
13	RIVET, 1/4", 3/8- 1/2", STL (FOR STL AND GALV PLATFORMS ONLY)		75089475	12
14	AL EXT BOTTOM INSERT (FOR STL AND GALV PLATFORMS ONLY)		42668920	2

Pump and Battery Box-Components



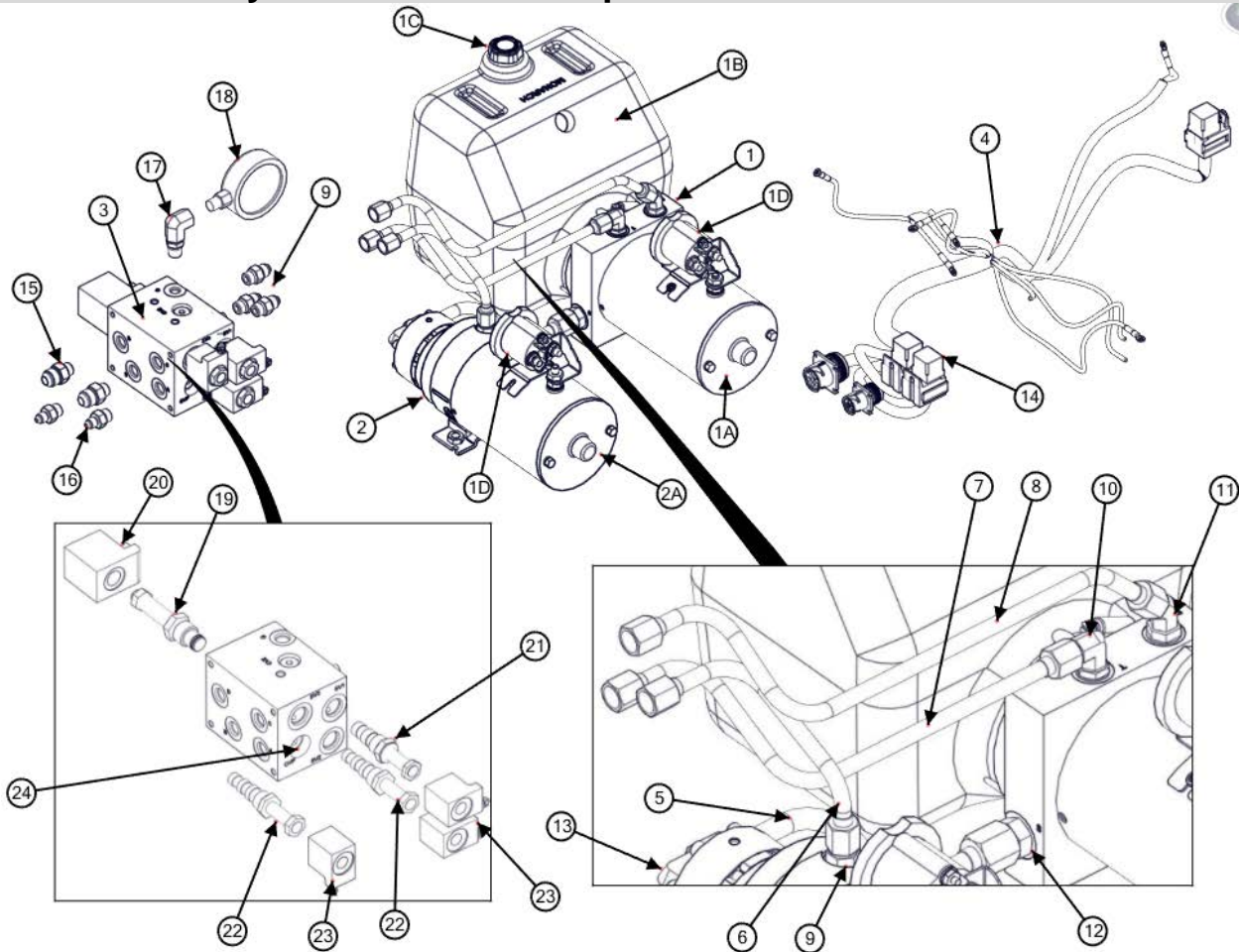
ITEM#	DESCRIPTION	PART NUMBER	QTY
1	PUMP AND BATTERY BOX CRADLE	42791300GV	1
2	PUMP BOX W/ LATCHES	42791160GV	1
3	BATTERY BOX WITH LATCHES	42791120	1
4	PUMP BOX LID W/ LATCH POINTS	31590902	1
5	BATTERY BOX LID W/ LATCH POINTS	42791110	1
6	BATTERY SUPPORT BRACKET	42791190	2
7	LATCH LOCKING BRACKET	75089744	4
8	LATCH HANDLE ASSEMBLY	27391301	4
9	RIVET 5/32", 1/4"-3/8" GRIP, AL	75089437	16
10	BACKING WASHER, 5/32" RIVET, AL	75088042	12
11	LOCK WASHER 3/8"	75088081	8
12	NUT 3/8"	75085096	8
13	BOLT, 3/8" x 1 1/4"	75086218	8
14	RIB, BATTERY BOX	42791195	2
15	STRAP, BATTERY BOX	42791196	1
16	RIVET 3/8", 1/8"-1/4" GRIP, STEEL	75089448	4

Pump and Battery Box-Accessories



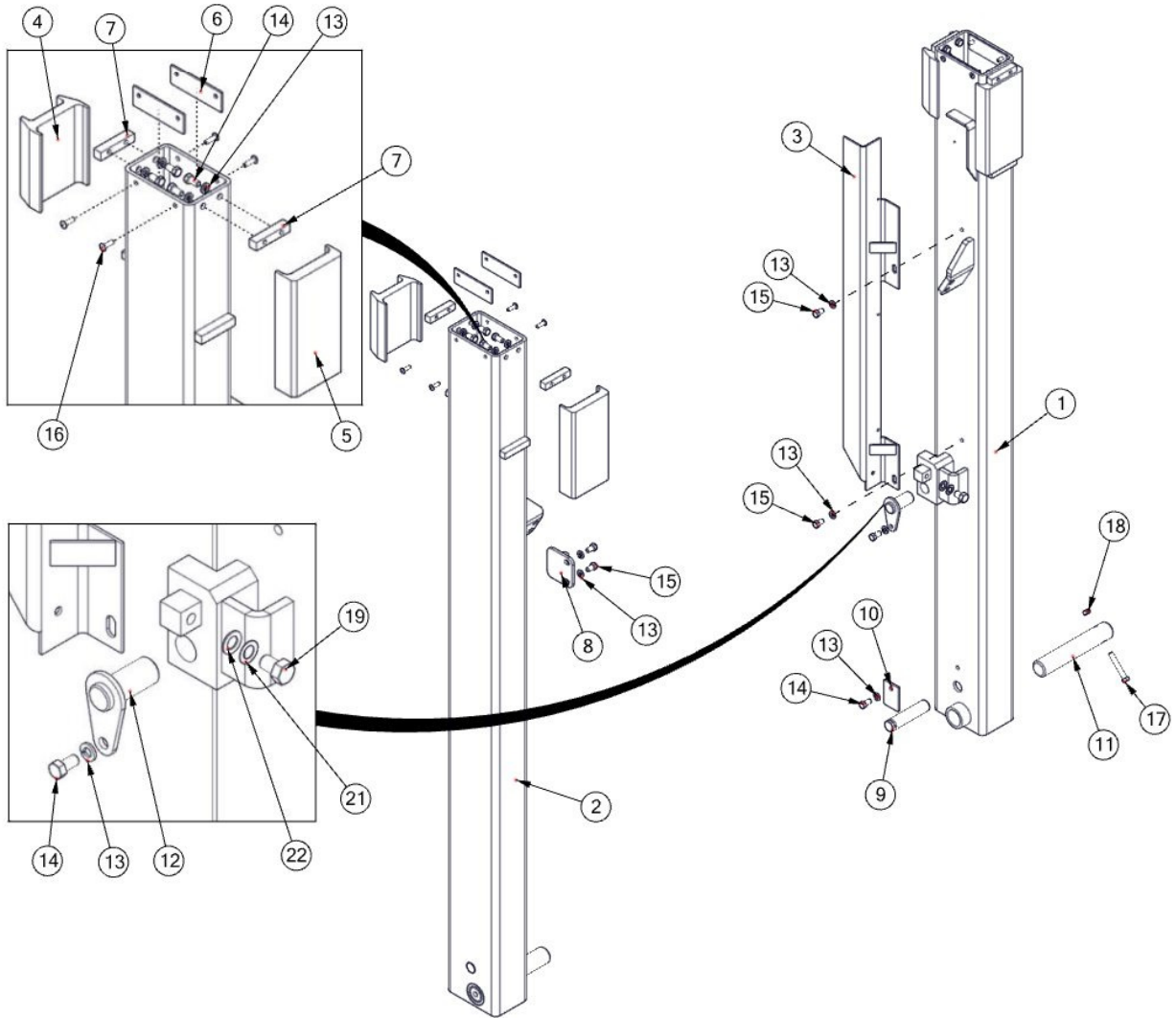
ITEM#	DESCRIPTION	PART NUMBER		QTY
		SINGLEPUMP	DUAL PUMP	
1	BACKUP CONTROLS W/ 36 FT EXTENTION	NOT INCL.	42694100	1
2	AUX MOTOR USAGE ALARM	NOT INCL.	75089477	1
3	SWITCH MOUNTING BRACKET	42694215		0/1
4	TOGGLE SWITCH, ON-ON	75089809		0/1/2
5	TOGGLE SWITCH SEAL	75089478		0/1/2
6	150 AMP BREAKER, MANUAL RESET	75089243		1
7	150 AMP BREAKER, AUTORESET	75089470		1
8	MASTER DISCONNECT SWITCH	75089790		1
9	BATTERY HOLD DOWN BRACKET	42669036		1/2
10	LOCK WASHER 3/8"	75088081		2/4
11	NUT 3/8"	75085096		2/4
12	GROMMET, 5/8" ID, 7/8" HOLE	7500072-1		6
13	BOLT 1/4" x 1"	75086006		4
14	LOCK NUT 1/4"	75085161		6/8
15	THREADED ROD 3/8" x 12"	42669079		1/2
16	15 AMP CIRCUIT BREAKER	75089460		1
17	SCREW, 10-32 x 5/8"	75086707		5
18	NUT 10-32, SERRATED	75085000		5
19	BOLT 1/4" x 1"	75086062		4
20	WING NUT 3/8"	NOT INCL.	75085148	0/2
21	NUT 3/8" M SERRATED	NOT INCL.	75085005	0/2
22	TRUSS HEAD BOLT 3/8" x 2"	NOT INCL.	75085891	0/2
23	HOLE PLUG 5/16"	75080064		9-13

Hydraulic Power Components and Harnesses



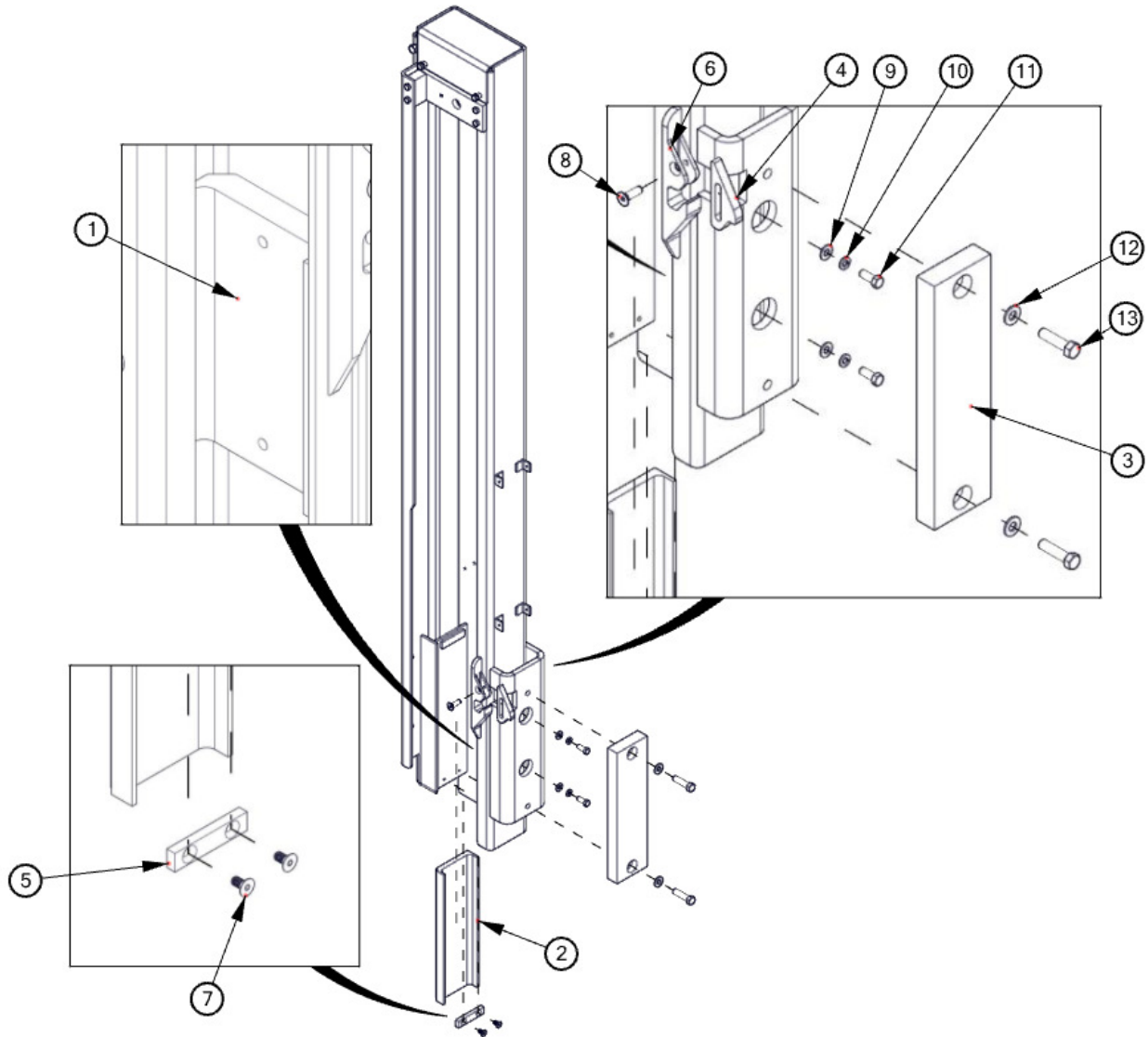
ITEM#	DESCRIPTION	PART#	QTY			
			SINGLE PUMP		DUAL PUMP	
			POWER DOWN	GRAVITY DOWN ON DEMAND	POWER DOWN	GRAVITY DOWN ON DEMAND
1	PRIMARY PUMP ASSEMBLY W/ TANK	70427800	1	1	1	1
1A	MOTOR, PRIMARY PUMP	7043002-1	1	1	-	-
1B	RESERVIOR	70401480	1	1	1	1
1C	BREATHER CAP	70091734	1	1	1	1
1D	MOTOR SOLENOID	70092403	1	1	2	2
2	SECONDARY BACKUP PUMP ASSEMBLY	70427851	-	-	1	1
2A	MOTOR, AUXILLARY PUMP	70430696	-	-	1	1
3	WDV VAVLE BLOCK ASSEMBLY COMPLETE	70427890	1	1	1	1
4	MAIN WIRING HARNESS	42669280	1	-	1	-
		42694226	-	1	-	1
5	SECONDARY PUMP SUCTION LINE	42784010	-	-	1	1
6	SECONDARY PRESSURE LINE	42784020	-	-	1	1
7	PRIMARY RETURN LINE	42784030	1	1	1	1
8	PRIMARY PRESSURE LINE	42784040	1	1	1	1
9	ADAPTER, #6 ORB M X #6 JIC M	75082882	3	3	4	4
10	ELBOW, 90, #6 JIC M X #6 ORB M	75082869	1	1	1	1
11	ELBOW, 45, #6 ORB M X #6 JIC M	75082866	1	1	1	1
12	ADAPTER, #8 ORB M X #8 JIC M	75088265	-	-	1	1
13	ELBOW, 90, #8 JIC M X #8 ORB M	75083369	-	-	1	1
14	RELAY, 5 PRONG	42620870	2	3	2	3
15	ADAPTER, #8 JIC M X #6 ORB M	75083368	2	2	2	2
16	ADAPTER, #4 JIC M X #6 ORB M	75083365	2	2	2	2
17	ELBOW, 90, #6 ORB M X 1/4 NPT F	75082897	1	1	1	1
18	PRESSURE GAUGE, 0-6000 PSIG	75089476	1	1	1	1
19	CARTRIDGE, 2W/2P, NC, POPPET, 3500	70401481	1	1	1	1
20	COIL, 12VDC, #10, DUAL STUD, RD	70401484	1	1	1	1
21	CARTRIDGE, 3W/2P, #8	70401483	1	1	1	1
22	CARTRIDGE, 4-W/2-P, #8, 1/2in STEM	70401212	2	2	2	2
23	COIL, 10VDC, GROUNDED, SINGLE STUD	U16761	3	3	3	3
24	P.O. CHECK VALVE ASSEMBLY	80001481	1	1	1	1

Runner Assembly



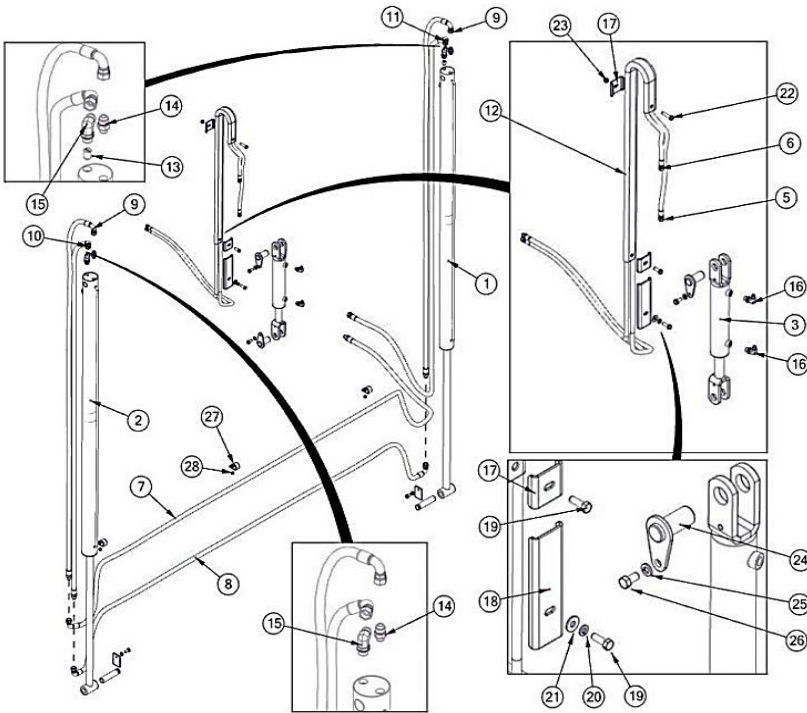
ITEM#	DESCRIPTION	PART NUMBER		QTY
		BLACK	GALVANIZED	
1	RUNNER WELD, CS	42722100	42722100GV	1
2	RUNNER WELD, DS	42722150	42722150GV	1
3	HOSE GUARD	42700020	42700020GV	1
4	WEAR PAD, UPPER BACK	42797140		2
5	WEAR PAD, UPPER FRONT	42797130		2
6	CYLINDER SUPPORT PAD	42797150		4
7	UPPER PAD STOP	42722920		4
8	PLATFORM STOP	42669394	42669394GV	1
9	CYLINDER PIN, LOWER	42668033		2
10	CYLINDER PIN LOCK TAB	42668018		2
11	PIN, RUNNER HINGE	42668739		2
12	OPEN/CLOSE CYLINDER PIN	42669233		1
13	LOCK WASHER 3/8"	75088081		15
14	BOLT 3/8" x 3/4"	75086055		11
15	BOLT 3/8" x 5/8"	7500010-15		3
16	RIVET 1/4", 1/2"-5/8" STEEL	75089475		8
17	BOLT 3/8" x 2.5	7500010-31		2
18	LOCKNUT 3/8"	75085188		2
19	BOLT 1/2" x 3/4"	75086109		1
20	PLATFORM SHIM THIN	75088072		0-2
21	PLATFORM SHIM THICK	75088071		0-2

Column Parts



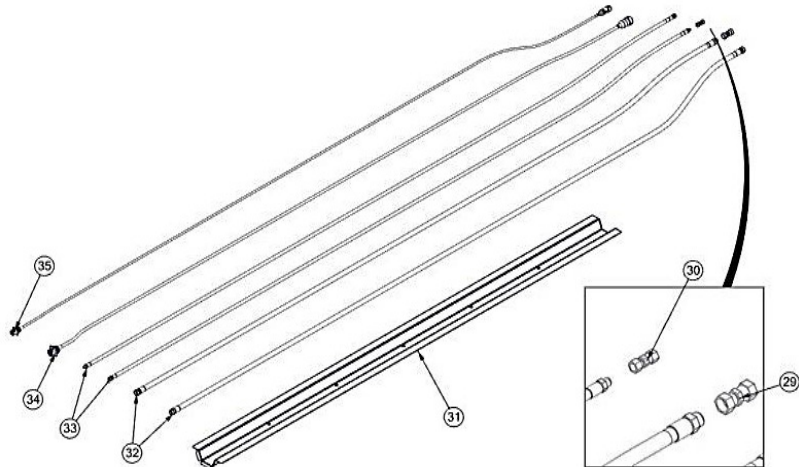
ITEM #	DESCRIPTION	PARTNUMBER	QTY
1	WEAR PAD, LOWER FRONT	42797120	2
2	WEAR PAD, LOWER BACK	42797110	2
3	DOCK BUMPER PAD	42797100	2
4	TRAVEL LATCH CAM	42668786	1
5	LOWER WEAR PAD STOP	42797200	2
6	TRAVEL LATCH	42721900	1
7	SCREW, FLATHEAD, 5/16" X 5/8" W/ PATCH	75085993	4
8	SCREW, FLATHEAD, 3/8" X 1-1/4"	75085992	1
9	WASHER 3/8"	75088255	4
10	LOCK WASHER 3/8"	75088081	4
11	BOLT 3/8" X 1"	75086056	4
12	WASHER 1/2"	75088067	4
13	BOLT 1/2" X 2"	7500010-1	4

Cylinders, Hoses, Fittings and Extension Cable



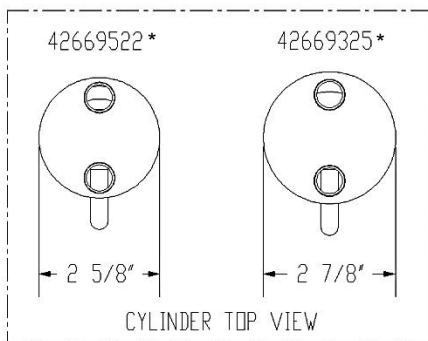
1	LIFT CYLINDER 2 5/8", CS	42669522	1
	LIFT CYLINDER 2 3/4", CS, WHITE CAP	42669522-B*	
2	LIFT CYLINDER 2 7/8" OD, DS	42669325	1
	LIFT CYLINDER 3" OD, DS, WHITE CAP	42669325-B*	
3	OPEN/CLOSE CYLINDER	42668738	1
	SEAL KIT FOR 42668738	42668740	
4	KIT, HOSE AND SWITCH	42669110	1
5	HOSE, HP, 3/16" x 98"	75089466	1
6	HOSE, HP, 3/16" x 90"	75089469	1
7	HOSE, HP, 1/2" x 124", MALE	42700100	1
8	HOSE, HP, 1/2" x 106"	42700110	1
9	HOSE, HP, 1/2" x 90.5"	75083127	2
10	HOSE, HP, 1/2" x 87"	75083128	1
11	HOSE, HP, 1/2" x 122", FEMALE	75083129	1
12	SLEEVE, PROTECTION	42669046	1
13	VALVE, PCFV	70402312	1
14	FITTING, SAE #6 ORB X 1/2 JICM	75083368	2
15	FITTING, 90, SAE #8 ORB X 1/2 JICM	75083369	2
16	FITTING, 90, 9/16" X 1/4 JICM, RESTRICTED	75082888	2
17	HOSE RETAINING BRACKET, 2"	42668417	2
18	HOSE RETAINING BRACKET, 7"	42668763	1
19	BOLT 5/16" x 1"	75085035	2
20	LOCK WASHER 5/16"	75088080	1
21	WASHER 5/16"	75088052	1
22	BOLT 5/16 x 1 1/2"	7500010-16	1
23	LOCK NUT 5/16"	75085177	1
24	OPEN/CLOSE CYLINDER PIN	42669233	2
25	LOCK WASHER 3/8"	75088081	2
26	BOLT 3/8" x 3/4"	75086055	2
27	HOSE RETENTION CLAMP	75082886	3
28	LOCK NUT 1/4"	75085161	3
29	UNION SWIVEL #8 JIC X #8 JIC	75088266	1
30	UNION SWIVEL #4 JIC X #4 JIC	75083366	1

*Cylinders have white cap with decal of part number.



ITEM#	DESCRIPTION	PART NUMBER	TRAILER LENGTH		
			LESS THAN 33 FT	33-43 FT	MORE THAN 42 FT
			QTY	QTY	QTY
31	HOSEGUIDE	42668380	1	2	2
32	HOSE, HP, 1/2" x 13 FT	42669313	2	-	-
	HOSE, HP, 1/2" x 17 FT	75083137	-	2	-
	HOSE, HP, 1/2" x 26 FT	42669314	-	-	2
33	HOSE, HP, 1/4" x 13 FT	42669180	2	-	-
	HOSE, HP, 1/4" x 17 FT	75083136	-	2	-
	HOSE, HP, 1/4" x 26 FT	42669184	-	-	2
	EXTENSION 6 WIRE, 13 FT	42669183	1	-	-
34	EXTENSION 6 WIRE, 17 FT	42694223	-	1	-
	EXTENSION 6 WIRE, 26 FT	42669187	-	-	1
	EXTENSION 3 WIRE, 13 FT	42669182	1	-	-
35	EXTENSION 3 WIRE, 17 FT	42694222	-	1	-
	EXTENSION 3 WIRE, 26 FT	42669186	-	-	1

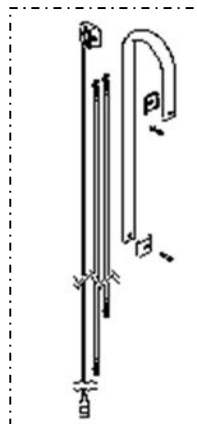
CYLINDER CHART



*Cylinders may have white cap with decal of part number with "-B" at the end.

Sleeve Replacement Kit

Hoses and switch wire are pre-assembled in sleeve.



4

#4 Kit 42669110 includes:

- 1 x 42669046 Hose, 40" long
- 1 x 42669137 Switch, molded, up/down, 116"
- 1 x 75089466 Hose, 3C1T, 3/16 x 98"
- 1 x 75089469 Hose 3C1T, 3/16 x 90"

Chapter 5- Placement of Decals

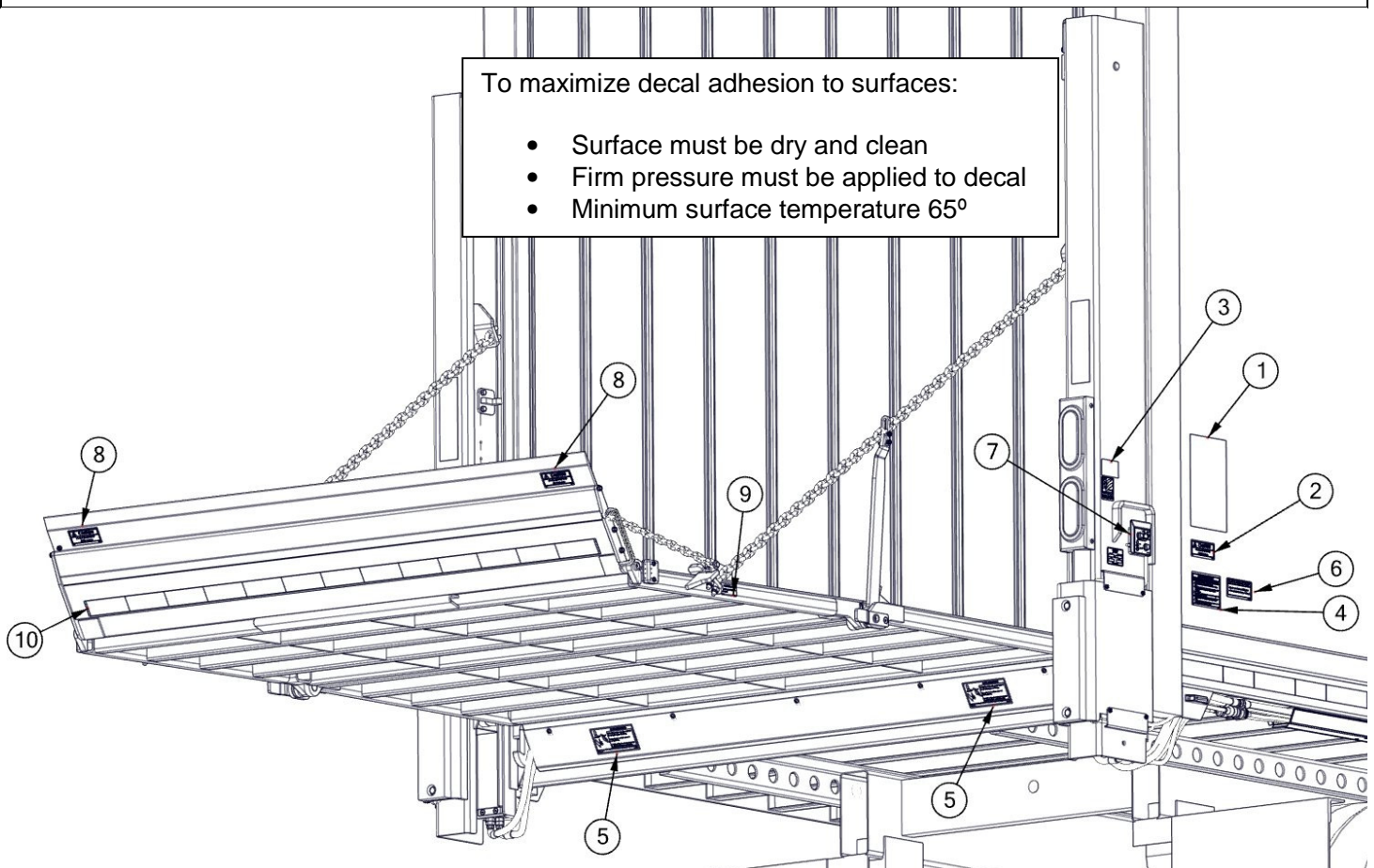


All decals must be in place and legible or all warranties are void.

Properly placed warning decals are an essential part of your safety program. Check that all safety decals are in place and are legible. Any missing decals **MUST** be replaced immediately. Replacement decals may be obtained **FREE** of charge from your distributor or by phoning, writing, or faxing Waltco Part Sales.



If your liftgate is equipped with dual controls, an additional Safety Instruction decal (80100850) is to be placed in a conspicuous place near the second set of controls.



ITEM#	DESCRIPTION	WDV35	WDV45	WDV55	WDV66	WDVWITH+16 FLIP RAMP	QTY
1	OPERATING INSTRUCTIONS			80101538			1
2	WARNING, KEEP CLEAR			75089296			2
3	WARNING, MAXCAPACITY	80100586	80100261	80101308	80101309		2
4	URGENT WARNING			80100850			1
5	DEANGER, LIFTGATE CAN CRUSH			80101370			2
6	SAFETY, OPEN AND CLOSE			80101537			1
7	OPEN AND CLOSE DECAL			80101539			1
8	WARNING, KEEP CLEAR					75086296	2
9	FLIP RAMP STORAGE					80100482	1
10	CONSPICUITY TAPE FOR 96" WDV					82021067 (73.5")	1
	CONSPICUITY TAPE FOR 102" WDV					82021067 (78.5")	1

IMPORTANT

WARNING

Improper operation and maintenance of this liftgate could result in severe personal injury or death.

Read and understand the contents of liftgate Owner's manual and all warning and operation decals before operating and/or performing maintenance on this liftgate.

For SAFETY information on this liftgate see Chapter 1 of Owner's manual