

Hiab 022 T

Capacity 2.2 tm



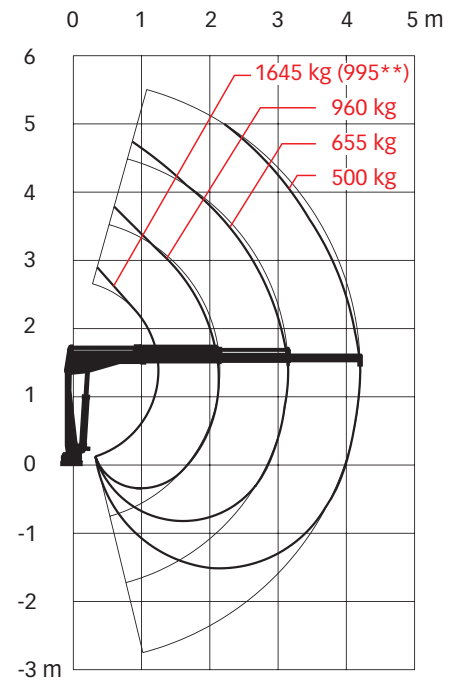
Hiab 022 T Technical data

Technical data	022 T-1	022 T-2	022 T-3
Max. lifting capacity (kNm)	21.4	21.2	20.5
Outreach, hydraulic extensions (m)	2.15	3.15	4.2
Hydraulic boom extensions (m)	0.9	1.9	2.9
Extension cylinder pulling force (kN)	20.7	12.6	12.6
Extension cylinder pushing force (kN)	32.3	20.7	20.7
Outreach, manual extensions (m)	4.2	4.2	-
Max. lifting height above installation level - with manual extensions (m)*	4.5	4.5	-
Outreach / lifting capacity (m/kg)	1.25 / 1730 (995**)	1.25 / 1730 (995**)	1.3 / 1645 (995**)
	2.15 / 1010	2.15 / 1010	2.2 / 960
	3.15 / 690	3.15 / 690	3.2 / 655
	-	-	4.2 / 500
Outreach / lifting capacity, manual extension (m/kg)	4.2 / 510	4.2 / 510	-
Recommended oil flow (l/min)	7.5	7.5	7.5
Power needed at rec. oil flow (kW)	2.2	2.2	2.2
Max. working pressure (MPa)	17.5	17.5	17.5
Slewing angle (°)	330	330	330
Max. slope viable at full capacity (°)	5	5	5
Slewing torque, gross (kNm)	3.5	3.5	3.5
Slewing speed (°/s)	9	9	9
Lifting speed at standard hydraulic outreach (m/s)	0.24 (2.15m)	0.36 (3.15m)	0.47 (4.2m)
Height in folded position (mm)	1440	1440	1440
Width in folded position (mm)	695	695	695
Weight, standard version (kg)	205	215	245

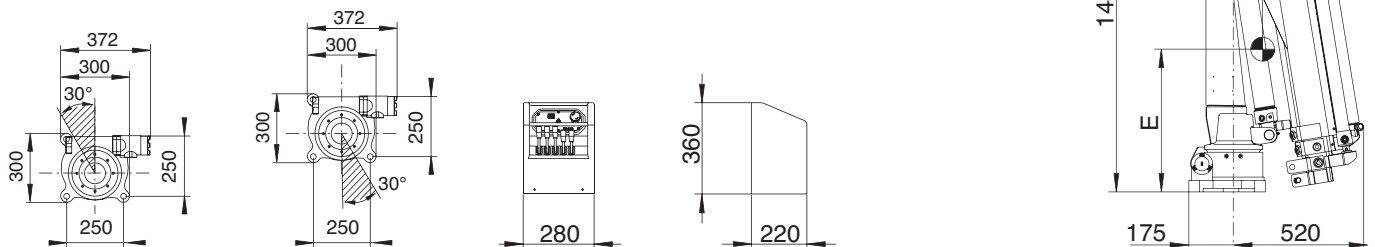
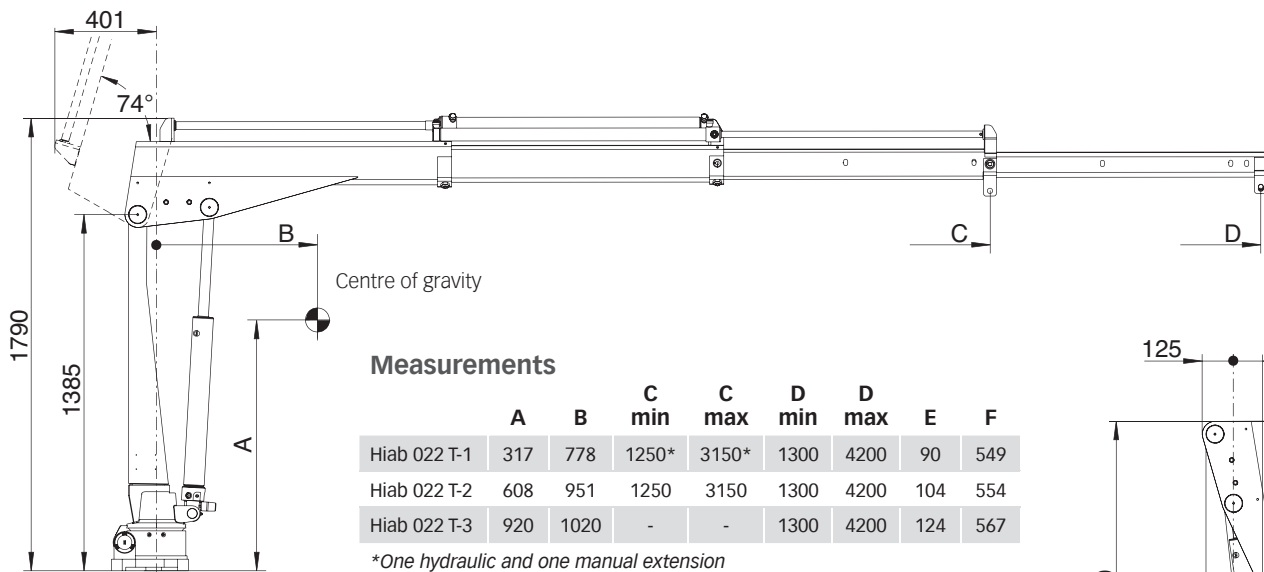
*One hydraulic and one manual extension

** For crane with rated capacity indicator

Load diagram

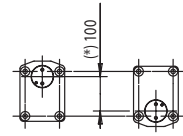
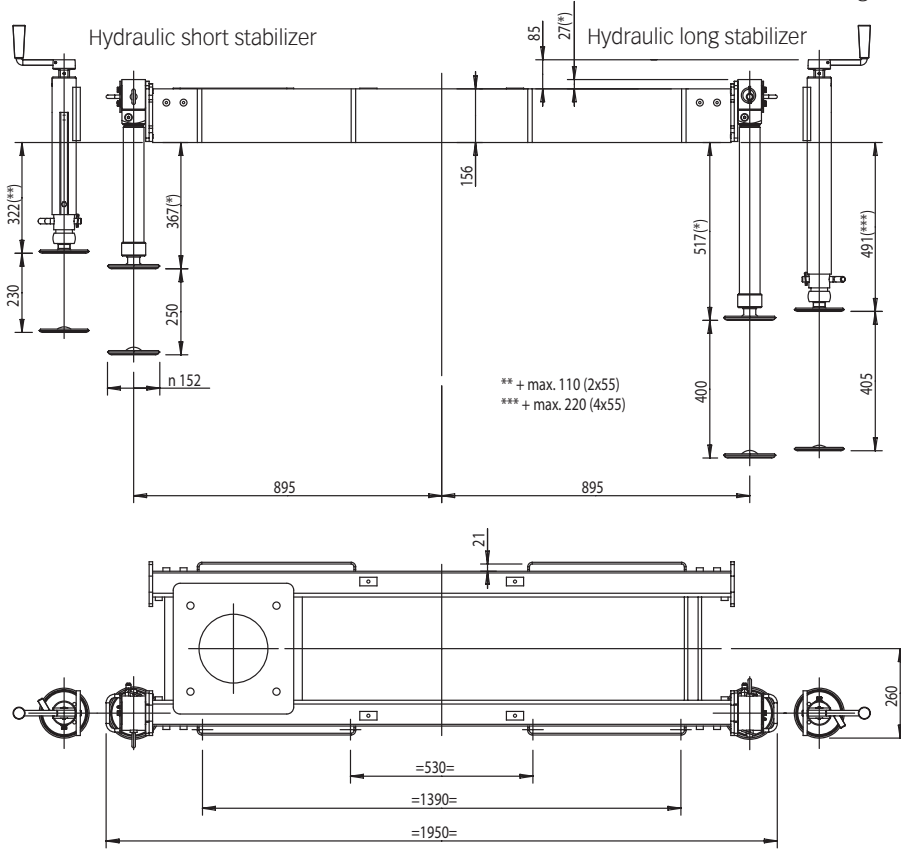


Hiab 022 T



Hiab 022 T Fixed stabilizer

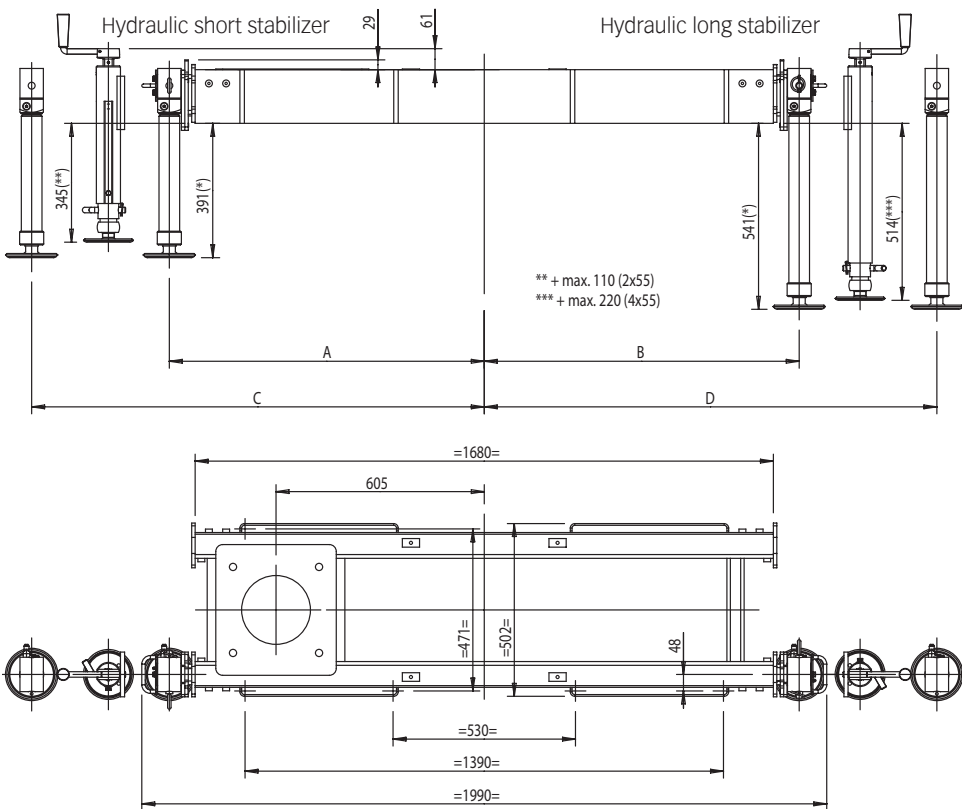
Manual short stabilizer Manual long stabilizer



Alternative mounting position tilting kit

Hiab 022 T Extension stabilizer

Manual short stabilizer Manual long stabilizer



SPL. Single beam

	A	B	C	D
400/Fixed	915	895	1315	-
400/400	915	915	1315	1315
800/Fixed	915	895	1715	-
800/400	915	915	1715	1315
1100/Fixed	915	895	2015	-

SPL. Double beam

	A	B	C	D
800/800	915	915	1315	1715
1100/800	915	915	2015	1715
1100/1100	915	915	2015	2015

Cargotec improves the efficiency of cargo flows on land and at sea - wherever cargo is on the move. Cargotec's brands MacGregor, Kalmar and Hiab are recognised leaders in cargo and load handling solutions around the world. Cargotec's global network is positioned close to customers and offers extensive services that ensure the continuous, reliable and sustainable performance of equipment. www.cargotec.com

