

Hiab XS 377 CLX

Capacity 32 tm

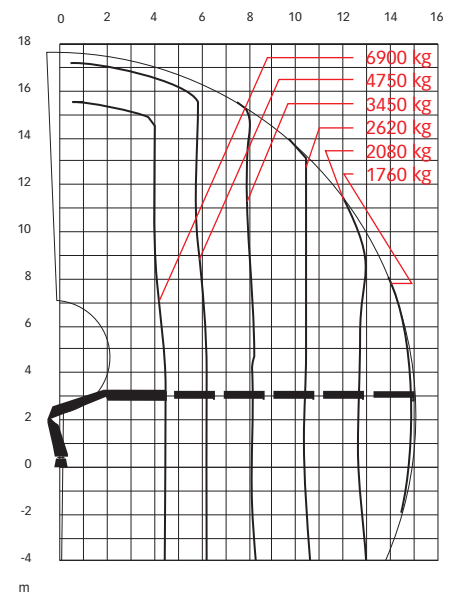
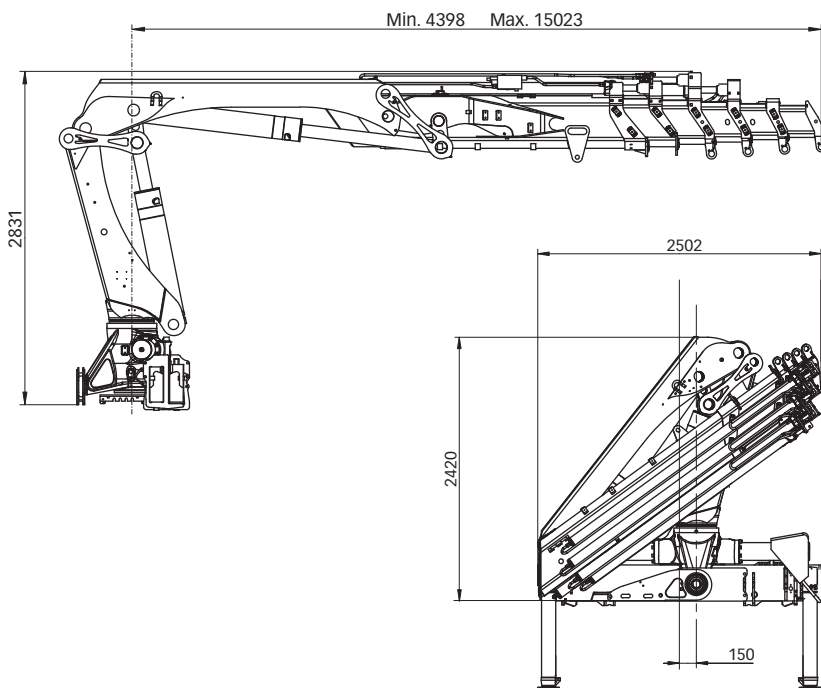


Hiab XS 377 CLX Basic data

Technical data

	EP-2 CLX	EP-3 CLX	EP-4 CLX	EP-5 CLX
Max. lifting capacity (kNm)	318	311	305	300
Outreach - hydraulic extensions (m)	8.0	10.2	12.6	15.0
Outreach - manual extensions (m)	12.6	15.0	17.4	17.4
Outreach / Lifting capacity, standard (m / kg)	3.1 / 10000	3.0 / 10000	3.0 / 10000	2.9 / 10000
	4.2 / 7700	4.2 / 7600	4.3 / 7200	4.4 / 6900
	5.9 / 5500	6.0 / 5200	6.1 / 4950	6.2 / 4750
	7.9 / 4100	8.0 / 3850	8.1 / 3650	8.2 / 3450
	-	10.2 / 3000	10.3 / 2800	10.4 / 2620
	-	-	12.6 / 2260	12.7 / 2080
	-	-	-	15.0 / 1760
Slewing angle	420°	420°	420°	420°
Height in folded position (mm)	2380	2380	2380	2380
Width in folded position (mm)	2500	2500	2500	2500
Installation space needed (mm)	1120	1200	1240	1240
Weight - "standard" crane without stabilizers (kg)	3130	3350	3560	3730
Weight - stabilizer equipment (kg)	515 - 615	515 - 615	515 - 615	515 - 615

Hiab XS 377 EP-5 CLX



Disclaimer. Hiab cranes have been built to meet the highest standards of safety and service life and have been thoroughly tested. Strength calculations for this model have been carried out in accordance with EN13001 in fatigue class S1. Cargotec's certified Quality Assurance System complies with ISO 9001. Some of the items in our literature may be extra equipment. Certain applications may require an official permit. We reserve the right to change technical specifications without prior notice. Hiab cranes produced for EU-countries are CE-marked and comply with the European Standard EN 12999.

Cargotec improves the efficiency of cargo flows by offering solutions for the loading and unloading of goods on land and at sea – wherever cargo is on the move. Cargotec's main daughter brands for cargo handling Hiab, Kalmar and MacGregor are global market leaders in their fields. www.cargotec.com