

Hiab XS 244 R CLX

Capacity 22 tm



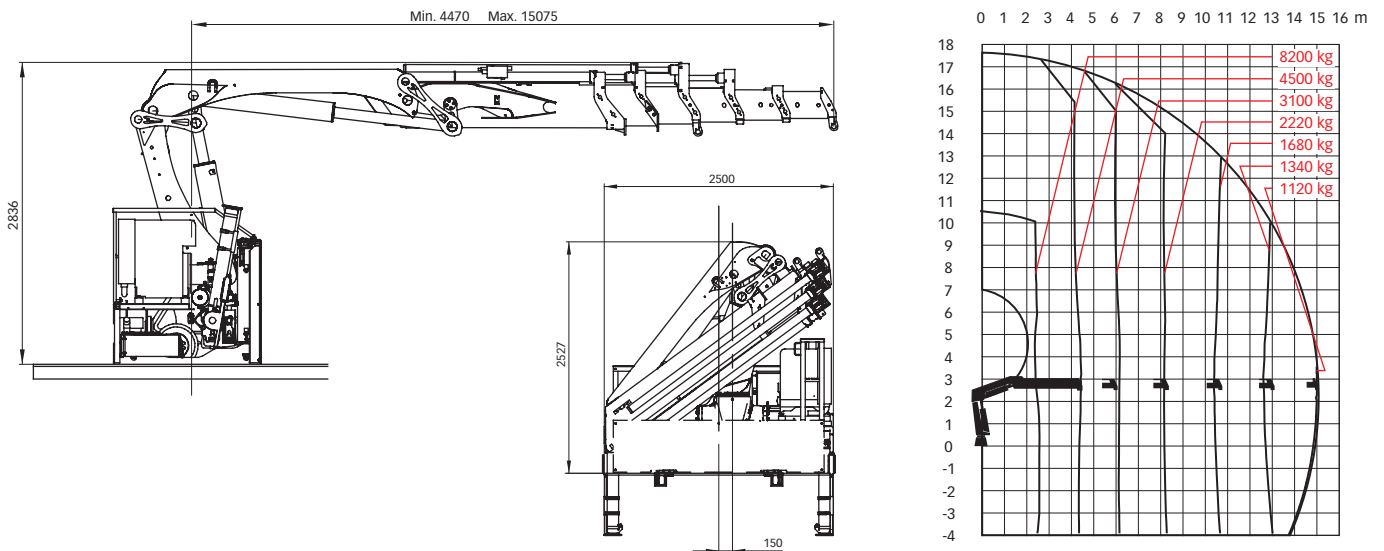
Hiab XS 244 R CLX Basic data

Technical data

	EP-2 CLX	EP-3 CLX	EP-4 CLX	EP-5 CLX
Max. lifting capacity (kNm)	214	208	203	199
Outreach - hydraulic extensions (m)	8.0	10.3	12.7	15.1
Outreach / Lifting capacity, standard (m / kg)	2.4 / 8400	2.4 / 8200	2.4 / 8200	2.5 / 8200
	4.2 / 5200	4.3 / 4950	4.4 / 4700	4.5 / 4500
	5.9 / 3700	6.0 / 3450	6.1 / 3250	6.2 / 3100
	7.9 / 2760	8.0 / 2540	8.1 / 2380	8.2 / 2220
	-	10.2 / 1980	10.3 / 1820	10.4 / 1680
	-	-	12.6 / 1460	12.7 / 1340
	-	-	-	15.0 / 1120
Slewing angle	410°	410°	410°	410°
Height in folded position (mm)	2530	2530	2530	2530
Width in folded position (mm)	2500	2500	2500	2500
Weight - standard version (kg)	4100*	4295*	4470*	4640*
Driving speed (m / s)	0.7	0.7	0.7	0.7

* Weight based on standard crane including 6m stabilizer beams, long stabilizer legs and filled oil and fuel tanks.

Hiab XS 244 R EP-5 CLX



Disclaimer. Hiab cranes have been built to meet the highest standards of safety and service life and have been thoroughly tested. Strength calculations for this model have been carried out in accordance with EN13001 in fatigue class S2. Cargotec's certified Quality Assurance System complies with ISO 9001. Some of the items in our literature may be extra equipment. Certain applications may require an official permit. We reserve the right to change technical specifications without prior notice. Hiab cranes produced for EU-countries are CE-marked and comply with the European Standard EN 12999.

Cargotec improves the efficiency of cargo flows by offering solutions for the loading and unloading of goods on land and at sea – wherever cargo is on the move. Cargotec's main daughter brands for cargo handling Hiab, Kalmar and MacGregor are global market leaders in their fields. www.cargotec.com