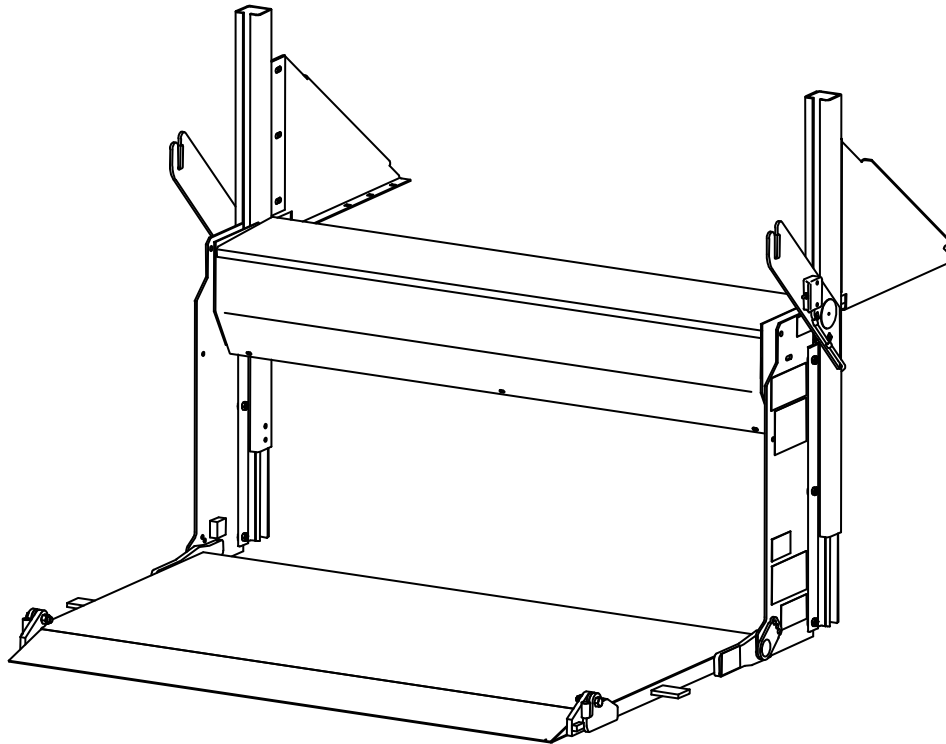


Parts Manual

PTN

1250 lb. and 1600 lb. Capacity Rail Liftgate



GR02910

This manual identifies parts for Liftgates manufactured:
7/2009 to Current

Last Change

Date	Page(s)	Description
3-2017	8 - 15	P8 – P15 Revised and up-dated all PM's

Waltco Lift Corp.
Corporate Office United State
285 Northeast Ave.
Tallmadge, OH 44278
P: 330.633.9191
F: 330.633.1418

Waltco Lift Corp.
United States
620 S Hambledon Ave.
City of Industry, CA 91744
P: 626.964.0990
F: 626.964.0149

Waltco Lift Inc.
Canada
90 North Queen St.
Etobicoke, ON M8Z 2C5
P: 888.343.4550

Table of Contents



Improper operation and maintenance of this liftgate could result in severe personal injury or death.

Read and understand the contents of the owner's manual and all warning and operation decals before operating and/or performing maintenance on this liftgate.

INTRODUCTION	3
HOW TO ORDER PARTS	4
MODEL INFORMATION.....	5
DECALS	6
PLATFORMS, STEEL	8
PLATFORMS, ALUMINUM	9
H-FRAME ASSEMBLY, STANDARD	10
H-FRAME ASSEMBLY, ABOVE FLOOR (AF)	11
H-FRAME COMPONENTS.....	12
RUNNER ASSEMBLY.....	13
HYDRAULIC & ELECTRICAL COMPONENTS	14
CYLINDER ASSEMBLY.....	15
SCHEMATIC.....	16

Introduction

Each Waltco liftgate is manufactured to stringent quality standards for years of reliable service. To ensure maximum performance of your Waltco liftgate, always specify and use “OEM Parts” from Waltco.

This manual does not provide procedures for the servicing and repair of Waltco liftgates. Service and repair should only be performed by an authorized Waltco distributor. For information on the nearest authorized Waltco distributor contact:

Waltco Lift Corp.

285 Northeast Avenue

Tallmadge, OH 44278

Phone: 800.411.5685

Fax: 800.411.5684

E-mail: parts@waltco.com



The use of non-standard or makeshift parts can be extremely hazardous and result in serious injury or death.



Every vehicle that has a WALTCO Liftgate must have legible WARNING AND OPERATION DECALS clearly posted on the vehicle and an OWNER'S MANUAL in the vehicle at all times as a guide for proper operation and maintenance.

How To Order Parts

Repairs should be made only by authorized mechanics using WALTCO Replacement parts.

When ordering repair or replacement parts, please include all the information asked for below. If this information is not available, a complete written description or sketch of the required part will help WALTCO identify and deliver the needed part to you.

THE FOLLOWING INFORMATION MUST BE INCLUDED:

1. SERIAL NUMBER - [WALTCO liftgate serial numbers can be found on the Specification Tag attached to the mount frame. (On older units the Specification Tag is located on the side or bottom of the platform.)]
2. MODEL NUMBER - [Or capacity]
3. PLATFORM SIZE

THEN INCLUDE THE FOLLOWING INFORMATION:

4. PART NUMBERS
5. DESCRIPTION
6. QUANTITY REQUIRED

MAIL, E-MAIL OR PHONE YOUR REQUEST TO:

Waltco Lift Corp
285 Northeast Avenue
Tallmadge, OH 44278
1-800-411-5685
FAX: 1-800-411-5684
E-MAIL: parts@waltco.com

ALL PARTS ARE F.O.B. FROM THE SHIPPING FACTORY

PLEASE NOTE:

To assure you of continuing and effective quality control, our warranty policy permits replacement of hydraulic cylinders, valves and motor pump units when their factory seals are intact. Parts under warranty will be exchanged promptly after careful inspection of the returned assemblies.

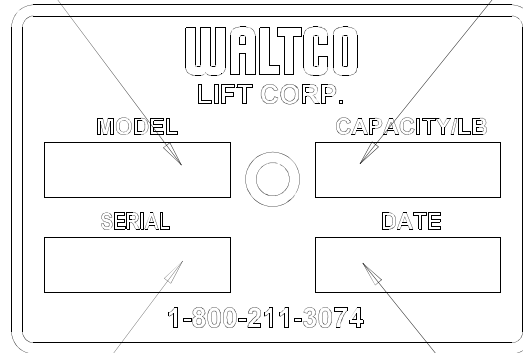
PTN MODEL INFORMATION

EXPLANATION OF SPECIFICATION TAG		
MODEL NAME	DESCRIPTION	CAPACITY
PTN12	Pick-Up Truck Rail Lift	1250 lb.
PTN16	Pick-Up Truck Rail Lift	1600 lb.

MODEL NUMBER

RATED CAPACITY

Based on an evenly distributed load on the platform flat surface

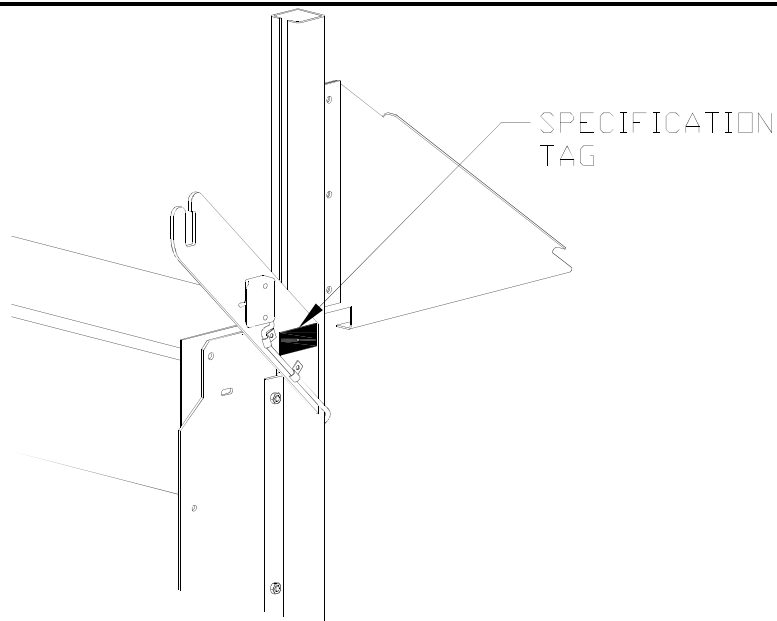


SERIAL NUMBER

of Liftgate. To be used when ordering parts or when contacting Waltco for service or warranty.

DATE OF MANUFACTURE
MONTH/YEAR

GR00053



GR02865

Decals

To order complete set of PTN-Series liftgate decals, order kits below:

PTN 12 (1250 lb.) = Kit part number 80002163

PTN 16 (1600 lb.) = Kit part number 80002164

Decals



All decals must be in place and legible or all warranties are void.

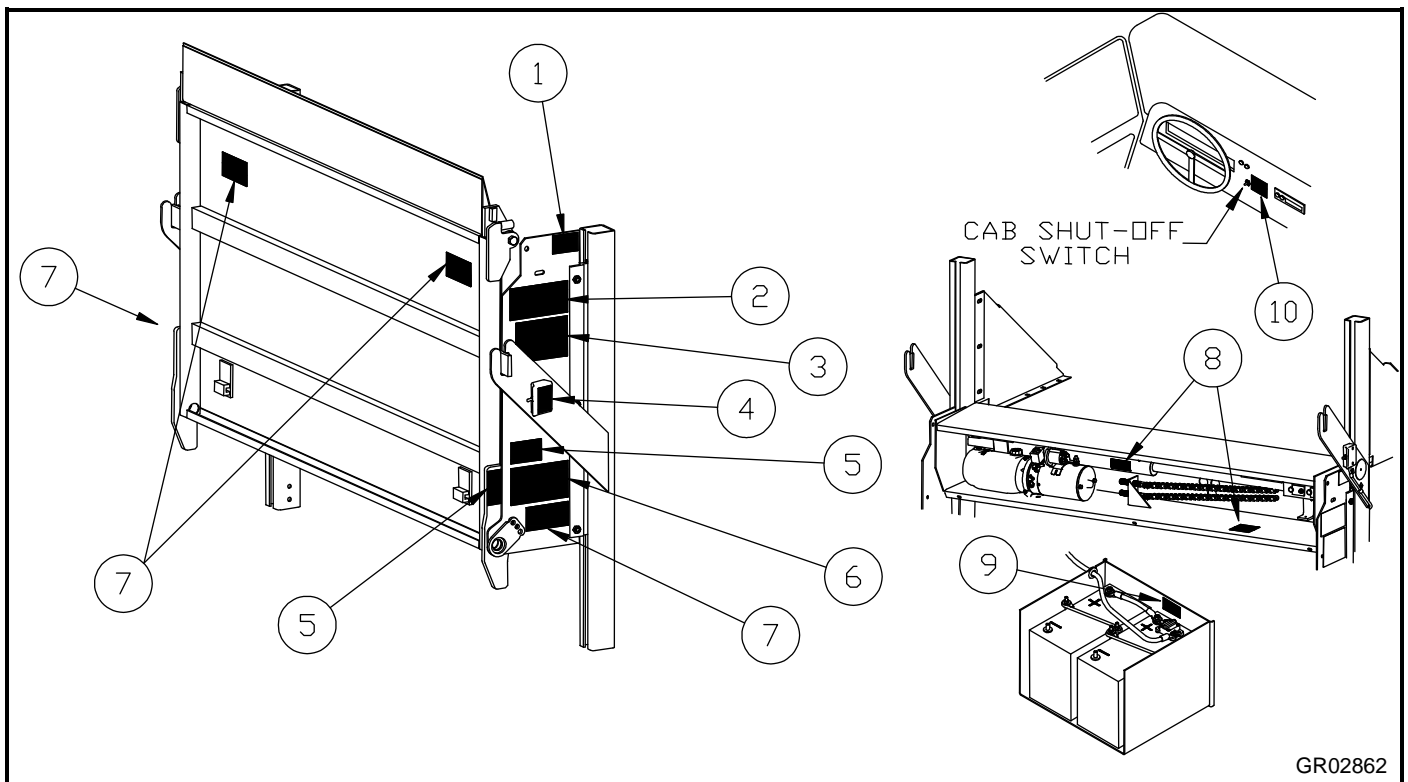
ITEM	DECAL	QTY	PART NO.	LOCATION
1	Important Decal	1	80100828	As shown on curbside slider (runner)
2	Hazard Decal	1	80101370	As shown on curbside slider (runner)
3	Safety Instructions	1	80100850	As shown on curbside slider (runner)
4	Switch Decal	1	80101532	As shown on switch
5	PTN-12, 1250 lbs.	2	80100266	One as shown on curbside slider (runner)
	PTN-16, 1600 lbs.		80100252	One on side of platform (read w/platform open)
6	Operation Decal	1	80101577	As shown on curbside slider (runner)
7	Stand Clear Decal	4	75089296	One on each slider (runner) as shown Two on bottom of platform as shown
8	Protective Cover	2	75089282	One as shown inside crossbeam box (housing) One on cylinder
9	Warning Decal	1	80100829	As shown near circuit breaker
10	Cab Shut-Off Decal (Optional)	1	75089267	As shown near cab shut-off switch

To maximize decal adhesion to surfaces:

- Surface must be dry and clean
- Firm pressure must be applied to decal
- Minimum surface temperature 65°
Heat gun may be used to heat surface



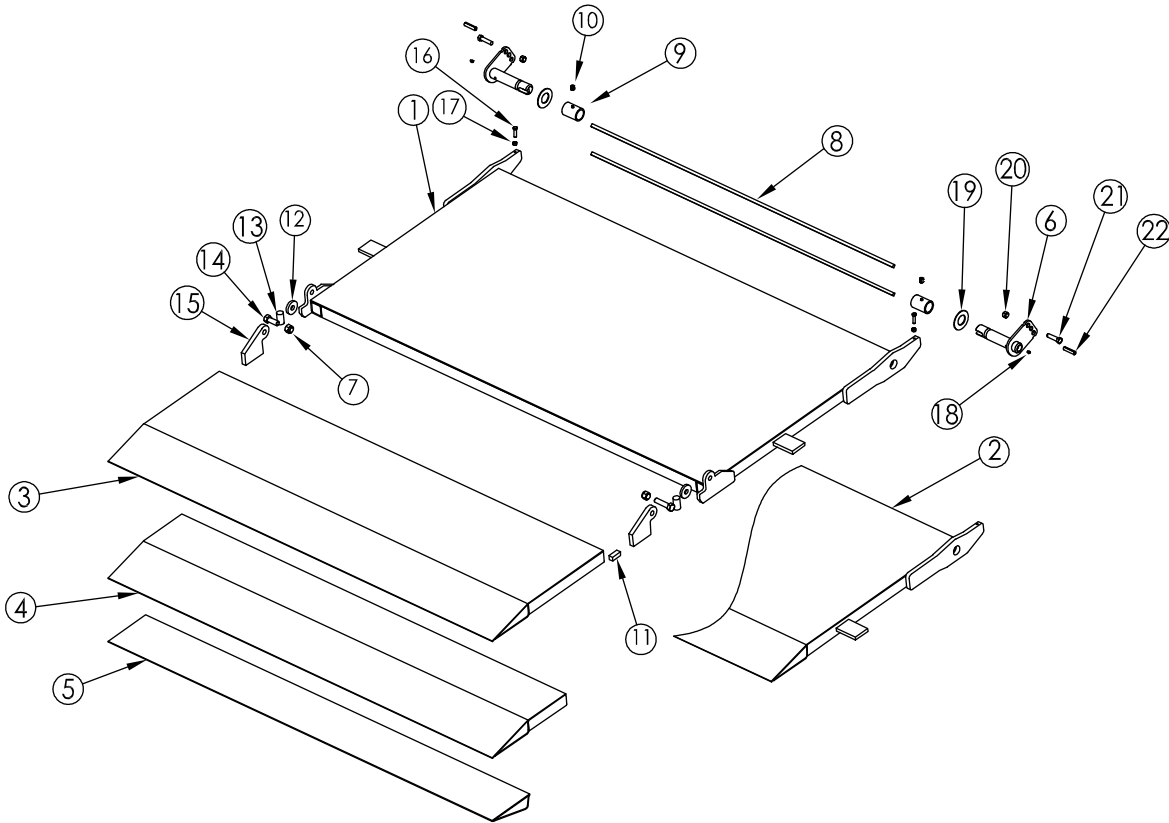
If your liftgate is equipped with dual controls, an additional Safety Instruction decal (80100850) is to be placed in a conspicuous place near the second set of controls.



GR02862

ITEM	PART NUMBER	QTY	DESCRIPTION	PTN			
				24x57+6	30x57+6	36x57+6	42x57+6
	45110000 ^A	1	24 x 57 + 6, Steel, PTN-12	X			
	45110001 ^A		30 x 57 + 6, Steel, PTN-12, PTN-16		X		
	45110002 ^A		36 x 57 + 6, Steel, PTN-12, PTN-16			X	
	45110003 ^A		42 x 57 + 6, Steel, PTN-16				X
1	45112601	1	Platform, 30 x 57 + 6		X		
	45112602		Platform, 36 x 57 + 6			X	
	45112603		Platform, 42 x 57 + 6				X
2	45112600	1	Platform, 24 x 57+ 6	X			
3	45112607	1	Deck Extension, (for 42x57+6)				X
4	45112606	1	Deck Extension, (for 36x57+6)			X	
5	45112605	1	Deck Extension, (for 30x57+6)		X		
6	45112352	2	Hinge Pin, 3/8"	X	X	X	X
7	75085162	2	Lock Nut, 1/2-13		X	X	X
8	43020037	1	Torsion Bar, 3/8 x 48	X	X	X	
	43020037	2	Torsion Bar, 3/8 x 48				X
9	44212213	2	Hinge Collar, 1" ID	X	X	X	X
10	7500047-6	2	Set Screw, 1/4-20x3/8	X	X	X	X
11	45012625	1	Bar, Anti Rattle		X	X	X
12	45112534	2	Spacer, Platform Hinge		X	X	X
13	45112533	2	Flip Ramp Stop		X	X	X
14	7500010-18	2	Hex Bolt, 1/2-13 x 2, Grade 8		X	X	X
15	45112610	2	Ramp Hinge		X	X	X
16	7500010-21	2	Hex Bolt, 1/4-20 x 1 Grade 8	X	X	X	X
17	7500064-2	2	Hex Jam Nut, 1/4-20	X	X	X	X
18	75089306	2	Grease Zerk, 1/4-28	X	X	X	X
19	75088061	2	Flat Washer, 1" ID	X	X	X	X
20	75085188	2	3/8-16 Nut, CenterLock	X	X	X	X
21	7500010-6	2	Hex Bolt, 3/8-16 x 1.0, Grade 8	X	X	X	X
22	75089555	2	"C" Spring Pin, 3/8 x 1	X	X	X	X

A Includes Complete Platform, Pins, Torsion Bars, Etc.



**PTN SERIES
STEEL PLATFORMS**

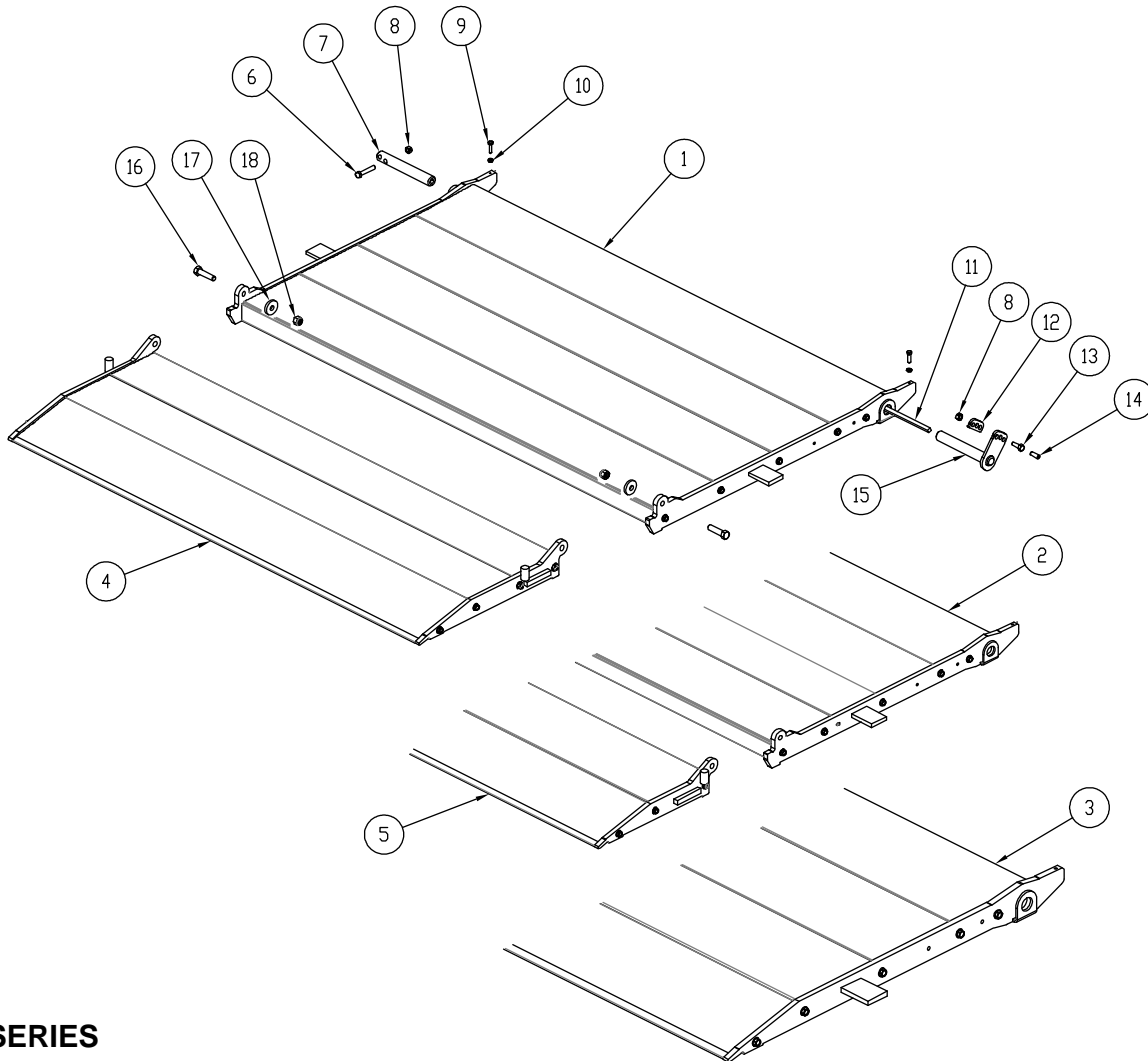
WALTCO LIFT CORP.
PTN

REVISED: 3-2017
E.O. 10221
REV 02

PM-855

ITEM	PART NUMBER	QTY	DESCRIPTION	24x57+8	38x57+8	44x57+8
	45110010 ^A	1	24 x 57 + 8 Aluminum Platform, PTN-12	X		
	45110012 ^A		38 x 57 + 8 Aluminum Platform, PTN-12, PTN-16		X	
	45110013 ^A		44 x 57 + 8 Aluminum Platform, PTN-16			X
1	45112673	1	Deck Assembly, 32 x 57			X
2	45112516	1	Deck Assembly, 30 x 57		X	
3	45112500	1	Platform Assembly, 24 x 57 + 8	X		
4	45112674	1	Deck Extension, 12 + 8			X
5	45112517	1	Deck Extension, 8 + 8		X	
6	7500010-22	1	Hex Bolt 3/8-16 x 2, Grade 8	X	X	X
7	45112596	1	Hinge Pin, for 3/8" Torsion Bar	X	X	X
8	75085188	2	Lock Nut, 3/8-16 Center Lock	X	X	X
9	7500010-21	2	Hex Bolt, 1/4-20 x 1, Grade 8	X	X	X
10	7500064-2	2	Jam Nut, 1/4-20	X	X	X
11	43020037	1	Torsion Bar, 3/8 x 48	X	X	X
12	45112589	1	Locking Tab Spacer	X	X	X
13	7500010-6	1	Hex Bolt, 3/8-16 x 1, Grade 8	X	X	X
14	75089555	1	Spring Pin, 3/8 x 1	X	X	X
15	45112591	1	Hinge Pin Assembly	X	X	X
16	7500010-18	2	Hex Bolt, 1/2-13x2, Grade 8	X	X	X
17	45112534	2	Spacer, Platform Hinge	X	X	X
18	75085162	2	Lock Nut, 1/2-13 Nylon	X	X	X

A Includes Complete Platform, Pins, Torsion Bars, Etc.



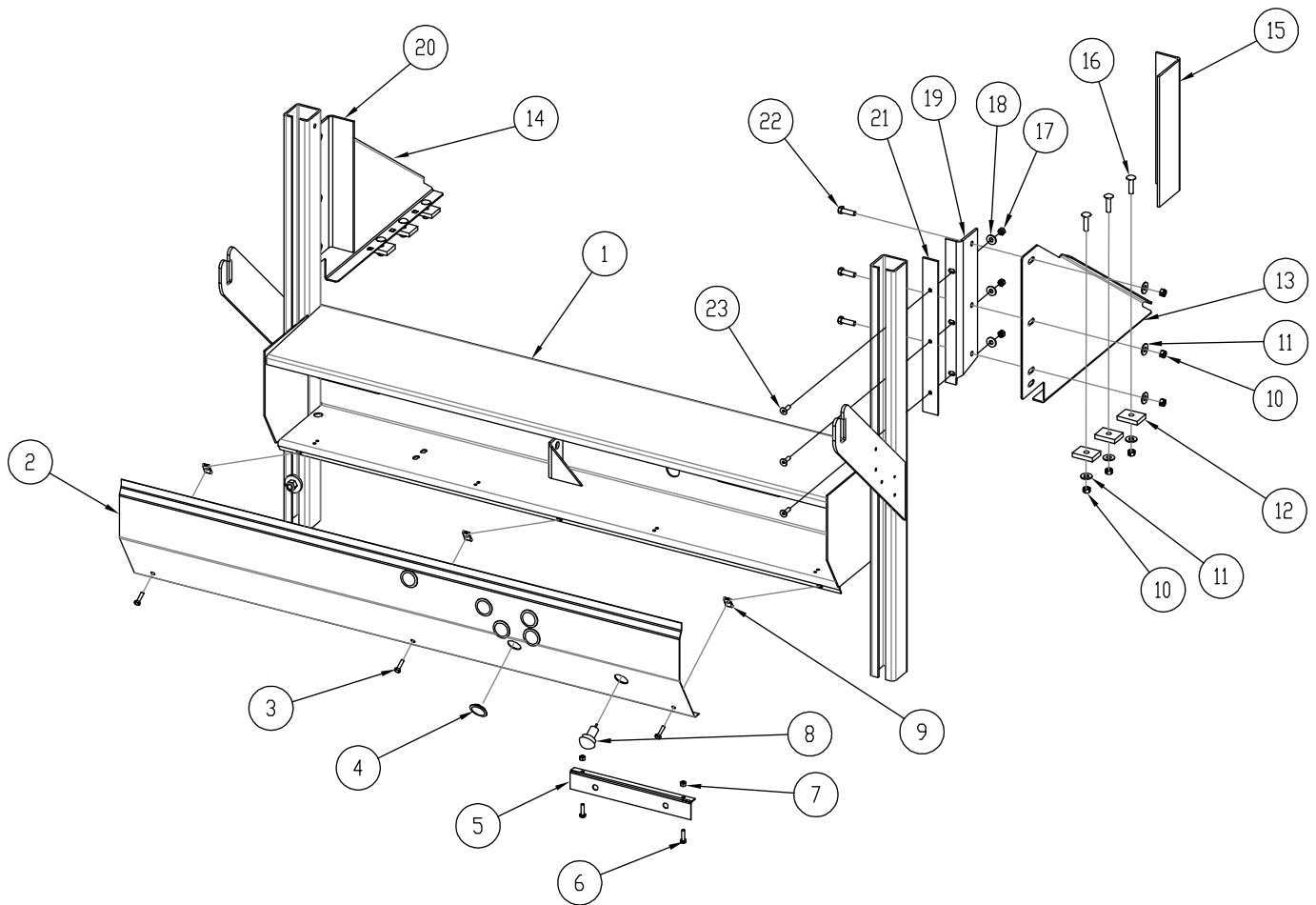
**PTN SERIES
ALUMINUM PLATFORMS**



REVISED: 3-2017
E.O. 10221
REV 02

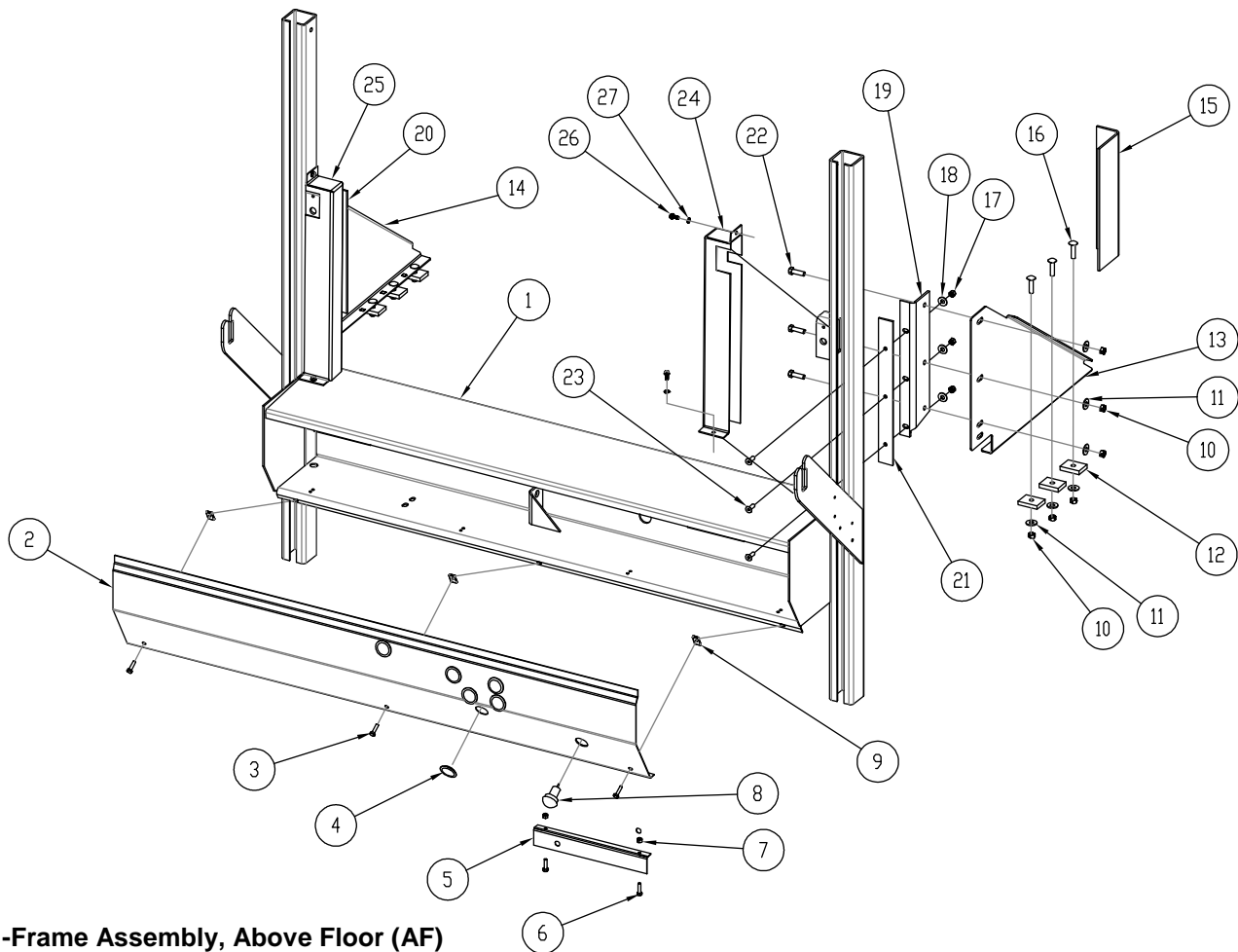
PM-854

ITEM	PART NUMBER	QTY	DESCRIPTION
1	45112578	1	H-Frame PTN-12 & PTN-16
2	45112592	1	Access Door
3	75086006	3	Hex Bolt, 1/4-20x1"
4	75089567	6	Plastic Plug, 1-1/4"
5	45112323	1	License Plate Bracket
6	75086006	2	Hex Bolt, 1/4-20x1"
7	75085161	2	Locknut, Nylock, 1/4-20
8	75089386	1	License Plate Light
	43020569	1	License Plate Light Wire Harness
9	75085164	3	Tinnerman Clip
10	75085188	12	Locknut, 3/8-16, Centerlock
11	75088053	12	Washer, 3/8 Flat
12	45112308	6	Fish Plate
13	45112311	1	Mounting Bracket, CS
14	45112310	1	Mounting Bracket, DS
15	45070201	2	Mounting Bracket (no holes)
16	75087584	6	Carriage Bolt, 3/8-16x1-1/2"
17	75085177	6	Locknut, Nylock, 5/16-18,
18	75088253	6	Washer, 5/16, High Strength Grade 8
19	45070301	1	Mounting Bracket, CS
20	45070351	1	Mounting Bracket, DS
21	45110506	2	Mount Bar, Tapped
22	75086218	6	Hex Bolt, 3/8-16x1-1/4" Grade 8
	7500010-31		Hex Bolt, 3/8-16x2-1/2" Grade 8
23	75085994	6	Flat Head C'Sink Socket Head 5/16-18 x1"



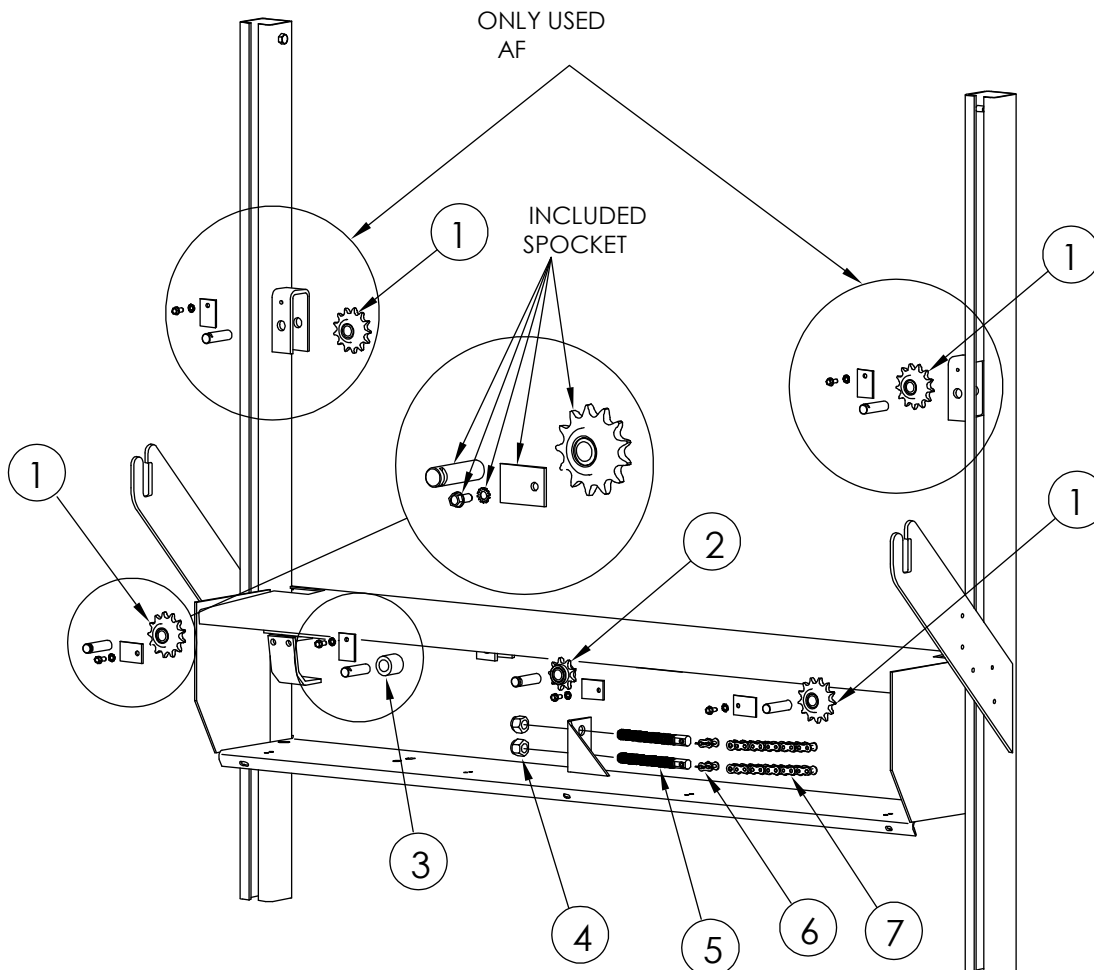
H-Frame Assembly, Standard

ITEM	PART NUMBER	QTY	DESCRIPTION
1	45112579	1	H-Frame, AF, PTN-12 & PTN-16
2	45112592	1	Access Door
3	75086006	3	Hex Bolt, 1/4-20x1"
4	75089567	6	Plastic Plug, 1-1/4"
5	45112323	1	License Plate Bracket
6	75086006	2	Hex Bolt, 1/4-20x1"
7	75085161	2	Locknut, Nylock, 1/4-20
8	75089386	1	License Plate Light
	43020569	1	License Plate Light Wire Harness
9	75085164	3	Tinnerman Clip
10	75085188	12	Locknut, 3/8-16, Centerlock
11	75088053	12	Washer, 3/8 Flat
12	45112308	6	Fish Plate
13	45112311	1	Mounting Bracket, CS
14	45112310	1	Mounting Bracket, DS
15	45070201	2	Mounting Bracket (no holes)
16	75087584	6	Carriage Bolt, 3/8-16x1-1/2"
17	75085177	6	Locknut, Nylock, 5/16-18,
18	75088253	6	Washer, 5/16, High Strength Grade 8
19	45070301	1	Mounting Bracket, CS
20	45070351	1	Mounting Bracket, DS
21	45110506	2	Mount Bar, Tapped
22	75086218	6	Hex Bolt, 3/8-16x1-1/4" Grade 8
	7500010-31	6	Hex Bolt, 3/8-16x2-1/2" Grade 8
23	75085994	6	Flat Head C'Sink Socket Head 5/16-18 x1"
24	45112479	1	Chain Cover, CS
25	45112478	1	Chain Cover, DS
26	75086874	4	Screw, 1/4-20x5/8" Hex Head, Type F
27	7500012-1	4	Ext Tooth Lock Washer, 1/4"



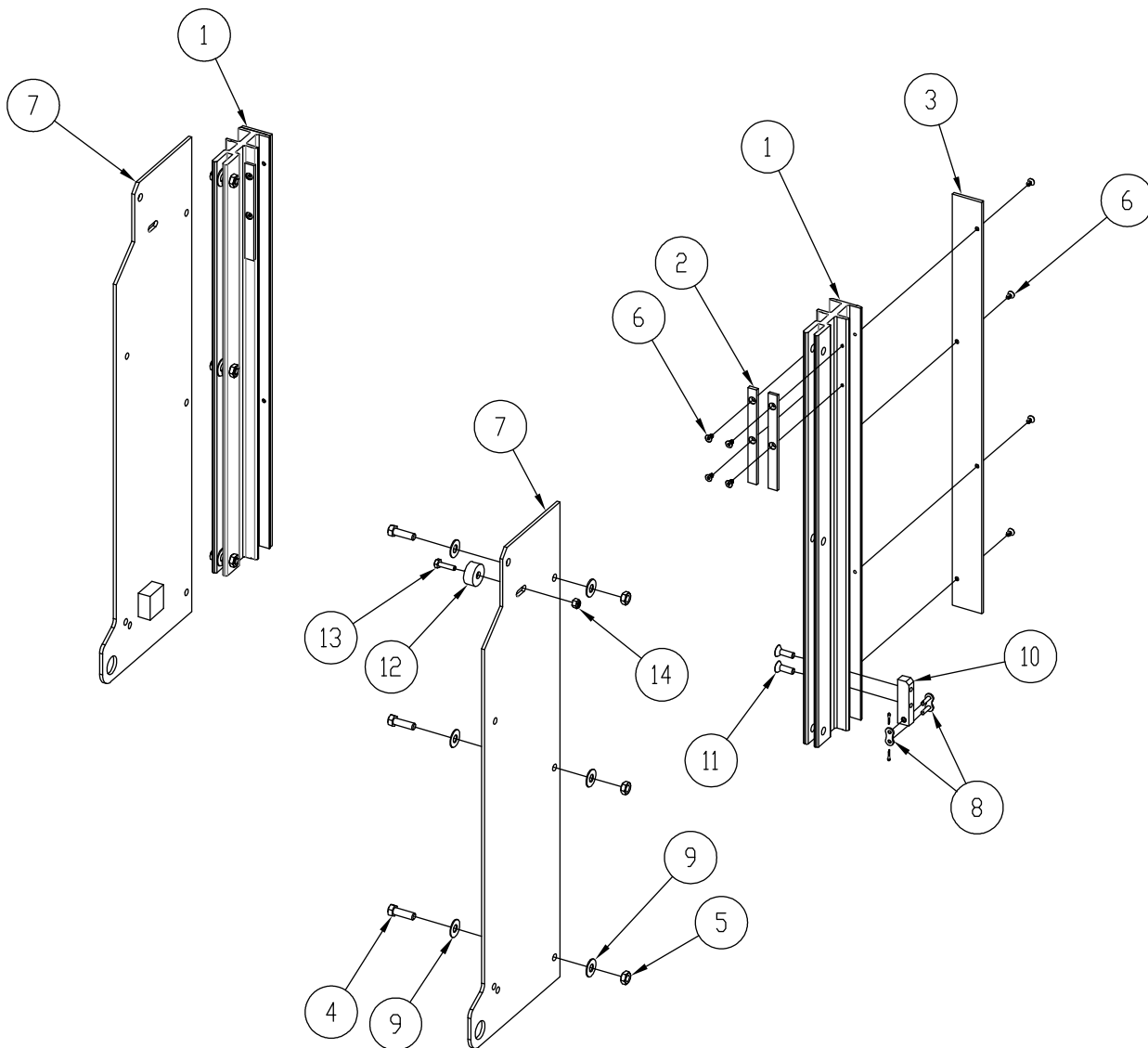
H-Frame Assembly, Above Floor (AF)

ITEM	PART NUMBER	QTY		DESCRIPTION
		STD	AF	
1	43020013	2	4	Sprocket, 13T w/Bearing, ASA50
	80002232			Kit, Sprocket, 13T and Hardware
2	45010108	1	1	Sprocket, 9T w/Bearing, ASA50
	80002230			Kit, Sprocket, 9T and Hardware
3	44320367	1	1	Nylon Roller
	80002236			Kit, Nylon Roller and Hardware
4	75085184	2	2	Lock Nut, 5/8-18 Plated
5	43020014	2	2	Chain Anchor Bolt, ASA50
6	75081113	2	2	Connecting Link #50
7	45010019	1		#50 C/S Roller Chain, 78-1/8" lg.
	45010020	1		#50 D/S Roller Chain, 74-3/8" lg.
	45010022	1		#50 C/S Roller Chain, 80-5/8" lg.
	45010023	1		#50 D/S Roller Chain, 76-7/8" lg.
	45110019		1	#50 C/S Roller Chain, 124-3/8" lg.
	45110020		1	#50 D/S Roller Chain, 120-5/8" lg.
	45010024		1	#50 C/S Roller Chain, 126-7/8" lg.
	45010025		1	#50 D/S Roller Chain, 123-1/8" lg.



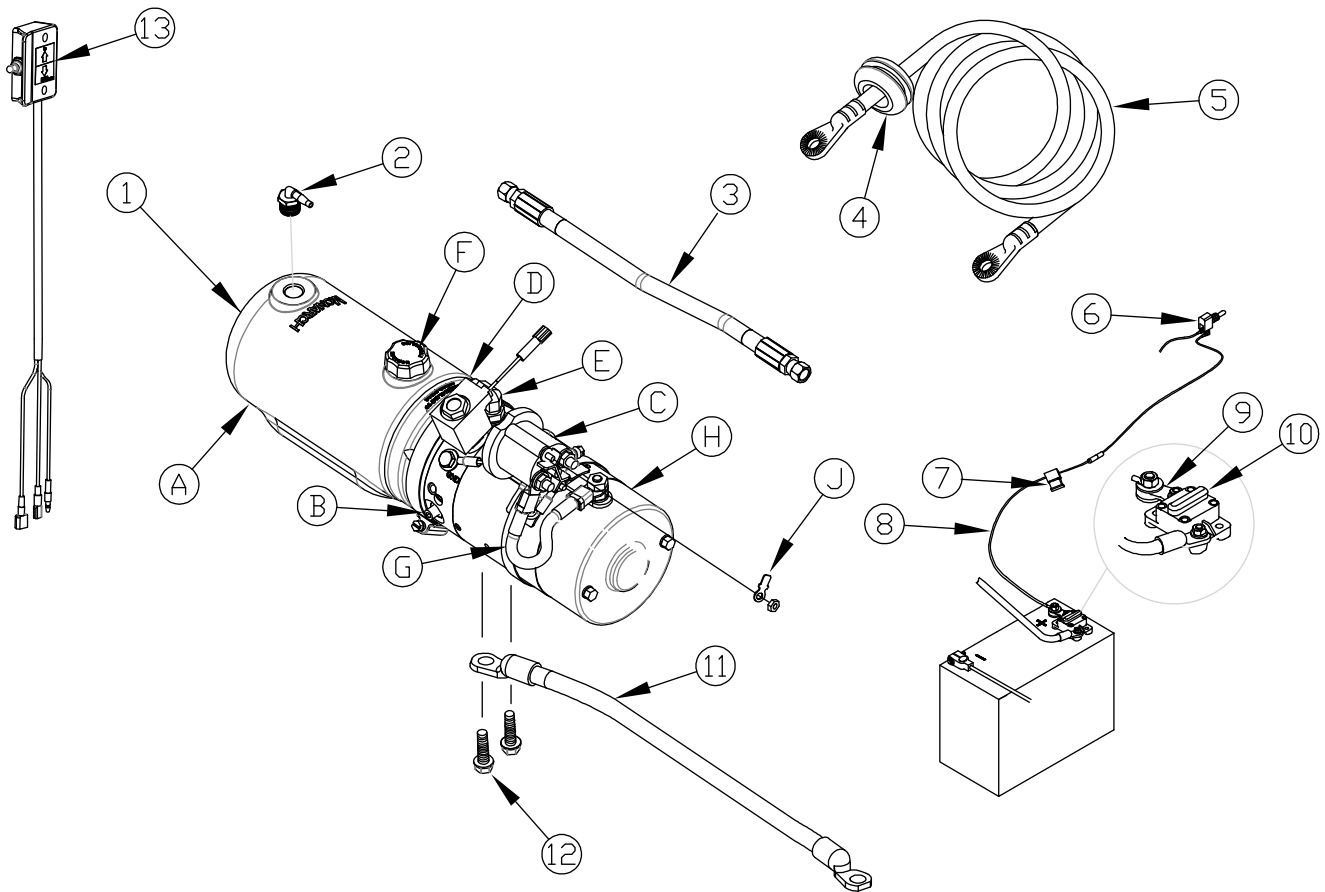
PTN Internal H-Frame Components

ITEM	PART NUMBER	QTY	DESCRIPTION
1	45016757	1	Alum Runner Extrusion, CS
	45016756		Alum Runner Extrusion, DS
2	43016701	4	Wear Pad Forked Slider, Front 6"
3	43016602	2	Wear Pad Forked Slider, Back
4	75086218	6	Hex Bolt, 3/8-16x1-1/4" Grade 8
5	75085188	6	Locknut, 3/8-16, Centerlock
6	75086708	16	Screw, 10-32x3/8" FHSCS
7	45016759	1	Runner Foot, CS
	45016758		Runner Foot, DS
8	75081113	2	Connecting Link #50
9	75088053	12	Flat Washer, 3/8"
10	43020007	2	Termination Block, Complete w/Bushing
11	75085994	4	Screw, 5/16-18x1" FHSCS
12	42669299	1	Nylon Roller (Curb Side Only)
13	7500010-21	1	Hex Bolt, 1/4-20x1" Grade 8
14	7500064-2	1	Jam Nut, 1/4-20



Runner Assemblies

ITEM	PART NUMBER	QTY	DESCRIPTION
1	70430685	1	Hydraulic Pump Unit, Non-Thermal Switch After 6-2013
	70430680		Hydraulic Pump Unit, w/ Thermal Switch Prior to 6-2013
2	7500026-5	1	90° Male Elbow, 3/16" Barb x 3/8 NPT Prior to 5-2016
	7500026-4		90° Male Elbow, 1/4" Barb x 3/8 NPT After 5-2016
3	43220894	1	Hose Assy, 1/4" x 18", 1/4 JIC Female
4	75089329	1	Grommet
5	10195635RD	1	Battery Cable Assy, 35 Ft.
6	75089807	1	Switch, Cab Shut-Off (Optional)
7	75089854	1	15 Amp Fuse
8	10099313	1	Inline Fuse Assy w/ 15 Amp Fuse
9	10099500	1	Terminal Link
10	75089243	1	150 Amp Circuit Breaker
11	10195536BK	1	Battery Cable Assy, 36 In. (Ground)
12	75086218	2	Hex Bolt, 3/8-16x1-1/4", Grade 8
13	80001430	1	Kit, Switch, Cord Out Bottom



Hydraulic & Electrical Components



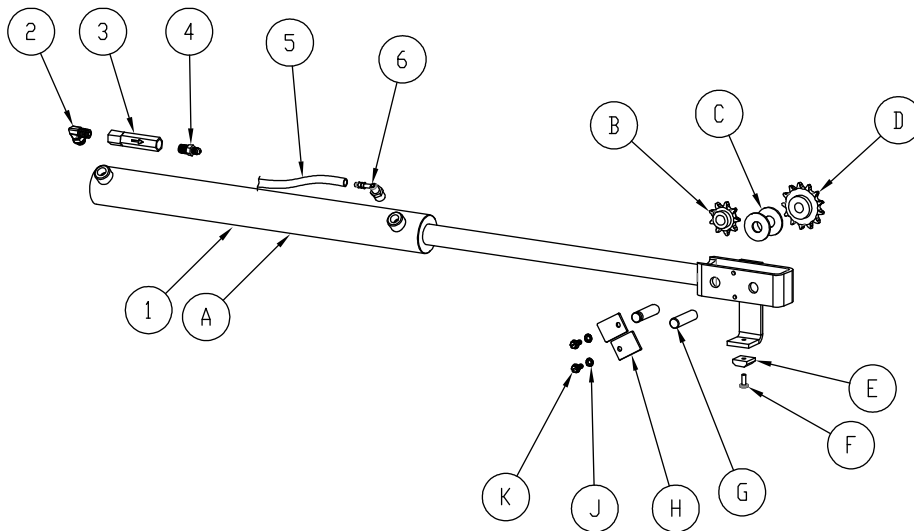
REVISED: 3-2017
E.O. 10221
REV 05

PM-856

ITEM	PART NUMBER	QTY	DESCRIPTION
1	45185000 ^A	1	Cylinder Assembly Complete 2x19 Stroke
	45185001 ^B		Cylinder Assembly Complete 2x22.5 Stroke
A	45180000	1	Cylinder & 6" Head Assy 2x19 Stroke
	45180001		Cylinder & 6" Head Assy 2x22.5 Stroke
B	45010108	1	Sprocket, 9 Tooth w/ Bearing, #50 Chain
C	75088064	2	Flat Washer, 5/8"
D	43020013	1	Sprocket, 13 Tooth w/ Bearing, #50 Chain
E	43016859	1	Bearing, Shoe Assy
F	75086854	1	Screw, 1/4-20x5/8" Type F
G	43020019	2	Sprocket Pin
H	43020018	2	Pin Retainer
J	7500012-1	2	Lock Washer, 1/4", External Tooth
K	75086874	2	Screw, 1/4-20x5/8"
2	75083355	1	Elbow, #6 SAE Male x 1/4" NPT Male
3	7010001-15	1	Pressure Comp. Valve, 2.5 GPM
4	75083039	1	Adapter, 1/4" NPTM x 1/4" JICM
5	43040082	2 Ft.	Tube, Flexible PVC, 3/16" ID Prior to 5-2016
	82021059 ^{A,B}	1 Ft.	Tube, Flexible PVC, 1/4" ID After 5-2016
6	7500026-6	1	90° Male Elbow, 3/8 NPT x 3/16" Barb Prior to 5-2016
	7500026-4 ^{A,B}		90° Male Elbow, 3/8 NPT x 1/4" Barb After 5-2016

These kits are required when replacing cylinders prior to 5-2016:

^A Item included in Cylinder Replacement Kit 80001471
^B Item included in Cylinder Replacement Kit 80001472



Cylinder Assemblies

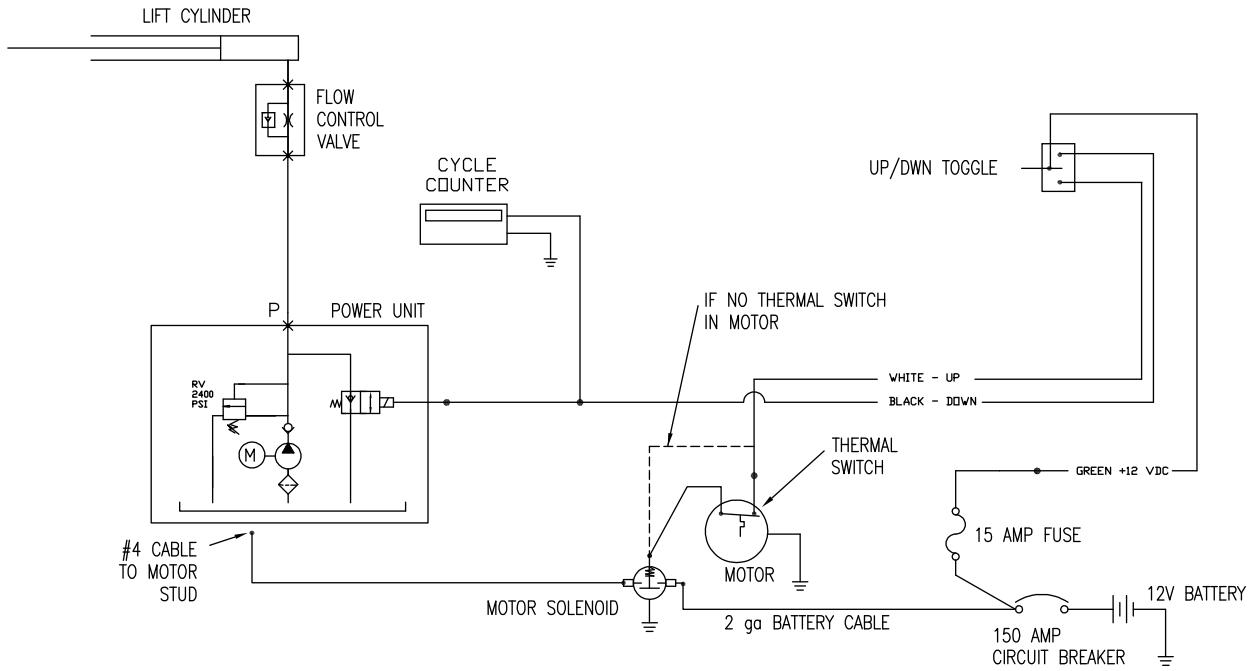


REVISED: 3-2017
E.O. 10221
REV 02

PM-860

SCHEMATICS

ELECTRIC / HYDRAULIC SCHEMATIC
STANDARD



GR02952A



Every vehicle that has a WALTCO Liftgate must have legible **WARNING AND OPERATION DECALS** clearly posted on the vehicle and an **OWNER'S MANUAL** in the vehicle at all times as a guide for proper operation and maintenance.

Additional **WARNING DECALS**, **OPERATION DECALS** and **OWNER'S MANUALS** can be obtained from **WALTCO LIFT CORP.**

NOTE:

**When ordering, give model
and serial number of the liftgate.**

IMPORTANT

WARNING

Improper operation and maintenance of this liftgate could result in severe personal injury or death.

Read and understand the contents of this manual and all warning and operation decals before operating and/or performing maintenance on this liftgate.

For SAFETY information on this liftgate see Chapter 1 of this manual