

# LOGLIFT 118S



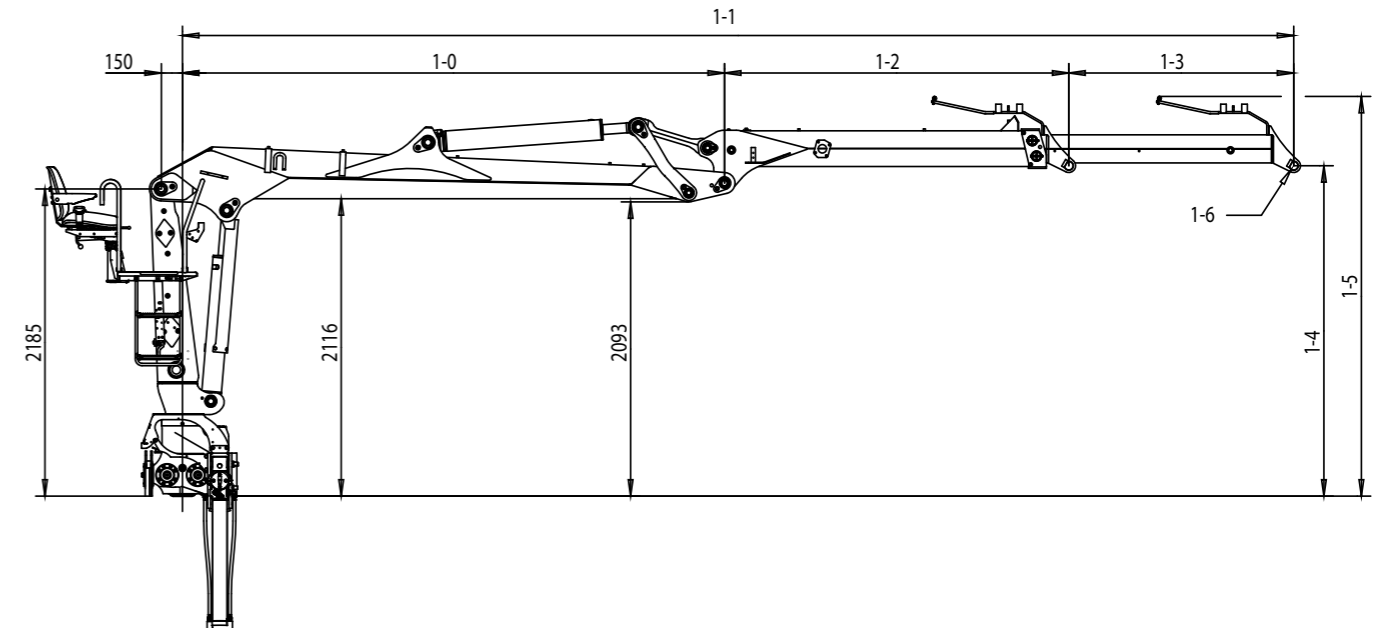
# LOGLIFT 118S BASIC DATA

Technical data	F118S 79	F118S 83	F118S 84	F118S 88	F118S 96	F118S 101
Max. lifting capacity (kNm)	116	115	113	112	108	104
Hydraulic outreach* (m)	7.9	8.3	8.4	8.8	9.6	10.1
Number of boom extensions	1	1	1	1	2	2
Outreach - lifting capacity, standard (m - kg)	3.0 - 3250	3.0 - 3250	3.0 - 3450	3.0 - 3300	3.0 - 3350	3.0 - 3400
	4.0 - 2800	4.0 - 2750	4.0 - 2750	4.0 - 2700	4.0 - 2650	4.0 - 2550
	5.0 - 2320	5.0 - 2260	5.0 - 2240	5.0 - 2200	5.0 - 2140	5.0 - 2080
	6.0 - 1960	6.0 - 1960	6.0 - 1900	6.0 - 1880	6.0 - 1820	6.0 - 1760
	7.0 - 1680	7.0 - 1680	7.0 - 1640	7.0 - 1620	7.0 - 1560	7.0 - 1500
	7.9 - 1460	8.3 - 1360	8.4 - 1340	8.0 - 1420	8.0 - 1340	8.0 - 1300
			8.8 - 1240	9.0 - 1180	9.0 - 1140	10.1 - 970
Slewing system	Double					
Slewing angle (°)	425					
Slewing torque, gross (kNm)	27.5					
Max. working pressure (MPa)	24					
Min. recommended oil flow – variable displacement pump (l/min)	170					
Weight - High seat crane with Standard stabilizer (kg)*	2040	2050	2060	2080	2220	2250
Weight - HiVision crane with Standard stabilizer (kg)**	2170	2180	2190	2210	2350	2380
Weight - Cabin crane with Standard stabilizer (kg)*	2450	2460	2470	2490	2630	2660

\* Weight with fixed pump system, oil weight included

\*\* Weight with variable pump system, oil weight included

Side view



Model	1-0	1-1 min	1-1 max	1-2	1-3	1-4	1-5	1-6
79	3856	6368	7949	2513	1580	2348	2692	Ø40, B=184
83	3856	6556	8306	2700	1750	2348	2692	Ø40, B=184
84	4355	6867	8448	2513	1580	2350	2692	Ø40, B=184
88	4355	7055	8805	2700	1750	2350	2692	Ø40, B=184
96	3856	6446	9596	2590	3150	2379	2742	Ø40, B=184
101	4355	6945	10095	2590	3150	2381	2744	Ø40, B=184

For more information,  
please visit us at [www.hiab.com](http://www.hiab.com)



# BUILT TO PERFORM

Hiab is the world's leading provider of on-road load handling equipment, intelligent services, smart and connected solutions. Hiab's class-leading load handling equipment includes HIAB, EFFER and ARGOS loader cranes, LOGLIFT and JONSERED forestry and recycling cranes, MOFFETT and PRINCETON truck mounted forklifts, MULTILIFT skiploaders and hooklifts, and tail lifts under the ZEPRO, DEL, and WALTICO brands. As the industry pioneer and with a proud 75 year history, Hiab is committed to be the preferred partner and solution provider to its customers and shape the future of intelligent load handling.

[www.hiab.com](http://www.hiab.com)

Hiab is part of Cargotec Corporation.

[www.cargotec.com](http://www.cargotec.com)

**Disclaimer.** We reserve the right to make changes. Illustrations, drawings and data are not always in accordance with the latest version or standard model in production. The models in the pictures may present special equipment or colours.

[www.hiab.com](http://www.hiab.com)



**LOGLIFT**