

JONSERED 1088S

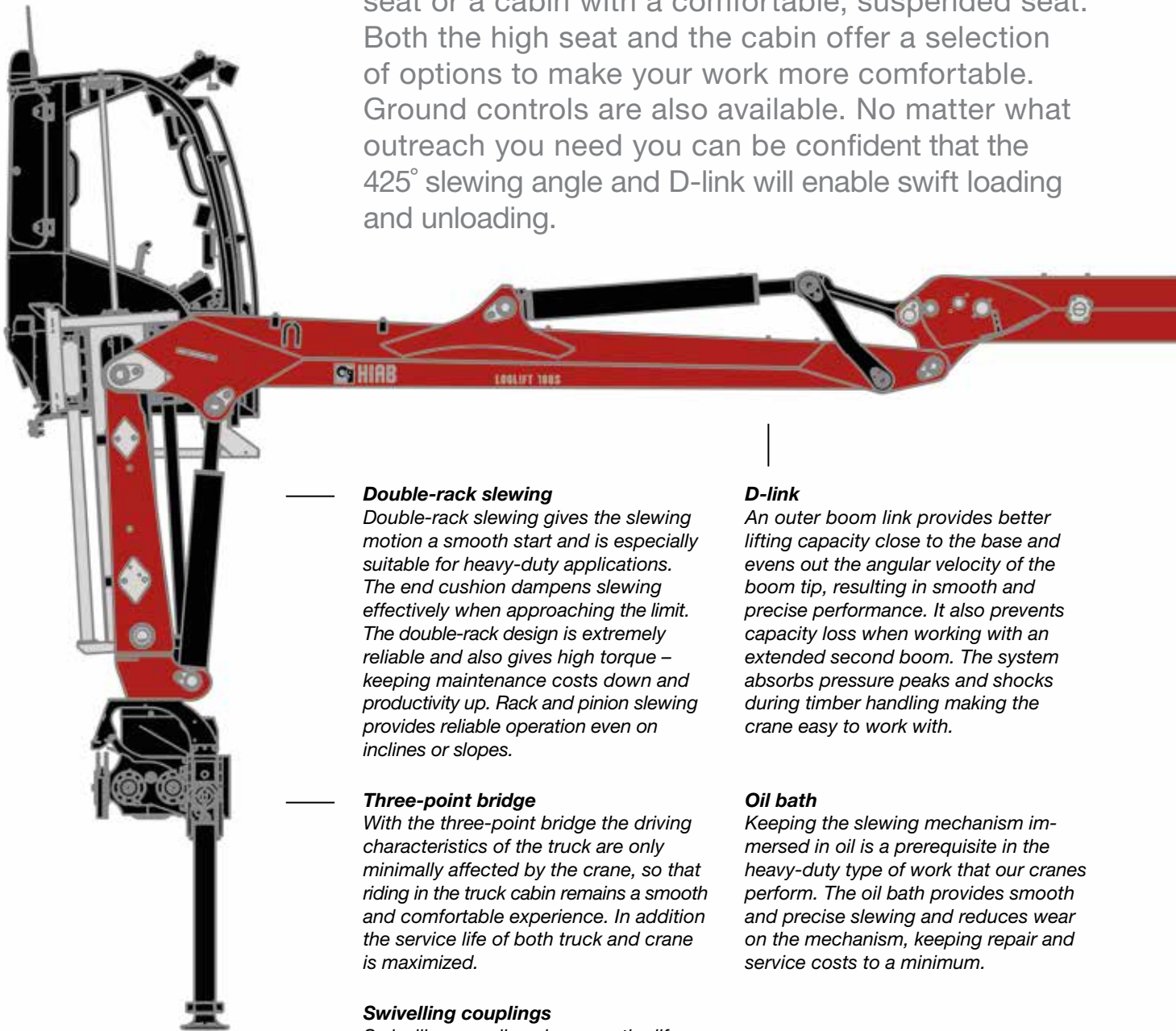
CAPACITY 11 tm



JONSERED 1088S

– A 11 tm WORKHORSE

This cut-to-length timber handling crane is available with a choice of several outreaches from 7.9 up to 10.1 metre. It can be fitted with an ergonomic high seat or a cabin with a comfortable, suspended seat. Both the high seat and the cabin offer a selection of options to make your work more comfortable. Ground controls are also available. No matter what outreach you need you can be confident that the 425° slewing angle and D-link will enable swift loading and unloading.



Double-rack slewing

Double-rack slewing gives the slewing motion a smooth start and is especially suitable for heavy-duty applications. The end cushion dampens slewing effectively when approaching the limit. The double-rack design is extremely reliable and also gives high torque – keeping maintenance costs down and productivity up. Rack and pinion slewing provides reliable operation even on inclines or slopes.

Three-point bridge

With the three-point bridge the driving characteristics of the truck are only minimally affected by the crane, so that riding in the truck cabin remains a smooth and comfortable experience. In addition the service life of both truck and crane is maximized.

Swivelling couplings

Swivelling couplings increase the lifetime of hydraulic hoses. Hoses can move more freely when the crane rotates which reduces wear. This means you spend less time on repairs and have lower maintenance costs and increased uptime.

D-link

An outer boom link provides better lifting capacity close to the base and evens out the angular velocity of the boom tip, resulting in smooth and precise performance. It also prevents capacity loss when working with an extended second boom. The system absorbs pressure peaks and shocks during timber handling making the crane easy to work with.

Oil bath

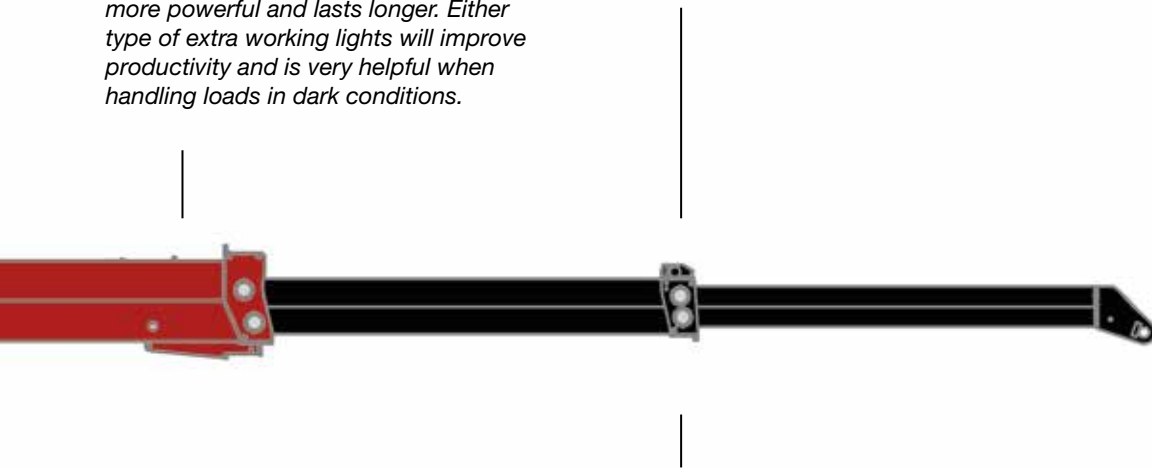
Keeping the slewing mechanism immersed in oil is a prerequisite in the heavy-duty type of work that our cranes perform. The oil bath provides smooth and precise slewing and reduces wear on the mechanism, keeping repair and service costs to a minimum.

Extra working lights

Extra halogen, xenon or LED working lights can be fitted to the high seat, cabin and/or the second boom. Extra working lights improve safety. The standard halogen bulb lights up immediately when turned on and has a soft, yellow light – whereas the xenon bulb is more powerful and lasts longer. Either type of extra working lights will improve productivity and is very helpful when handling loads in dark conditions.

Side supports for stability

Adjustable side supports, fitted on each boom extension, stabilize the boom laterally and minimize play.



Electronic warning and stop system

An electronic warning and stop system provides safety. By displaying cylinder pressure and other optional feedback signals it helps you improve manoeuvring efficiency and stability.

JIC couplings

With JIC couplings the time it takes to service a crane is shorter. No additional parts or packing are needed, leading to secure coupling with mechanical tightening only. The service intervals are longer, keeping maintenance costs down.

Casted steel base

The base keeps the column in position and connects it to the stabilizer beam. In addition to carrying the entire weight of the crane it also hosts the slewing mechanism. This places stringent requirements on the structure of bases. High quality cast steel bases are very sturdy since strain is evenly distributed. Casting is carried out in a quality controlled process to ensure strength.

Automatic stabilizer extension lock

Locks for stabilizer extensions feature a hydraulic cylinder with check valve to prevent the extensions from sliding out while the truck is on the move.

FEATURES AND BENEFITS

For handling cut-to-length logs, Hiab's solution is the S-series. Equipped with an ergonomic control station or a customized cabin, these cranes are stable and effective to use. The powerful slewing system, excellent lifting capacity over the entire reach, combined with accurate and smooth control facilities make working easy.

Weighing system (optional)

Accurate weighing of loads may be essential for running your business. This helps you maximize payloads and profitability – while at the same time prevent overloading. A USB stick can be connected to the system making it easy to provide weight and pricing to your customer. The weighing system can be installed in the cabin. It is simple to use, quick to fit, and very reliable.

Electronic control with TimberTronics control system (optional)

Simply press a few keys on the display to adjust the hydraulic functions to suit the way you operate. Maybe you prefer slewing to ramp up gently or the boom to extend faster than it retracts?

The TimberTronics control system also helps your mechanic track down the cause of any problem. He does this by plugging in a PC and running the fault diagnosis software. So you find out what's wrong in a matter of minutes.

Alternatively you can choose Hi-Cab™ cabin with Multi-Drive2 electronic control.

Extra large footplates (optional)

Extra wide circular footplates are available as an accessory. These are useful when the crane has to be stabilized on an area where the surface has to be protected, for example asphalt, or when the ground is unstable.

High seat

The high seat is comfortable, ergonomic and easy to access via its spacious steps. The seat can be adjusted upwards, downwards, forwards and backwards – enabling you to find the perfect seating position for your body. You get an excellent view of the working area with a minimum of blind angles. The control valve is strategically tucked in low, underneath the seat. This unique solution improves the driver's safety, takes away disturbing heat, and minimizes the turning radius.

Cabin (optional)

Good view in all directions. Easy access to buttons and levers. Spacious interior and comfortable seat with armrests. Smart extra options. Neat, modern design. Fitted with a control system that makes it possible to adjust the crane to suit the way you drive, including integrated weighing and a straightforward fault diagnosis system. If this matches your needs then the H-iCab could be the cabin of your choice.

Cabin extras

There are several useful options for the Hi-Cab to supplement the standard equipment. They include a 12V outlet, weighing system, cupholder, climate control, water or diesel heater, heated seat, auxiliary lighting or a radio with USB/MP3 ports. (Note that the TimberTronics control system already incorporates a weighing system.)





Internal hose routing (optional)

The hydraulic hoses are well protected within the boom system. This keeps maintenance costs down and increases productivity. The highly wear resistant hoses have an impressively long service life and are easy to change. Two functions can be routed to the boom tip, making sure you can use the tools required for your application.

Hose Protection Link (optional)

Irregular loads such as logs, branches and scrap metal can be a problem and damage equipment – hydraulic hoses in particular are at risk. The Hiab Hose Protection Link, HPL, is a smart way of protecting them. Hydraulic hoses run from the crane tip through the link down to the rotator keeping them well protected, yet accessible for service and maintenance as necessary.



ACCESSORIES

COMPLETE

YOUR SOLUTION

Appropriate accessories improve flexibility and productivity. Having the right accessories is an ideal way to increase speed and efficiency. Before you decide which tools you need, take some time to think over your operations – what services you want to be able to offer your customers.

Timber grapples

Hiab timber grapples are designed for maximized efficiency and demanding work. There are numerous models, each suited to different applications.





Sales and Service network

Hiab's global network offers extensive services that ensure the continuous, reliable and sustainable performance of our equipment. We have the most comprehensive distribution network in the industry, supporting all Hiab's customers – through sales companies in 23 countries and 65 independent distribution partners, giving us more than 1500 sales and service outlets. This service network guarantees that we are always close to you, ready to give advice on applications and provide service and spare parts.

BUILT TO PERFORM

Hiab is the world's leading provider of on-road load handling equipment. Customer satisfaction is the first priority for us. Hiab's product range includes HIAB loader cranes, JONSERED recycling and forestry cranes, LOGLIFT forestry cranes, MOFFETT truck mounted forklifts and MULTILIFT demountables, as well as DEL, WALTCO and ZEPRO tail lifts.

hiab.com

Hiab is part of Cargotec.

cargotec.com



PB-J1088S-EN-EU_160128

To learn more about JONSERED
visit hiab.com



hiab.com