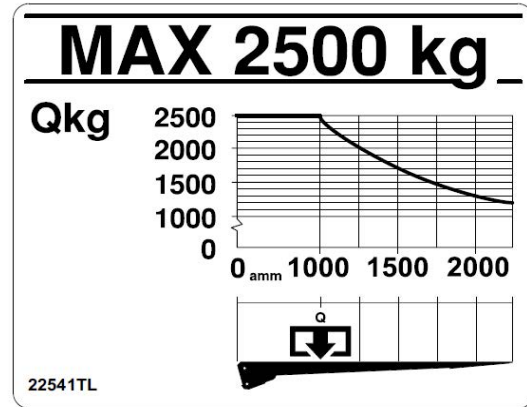


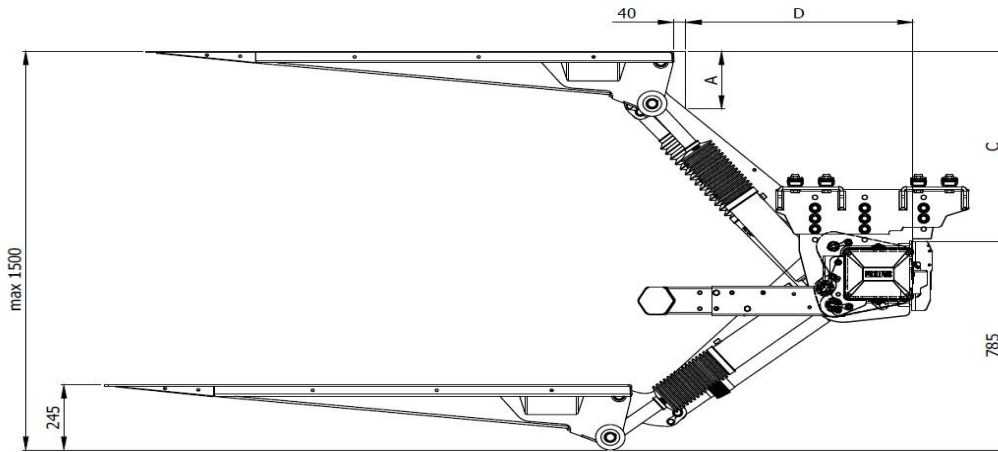
ZEPRO ZN 2500-150

Loading diagram

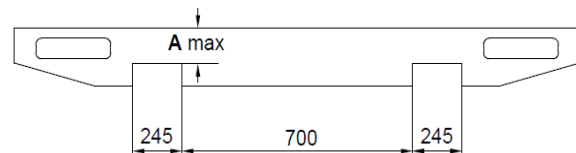
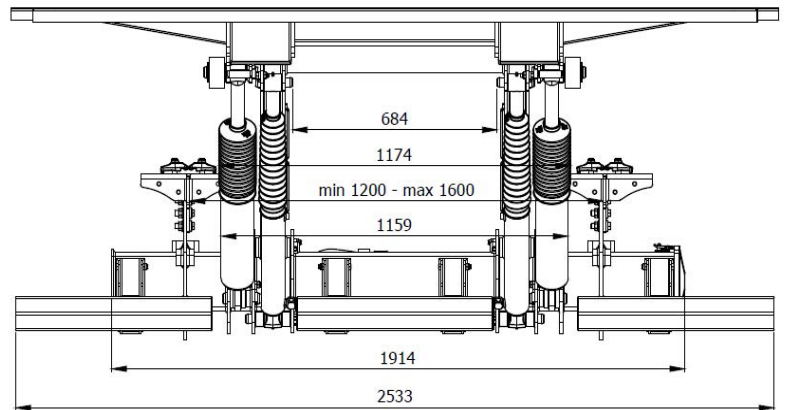
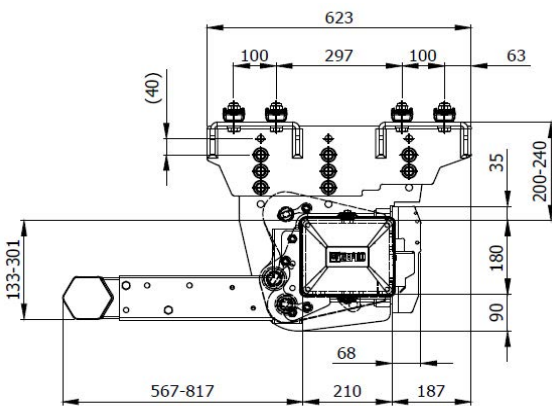
| (200 bar) | | 24 volt |
|--------------------------------|-------------------|---------------------|
| Pump – Motor Unit | | 200 A |
| Magnet (hydraulic unit) | | 2,1 A |
| Magnet (electric safety valve) | | 0,75 A |
| Solenoid | | 0,85 A |
| Cable area | Control cable | 1,5 mm ² |
| | Main cable 0-8 m | 35 mm ² |
| | Main cable 8-15 m | 35 mm ² |
| | Main cable >15 m | 50 mm ² |
| Power source | Min. capacity | 170 Ah |
| | Min. voltage | 18 volt |



Installation dimensions (mm)



| C | A | D |
|-----|-----|-----|
| 715 | 216 | 726 |
| 680 | 202 | 767 |
| 630 | 186 | 818 |
| 580 | 173 | 861 |
| 530 | 162 | 899 |
| 480 | 153 | 931 |
| 430 | 145 | 959 |
| 360 | 136 | 992 |



2017-04-20

ZEPRO Sales

Tel.: +46 (0)150 489 550

Fax: +46 (0)150 489 551, +46 (0)150 489 566

E-mail: zepro@zepro.com | zepro.com