

ZEPRO TAIL LIFT SPECIFICATION SHEET

VEHICLE DETAILS

 Truck

 Trailer

 Panel Van

 Other

Manufacturer

Model

Model Year

Voltage
 12V

 24V

 DXF/DWG or STEP file enclosed in mail

Wheelbase (mm)

Subframe Height (mm)

Vehicle Floor Thickness (mm)

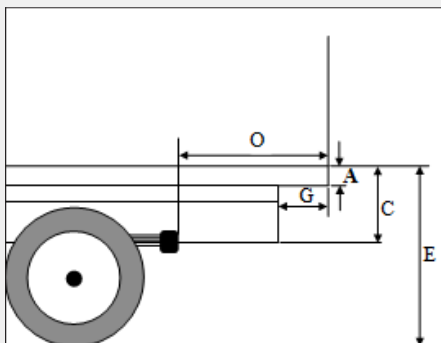
Suspension Type
 Air Springs

 Blade Springs

Tow Hook
 Centrally Mounted

 Half Under Mounted

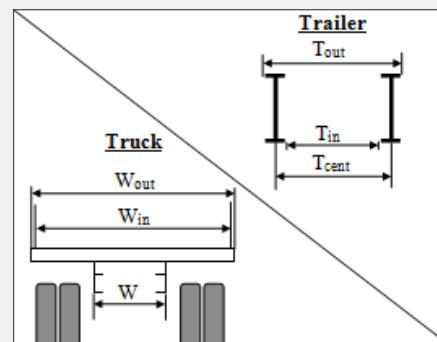
 Fully Under Mounted

 No Tow Hook

C - Floor To Bottom Of Frame (mm)

E - Lifting Height Unloaded (mm)

Overhang (O) Rear Of Springs (mm)

G Measure Rear Of Frame To Rear Of Body (mm)


T out (mm)

T cent (mm)

T in (mm)

W (mm)

W in (mm)

W out (mm)

BODY DETAILS

- Rear doors
 Platform as rear door

LIFT DETAILS

- Standard
 Slider
 Tuckaway (Folding Lift)
 Half Lift

- CE Standard
 Non CE Standard

Lifting Capacity (Kg)

Lifting Capacity Dimensions (mm)

Lifting Capacity Dimensions



- Autotilt
 ADR EXII / III
 PIEK

Surface Treatment

- Powder Paint Standard Colour
 Powder Paint Customer Colour:
 Galvanized
Min 5 pcs

Control Units

- Fixed Outside, no:
 Fixed Inside
 Spiral Inside
 Radio

PLATFORM DETAILS

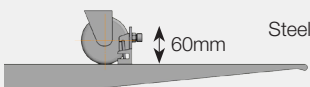
Platform Type

- Steel
 Aluminium

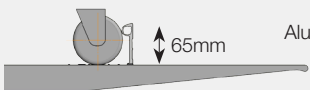
Length (mm)

Width (mm)

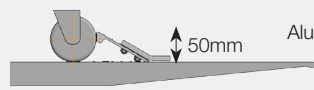
Roll Stop



Steel



Alu

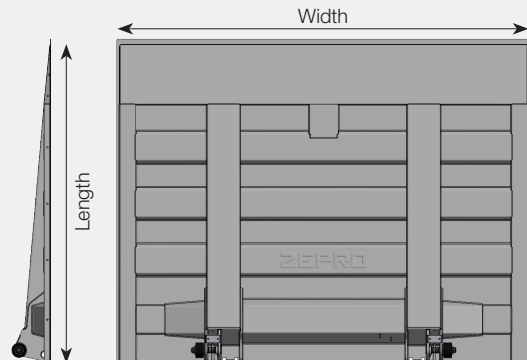


Alu

- Yes: 90 Degree,
(Steel or Alu)

- Yes: 30 Degree
(Only Alu Platform)

- YES: Bowls, layout:



Surface treatment for platform

- Powder Paint Standard Colour
 Powder Paint Customer Colour:
Min 5 pcs
- PIEK on Tearplate Side
 Spray Zink on Tear Plate Side
 Spray Zink on Back Side

Options

- Mechanical Lock
 Warning Light
 Yellow Line 3 sides
 Yellow Feet