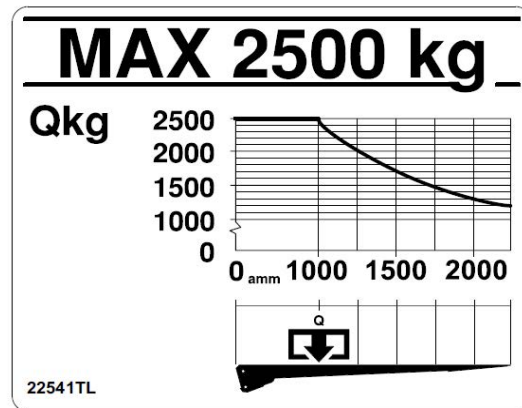


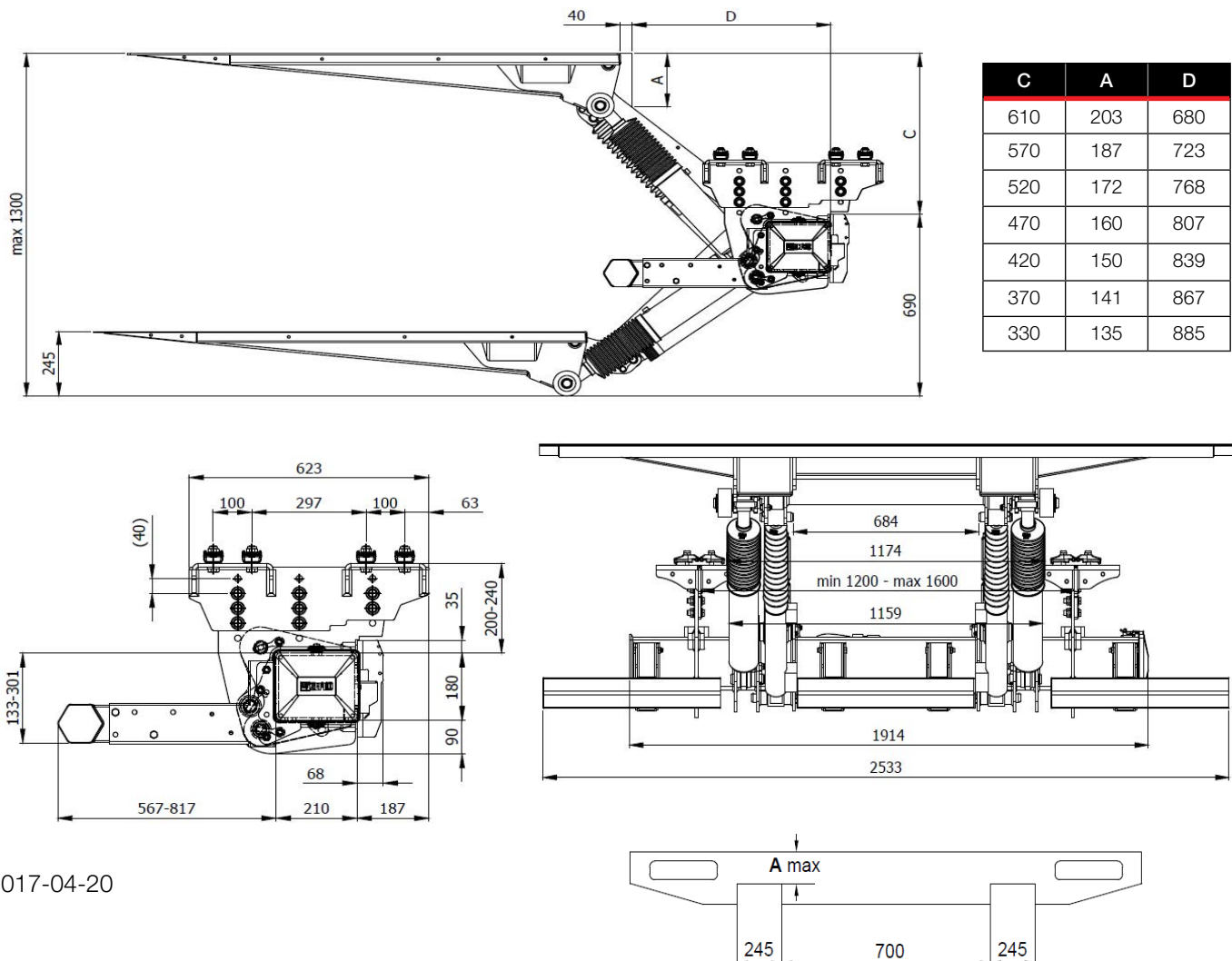
# ZEPRO ZN 2500-130

Loading diagram

(200 bar)		24 volt
Pump – Motor Unit		200 A
Magnet (hydraulic unit)		2,1 A
Magnet (electric safety valve)		0,75 A
Solenoid		0,85 A
Cable area	Control cable	1,5 mm <sup>2</sup>
	Main cable 0-8 m	35 mm <sup>2</sup>
	Main cable 8-15 m	35 mm <sup>2</sup>
	Main cable >15 m	50 mm <sup>2</sup>
Power source	Min. capacity	170 Ah
	Min. voltage	18 volt



Installation dimensions (mm)



2017-04-20

## ZEPRO Sales

Tel.: +46 (0)150 489 550

Fax: +46 (0)150 489 551, +46 (0)150 489 566

E-mail: [zepro@zepro.com](mailto:zepro@zepro.com) | [zepro.com](http://zepro.com)