

Specification Sheet for FC500 Range

Company Name: _____ Date: _____

Order Number: _____ Quantity required: _____

Deliver Lift Collect Lift from Del Delivery Date Required: _____

Delivery Address

Company Name: _____ Street Address: _____

Post Code: _____ City: _____

Vehicle Details

Rigid

Vehicle Type:

Box Van Curtainsider

Vehicle Make & Model: _____

Chassis Mass: _____

[For Dimensions Information, see Sheet 4.](#)

Dimension A (Floor Height): _____ mm (**Max 1060mm**)

Please select Dimension L (Distance from the vehicle floor to the top of the lift roof) size below:

2220mm 2240mm 2275mm 2300mm 2345mm

2400mm 2475mm 2515mm 2545mm 2605mm

Please select W (Width over Panels) size below:

2065mm 2075mm 2085mm 2090mm

2135mm 2190mm 2235mm 2280mm

Vehicle Voltage:

12v 24v

Tail Lift Details

Lift Capacity:

500kg

Platform Working Area:

42" (1065mm) 46" (1168mm) 54" (1370mm)

Rear Ramp Type:

8" (205mm) Fixed Leading Edge (Trolley Stops standard)

External Control:

Slimline pre-wired Control Fixed Control Detachable Wanderlead

Internal Control:

Fixed Control Hard wired Wanderlead None **(Only applicable with Detachable Wanderlead)**

Tail Lift Isolator:

Cab Switch **(Not required if you have Single Detachable Wanderlead).**

Cable Options:

27' Battery Cables (Standard) 35' Battery Cables Plug & Play Kit **(Please see page 3 for details)**

Fence Type:

N/S Drop Down Fence & O/S Auto Erect Fence O/S Drop Down Fence N/S Auto Erect Fence Pair of Drop Down Fences
 Pair of Auto Erect Fences Pair of Drop in Fences Sockets only for Drop in Fences

Options:

Low Floor Application (Bed Heights lower than 800mm) Battery Guard Left Hand Drive

Warranty Options: **(12 Month Warranty as standard)**

2 Year Warranty 3 Year Warranty 4 Year Warranty 5 Year Warranty

To be completed by DEL

Part Number of Lift: _____

Price of each Lift: _____

Plug & Play Kit Options:

Option 1 – Plug & Play on Power, Earth & 2-Core Only.

Cables attached to the Tail Lift Power Pack/ Beam:

1800mm CABLE FOR CAB SWITCH WITH PLUG

2000mm BATTERY CABLES WITH PLUG

Kit Box sent in advance includes:

21' POWER CABLE (WIRED TO ANDERSON PLUG)

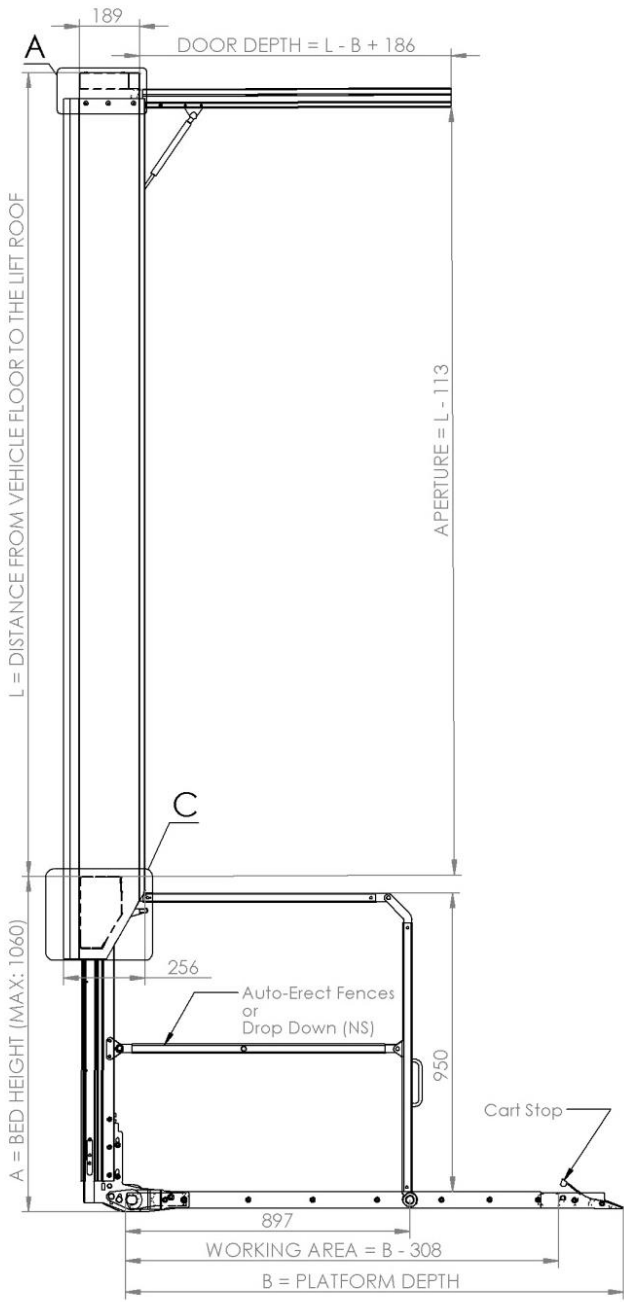
WIRED TO 200A MEGA FUSE

21' EARTH CABLE (WIRED TO ANDERSON PLUG)

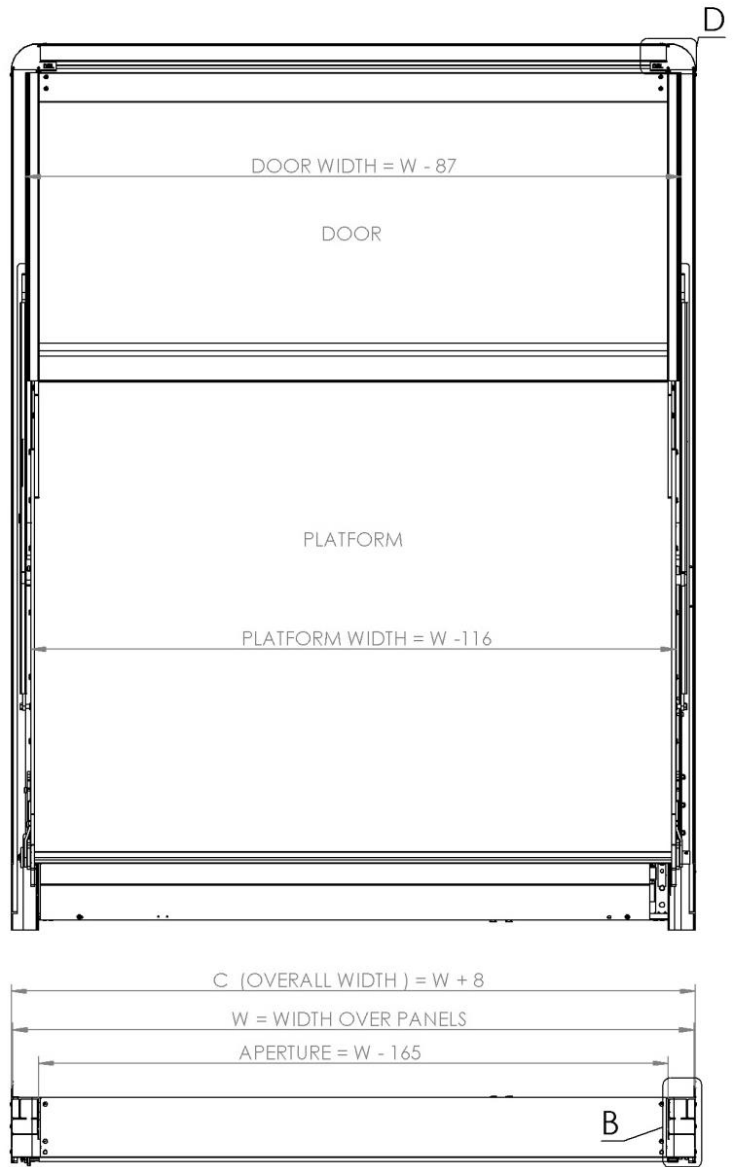
30' 2 CORE FOR CAB SWITCH WITH CONNECTOR

CAB SWITCH KIT

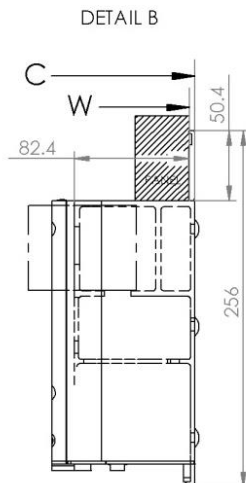
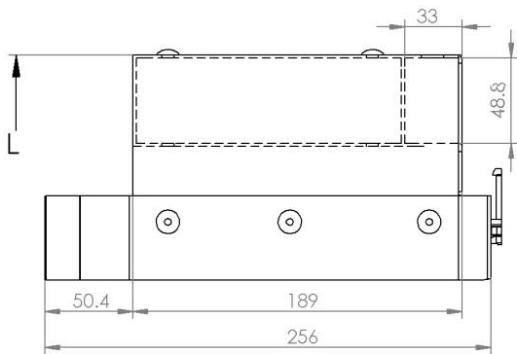
Plug & Play Kit to be supplied with the Lift Plug & Play Kit sent in advance (**large volume orders only**).



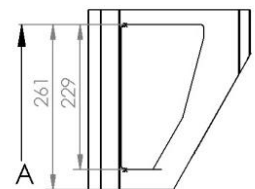
DETAIL A



DETAIL B



DETAIL C



DETAIL D

