

ZEPRO ZR 10/15

THE ROBUST FOLDING LIFT FOR FLEXIBLE DISTRIBUTION





ZEPRO ZR 10/15

Introducing ZEPRO ZR 10/15, the robust folding lift for flexible distribution. Easily accessible when you need it for loading and off-loading; tucked neatly out of your way when working at fixed loading docks.

- Compact design – easy to install and fits most vehicles
- Easy adjustment to fit truck frame width, thanks to floating brackets
- Two cylinder design – light weight construction with maximum stability
- Two button function – easy to use
- Robust adjustable underrun bar – quick and compliant installation
- Low height and light weight aluminium profile platform
- Twin ram and wide arm profile for load stability
- Trolley stops as standard
- Low noise operation
- Mechanical autotilt feature – robust, durable and minimal maintenance time
- Service friendly – very few maintenance points and easy to access



Swedish steel combines low weight & high strength



Component protection ensures long-term reliability



Handles heavy loads without compromising on safety

ZR 10/15 lifting capacity 1000/1500 kg

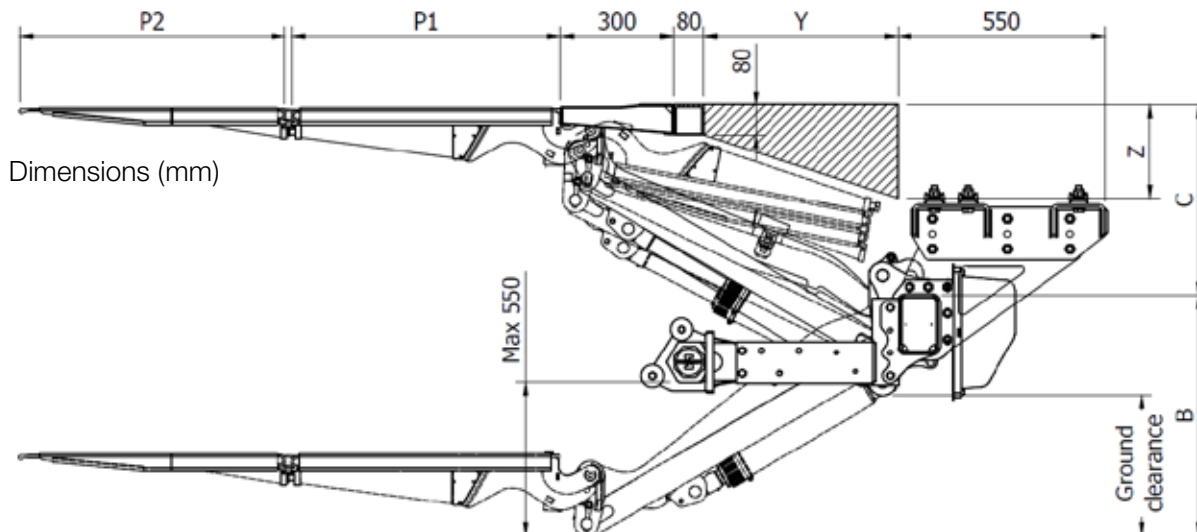
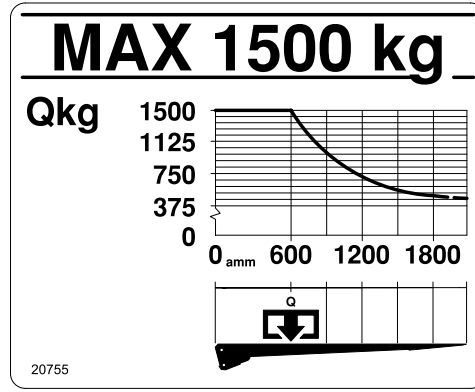
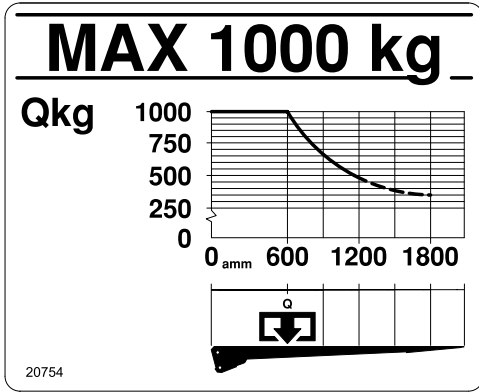
Specifications	
Lifting capacity	1000, 1500 kg
Maximum lifting height	1350 mm
Vehicle frame width	760-900, 1200, 1300 mm
Voltage	24 V
Colours	Black RAL7021 as standard, other RAL on request
Drive system	Two single acting cylinders and mechanical autotilt
Bumper bar	Fully adjustable, 3 sections
Available models	ZR 10-135, ZR 15-135

Platforms	Lengths	Widths
Aluminium	1055, 1315, 1440 mm	2200 – 2600 mm

Weights, examples		
Lift	ZR 10/15-135 314 kg	ZR 10/15-135 314 kg
Alu/alu platform	1055 x 2300 mm 74 kg	1315 x 2300 mm 88 kg

ZEPRO ZR 10/15

Load diagrams



ZR 10/15-135

C	X	Z	Y
675	868	400	383
550	969	300	484
450	1027	200	542

TAIL LIFT OPTIONS

Side loading ramps

Possibility to load from the platform side even from docks and pavements. Available in aluminium in several sizes.



Warning lights

To increase the safety of loading and unloading warning lights can be mounted on the lift. Activated automatically when the platform is lowered to a horizontal position.



Additional control unit

Additional control units are available in several versions for fixed installation, spiral cable or radio control.



ZEPRO QUALITY — ALL THE WAY

- Easy-to-follow yearly maintenance program that significantly reduces unplanned downtime
- Our global network of service centres puts parts and assistance within easy reach
- Technical support team just a phone call away



ZEPRO

MARKET LEADER IN TAIL LIFTS

ZEPRO is a Swedish manufacturer of tail lifts with over 40 years of experience. Designed to overcome the arctic winters of northern Europe, desert heat and tropical moisture, our tail lifts are made to always deliver – no matter where you are. Thanks to high-quality materials and components, ZEPRO has become a leading brand known for durability, reliability, a wide product range and a global service network. The company is now a part of Hiab and Cargotec, leading suppliers of load handling solutions for professional users.

Nobody can match our quality and precision. In the world of tail lifts, ZEPRO is second to none.



To learn more about ZEPRO
visit zepro.com

