

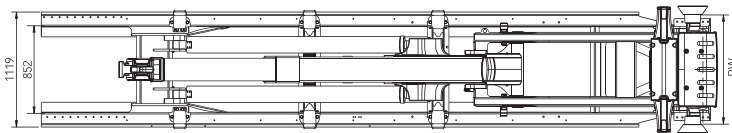
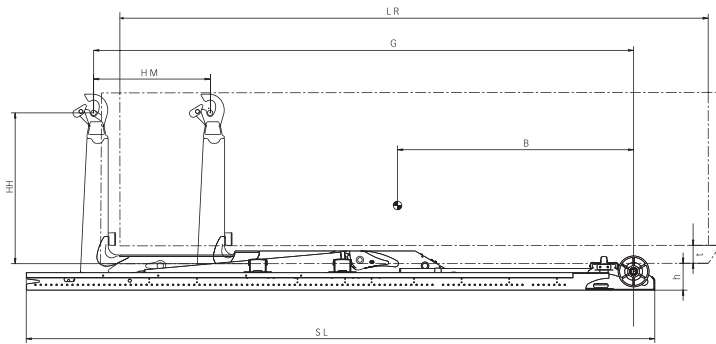
Hiab Multilift XP Classic range hooklifts



Technical information

XP18S

Type	XP18S.46	XP18S.53
Vehicle type	3-axle	
Gww of the vehicle (t)	26	
Capacity (t)	18	
G-length	46	53
System weight (kg) *	1770	1960
Tipping angle (°)	50	52
Max. operating pressure (mpa)	30	
Recommended max. oil flow (l/min)	80	



* Weight includes hydraulic body locking and excludes oil tank and oil.

** The subframe length (SL) can be reduced to achieve a final installation length. The minimum installation length depends upon country and control valve position. For an exact installation length dimension please contact your local Hiab Multilift dealer.

Hiab Multilift equipments meet the demands set forth in the EU Machine Directive and they are CE marked.

We reserve the rights for modifications.

Illustrations do not always show an equipment in standard version.

Model	XP18S.46	XP18S.53
LR = Body length (m) min - max	4.0 – 5.6	4.5 – 6.4
SL = Subframe length (mm) **	5308	6508
B = Centre of gravity (mm)	2450	2850
G = Exact g-length (mm)	4580	5360
HM = Horizontal movement (mm)	900	1100
t = Min. free tunnel height (body) (mm)	125	125
h = Installation height (mm)	230	230
BW = Body width (mm)	1070	1070
HH = Hook height (Mm)	1425/1450/1570	1425/1450/1570

Cargotec improves the efficiency of cargo flows on land and at sea - wherever cargo is on the move. Cargotec's daughter brands, Hiab, Kalmar and MacGregor are recognised leaders in cargo and load handling solutions around the world. Cargotec's global network is positioned close to customers and offers extensive services that ensure the continuous, reliable and sustainable performance of equipment. www.cargotec.com



Cargotec Finland Oy
 Nesteentie 36, P.O.Box 39
 FI-21201 Raisio, Finland
 tel. +358 204 55 2399
 fax +358 204 55 2231
www.hiab.com