

# HIAB X-DUO 148



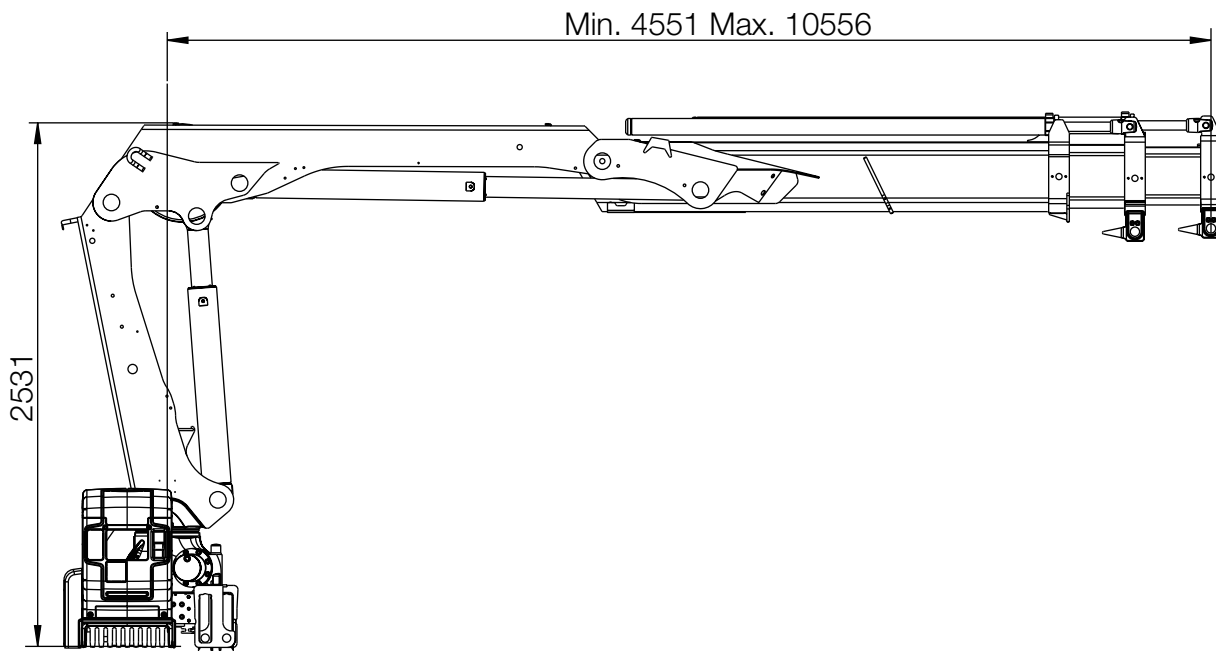
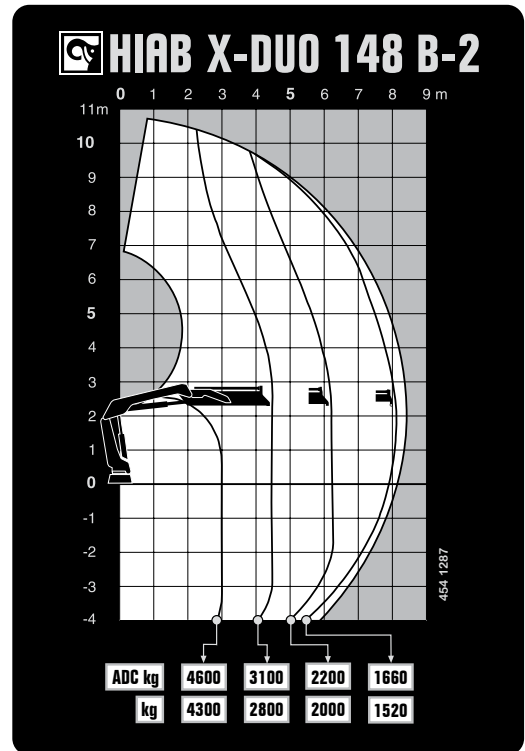
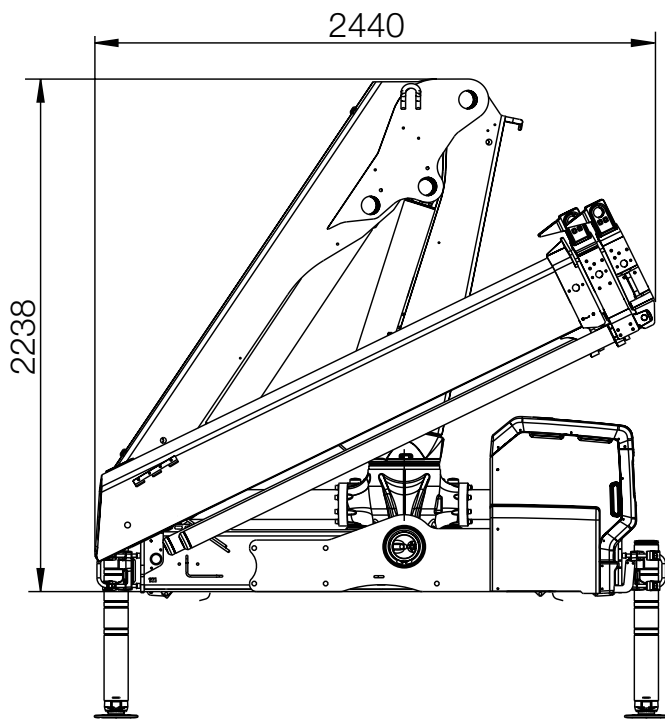
# HIAB X-DUO 148 BASIC DATA

BASIC DATA	X-Duo 148 B-2	X-Duo 148 B-3	X-Duo 148 D-4	X-Duo 148 E-3	X-Duo 148 ES-3
Mdyn	176 kNm	179 kNm	182 kNm	179 kNm	178 kNm
Lifting capacityk (Nm)	122	119	113	113	114
Lifting capacity (tm)	12,4	12,1	11,5	11,5	11,6
Lifting capacity (ADC) (kNm)	134	131	123	126	127
Lifting capacity (ADC) (tm)	13,7	13,4	12,5	12,8	13
Outreach - lifting capacity, standard (m-kg)	2,9 - 4 600	3,1 - 4 300	3,4 - 3 700	2,4 - 5 300	2,2 - 5 600
	4,4 - 3 100	4,5 - 2 900	4,6 - 2 700	4,6 - 2 800	4,3 - 3 000
	6,2 - 2 200	6,3 - 2 000	6,4 - 1 880	6,4 - 1 960	6,1 - 2 000
	8,1 - 1 660	8,2 - 1 540	8,4 - 1 360	8,3 - 1 480	8 - 1 520
		10,3 - 1 200	10,4 - 1 060 12,6 - 860	10,4 - 1 160	10,1 - 1 200
Outreach - lifting capacity, manual extensions (m-kg)	10 - 1 220	12,2 - 900	14,9 - 660	12,6 - 880	12,3 - 920
Hydraulic outreach, standard (m)	8,4	10,6	12,8	10,5	10,2
Hydraulic boom extension (m)	3,9 m	5,9 m	8,1 m	5,9 m	5,9 m
Outreach, manual extensions (m)	0	12,8	0	0	0
Lifting height above installation level, hydr/man (m)	10,8 / 15,2	13,0 / 15,2	14,7 / 19,8	12,9 / 19,8	12,6 / 19,5
Rec. oil flow (l/min)	45 - 50	45 - 50	45 - 50	45 - 50	45 - 50
Working pressure (Mpa)	25,9	25,9	25,9	28,3	28,3
Oil in tank (l)	70 - 200	70 - 200	70 - 200	70 - 200	70 - 200
Tank capacity (l)	0 - 235	0 - 235	0 - 235	0 - 235	0 - 235
Slewing angle (°)	415	415	415	415	415
Max slope viable at full capacity (°)	5	5	5	5	5
Slewing torque, gross (kNm)	16,4	16,4	16,4	16,4	16,4
Slewing speed 80 (°/s)	15	15	15	15	15
Slewing speed (°/s)	15	15	15	15	15
Lifting speed at standard hydraulic outreach (m/s)	1,1	1,4	2,1	1,5	1,7
Height in folded position (mm)	2 238	2 238	2 236	2 261	2 261
Width in folded position (mm)	2 440	2 498	2 483	2 402	2 402
Install space required with hose and pipe kit (mm)	1 020	1 018	1 036	1 045	1 045
Crane in standard version without stabiliser system (kg)	1 550	1 660	1 910	1 900	1 890
Frame attachments (kg)	32 - 65	32 - 65	32 - 65	32 - 65	32 - 65
Stabiliser system (kg)	244 - 385	244 - 385	244 - 385	244 - 385	244 - 385

This table show one example of a model, and represents some of all options available. With the opportunity to configure your crane, we can provide you with a crane perfectly tailored to your needs.

Please contact your local dealer for more information and exact data on the variety of options we can offer.

# Hiab X-DUO 148 B-2



# BUILT TO PERFORM

Hiab is the world's leading provider of on-road load handling equipment. Customer satisfaction is the first priority for us. Hiab's product range includes HIAB loader cranes, JONSERED recycling and forestry cranes, LOGLIFT forestry cranes, MOFFETT truck mounted forklifts and MULTILIFT demountables, as well as DEL, WALTCO and ZEPRO tail lifts.

[hiab.com](http://hiab.com)

Hiab is part of Cargotec.

[cargotec.com](http://cargotec.com)



© BD-XDU0148-EN-WW\_160810



[hiab.com](http://hiab.com)