

# LOGLIFT 251S



BASIC DATA

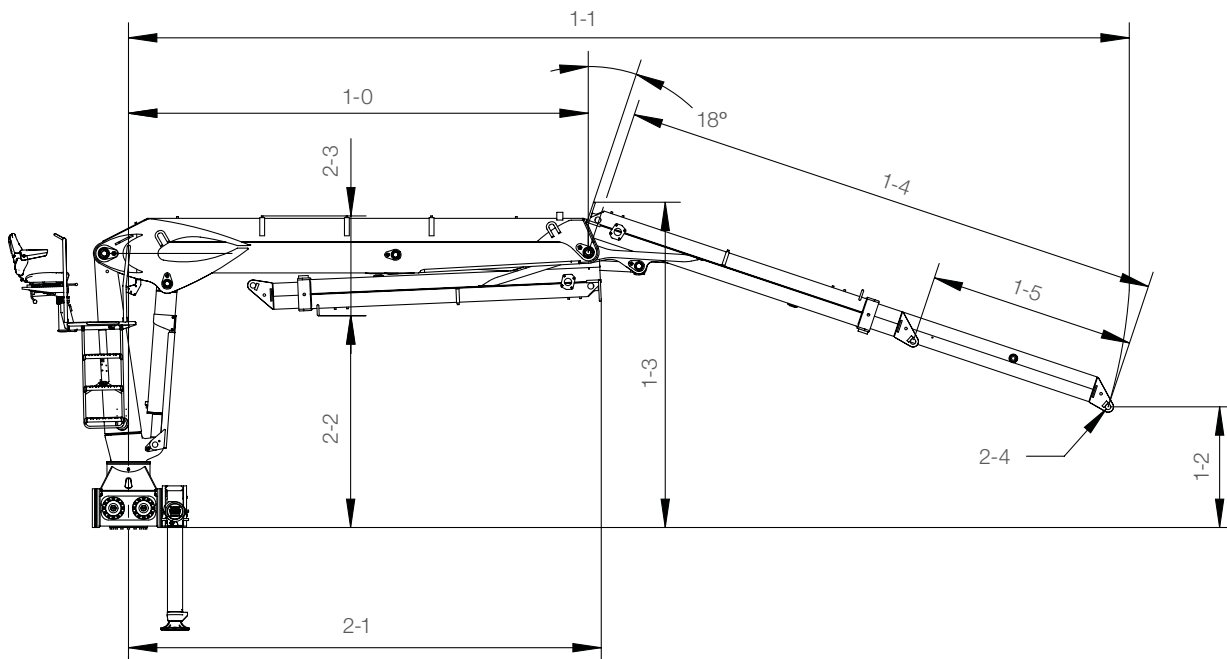
# LOGLIFT 251S BASIC DATA

Technical data	F251S 79C	F251S 80A	F251S 82A	F251S 83C
Max. lifting capacity (kNm)	225	230	228	223
Hydraulic outreach* (m)	7.94	8.00	8.20	8.30
Number of extensions	1	1	1	1
Outreach - lifting capacity, standard (m - kg)	4.0 - 5600 5.0 - 4500 6.0 - 3750 7.0 - 3200	4.0 - 5700 5.0 - 4600 6.0 - 3800 7.0 - 3250	4.0 - 5700 5.0 - 4550 6.0 - 3800 7.0 - 3250	4.0 - 5200 5.0 - 4350 6.0 - 3700 7.0 - 3150 8.0 - 2700
Slewing system				
Slewing angle (°)				
Slewing torque, gross (kNm)				
Max. working pressure (MPa)				
Recommended oil flow – fixed pump (l/min), 1-pump				
Recommended oil flow – fixed pump (l/min), 2-pump				
Min. recommended oil flow – variable displacement pump (l/min)				
Weight - High seat crane with standard stabilizer equipment (kg)*	2690	2600	2610	2700
Weight - HiVision crane with standard stabilizer equipment (kg)**	2820	2730	2740	2830

\* Weight with fixed pump system. Oil weight included.

\*\* Weight with variable pump system, oil weight included

## Side view



F251S 84A	F251S 84C	F251S 88C	F251S 89A	F251S 95C	F251S 96D	F251S 100C	F251S 101D
228	222	220	225	210	210	206	206
8.40	8.45	8.84	8.90	9.50	9.62	10.00	10.12
1	1	1	1	2	2	2	2
4.0 - 5600 5.0 - 4550 6.0 - 3800 7.0 - 3250 8.0 - 2500	4.0 - 5500 5.0 - 4450 6.0 - 3700 7.0 - 3150 8.0 - 2750	4.0 - 5500 5.0 - 4400 6.0 - 3650 7.0 - 3100 8.0 - 2700	4.0 - 5600 5.0 - 4500 6.0 - 3750 7.0 - 3200 8.0 - 2800 8.5 - 2450	4.0 - 4900 5.0 - 4150 6.0 - 3500 7.0 - 3000 8.0 - 2600 9.0 - 1900	4.0 - 4900 5.0 - 4150 6.0 - 3500 7.0 - 3000 8.0 - 2600 9.0 - 2300	4.0 - 4700 5.0 - 4100 6.0 - 3450 7.0 - 2950 8.0 - 2550 9.0 - 2260 9.5 - 1840	4.0 - 4750 5.0 - 4100 6.0 - 3450 7.0 - 2950 8.0 - 2550 9.0 - 2260 9.5 - 2140
Double							
415							
42							
26							
80							
2 x 80							
175							
2630	2730	2740	2670	2920	2930	2950	2960
2760	2860	2870	2800	3050	3060	3080	3090

Model	1-0	1-1 min	1-1 max	1-2	1-3	1-4	1-5	2-1	2-2	2-3	2-4
79C	3800	6330	7945	1095	2690	4230	1650	3900	1770	825	Ø40, B=184
80A	3800	6330	8000	1090	2690	4280	1700	3905	1765	830	Ø45, B=80
82A	3800	6530	8200	1005	2690	4480	1700	3905	1765	830	Ø45, B=80
83C	3800	6720	8340	965	2690	4630	1650	3900	1765	830	Ø40, B=184
84A	3800	6730	8400	935	2690	4690	1700	3905	1755	840	Ø45, B=80
84C	4300	6830	8450	1095	2690	4230	1650	4400	1765	830	Ø40, B=184
88C	4300	7220	8840	965	2690	4630	1650	4400	1765	830	Ø40, B=184
89A	4300	7230	8900	935	2690	4690	1700	4405	1745	850	Ø45, B=80
95C	3800	6550	9500	645	2705	5800	3000	3905	1735	860	Ø40, B=184
96D	3800	6625	9625	2145	2705	5825	3000	3875	1110	1485	Ø40, B=184
100C	4300	7050	10000	645	2705	5800	3000	4405	1735	860	Ø40, B=184
101D	4300	7125	10125	2145	2705	5825	3000	4375	1110	1485	Ø40, B=184

For more information,  
please visit us at [www.hiab.com](http://www.hiab.com)



# BUILT TO PERFORM

Hiab is the world's leading provider of on-road load handling equipment. Customer satisfaction is the first priority for us. Hiab's product range includes HIAB loader cranes, JONSERED recycling and forestry cranes, LOGLIFT forestry cranes, MOFFETT truck mounted forklifts and MULTILIFT demountables, as well as DEL, WALTCO and ZEPRO tail lifts.

[hiab.com](http://hiab.com)

Hiab is part of Cargotec.

[cargotec.com](http://cargotec.com)

**Disclaimer.** We reserve the right to make changes. Illustrations, drawings and data are not always in accordance with the latest version or standard model in production. The models in the pictures may present special equipment or colours.

[www.hiab.com](http://www.hiab.com)



**LOGLIFT**