

Specification Sheet for Retractable Lift

Company Name: _____ Date: _____

Order Number: _____ Quantity required: _____

Deliver Lift Collect Lift from Del Delivery Date Required: _____

Delivery Address:

Company Name: _____ Street Address: _____

Post Code: _____ City: _____

Vehicle Details

General

Truck GWV: _____ Trailer

Manufacturer: _____ (optional)

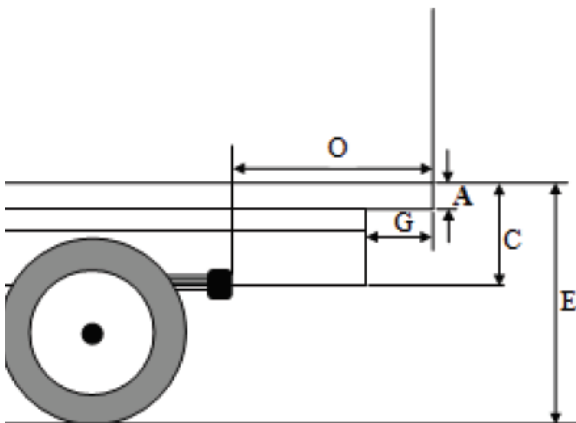
Model: _____ (optional)

Model year: _____ (optional)

Vehicle Voltage 12v 24v

Fitting

Please fill in the geometrical data in pictures below:



All vehicles:

Floor to bottom of frame – C (mm): _____

Rear of frame to rear of body – G (mm): _____

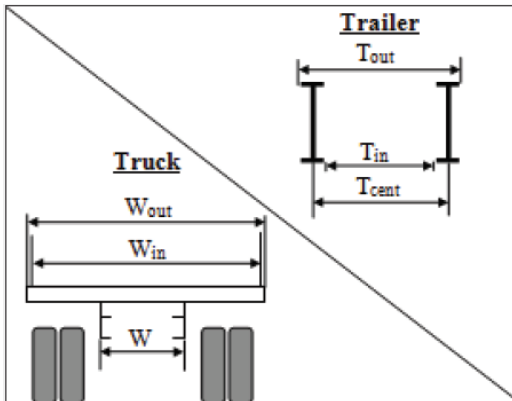
Lifting height unloaded – E (mm): _____

Width of body, external – W_{out} (mm): _____

Overhang rear of springs – O (mm): _____

Width of body, internal – W_{in} (mm): _____

Height of rear sill – A (mm): _____



If truck:

Specify chassis width – W (mm): _____

Are spacers needed due to bolt heads extending on the outside of chassis? Yes No

If trailer:

Specify C-C measurement of chassis I-beams – T_{cent} (mm): _____

Specify inner measurement of chassis I-beams – T_{in} (mm): _____

Specify outer measurement of chassis I-beams – T_{out} (mm): _____

Tow hook

No tow hook Central mount Half under mount Full under mount

Suspension type

Air springs Blade springs

Tail Lift Details

Lifting capacity: 1500 kg 2000 kg 2500 kg

Lifting height: As per E-measurement above Other: _____

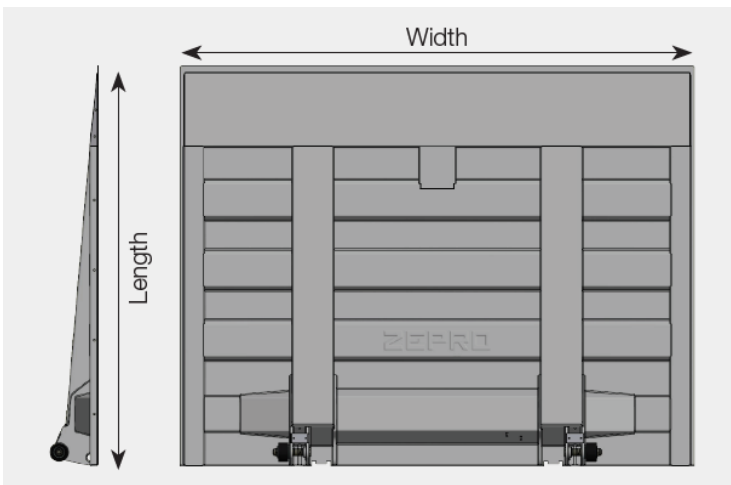
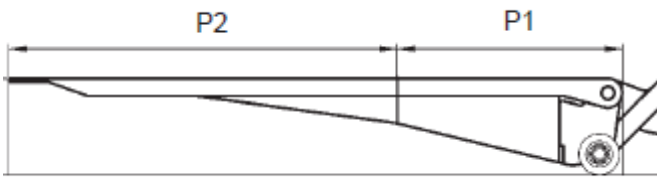
Surface treatment: Powder paint standard colour (RAL 7024, grey)
 Powder paint, customer colour (min 5 pcs) – RAL: _____
 Galvanized

Control units (max 3) Fixed outside Fixed inside Spiral inside Foot control Radio

Auto-tilt: Yes No

Platforms

- 90° roll stops always included.
- Platform material aluminium unless otherwise specified



If a non-standard size is required, please contact your sales agent. This will need to be approved by DEL Engineering, could incur an extra charge and an extended deliver time.

SZFTS (Truck and Trailer 2000 kg) – platforms always equipped with painted 3W flip ramps.

Platform length: 1200 mm (galv steel) 1300 mm (galv steel)

Platform width: 2460 mm

ZTS (Trailer 1500 and 2000 kg) Folding Platform Lift

Platform length: 1650 mm (680+960) 1705 mm (635+1060) 1865 mm (895+960)

Platform width: 2450 mm

ZSS (Truck 1500 and 2000 kg) Folding Platform Lift

Platform length: 1650 mm (680+960) 1756 mm (786+960) 1865 mm (895+960)

Platform width: 2450 mm

ZTS and ZSS (2500 kg) P1 steel – P2 aluminium Folding Platform Lift

Platform length: 1645 mm (675+910) 1740 mm (675+1005) 1815 mm (750+1005)

Platform width: 2450 mm

Options:

Cable Options: 27' Battery Cables, 35 mm (Standard) 43' Battery Cables, 35 mm
 60' Battery Cables, 50 mm

Platform Options - ZS/ZT: Warning Lights Pair Detachable Side Guards

Platform Options – SZF: P-gates Rear roll-stops

Other options:

Low noise - PIEK regulation (lift and platform)

2 Year Warranty 3 Year Warranty 4 Year Warranty 5 Year Warranty

To be completed by DEL

Part Number of Lift: _____

Price of each Lift: _____