

JONSERED 1100RS

WORK WITH EASE





TURNING WASTE INTO VALUE



There was a time when waste was just waste. But those days are long gone. Today waste means business and putting resources back into the circular economy. Today recycling is a growing industry and an important one for the environment and the generations to come.

The JONSERED 1100RS is a crane especially designed to help you move things along in the recycling value chain as efficiently, sustainably and safely as possible. The efficient hydraulic system in combination with the S-boom system gives you long outreach in combination with power, speed and excellent control properties that allow you to work fast with safety and precision.

EFFICIENCY AND TOUGHNESS FOR SUSTAINABLE BUSINESS

JONSERED 1100RS is suited for heavy recycling. Robust, powerful and light-weight with an optional choice of control station for operation from an optimal vantage point. To safeguard a long sustainable life for your crane it is sturdily built and especially adapted for heavy-duty operations and coated using the sustainable nDurance paint process for the markets best surface protection.

Hose protection link

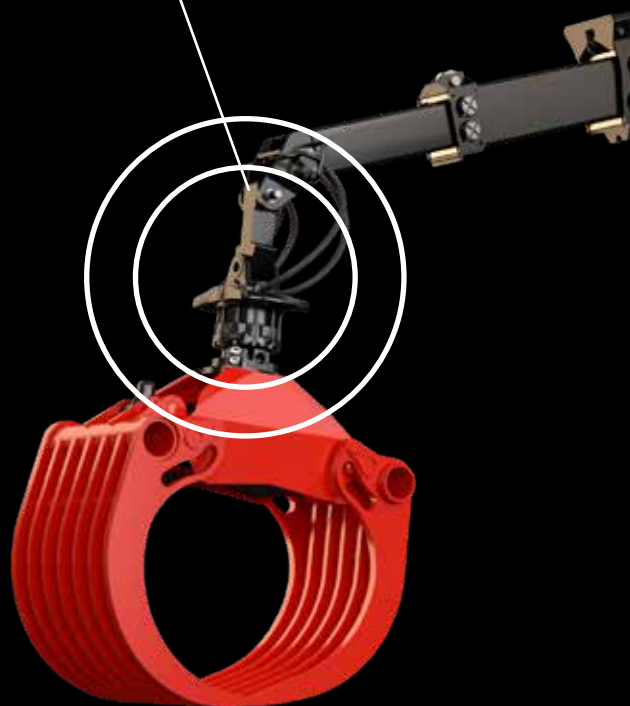
HPL safe guard against blows and sticking. Protecting hoses on any crane is important, but especially in the harsh environment of scrap handling. Hose Protection Link (HPL) gives extra protection — from crane tip to rotator — against accidental impacts. The system includes the rotator and hanger to provide a complete and integrated solution.

- Generous bearing dimensions for minimum wear
- Cleverly designed plug-in fittings
- Easy access for tightening, service and maintenance
- Quick-change hoses



Hose Protection Link (HPL)

Internal hose routing



nDurance™

nano-technology paint process for all-weather protection

Rain, dust, sand and sunlight are unforgiving forces that wear on a crane all year around. This is why we have created nDurance — a technologically advanced and environmentally sound pre-treatment and paint process, based on nano-technology combined with state-of-the-art e-coating and powder painting.

- Nano-technology covers every square millimetre
- Three different protective layers for highest corrosion resistance
- 100 % phosphate free
- No heavy metals and virtually zero waste

Oil filled bearing

To ensure JONSERED life on the rack and bushing the slewing an oil bath. The friction cooling effect of oil reduce life time c

Optional control stations

A good unobstructed view over the working area is essential when you need to get the job done quickly, efficiently and safely. Your JONSERED recycle crane gives you a choice of different user interfaces.

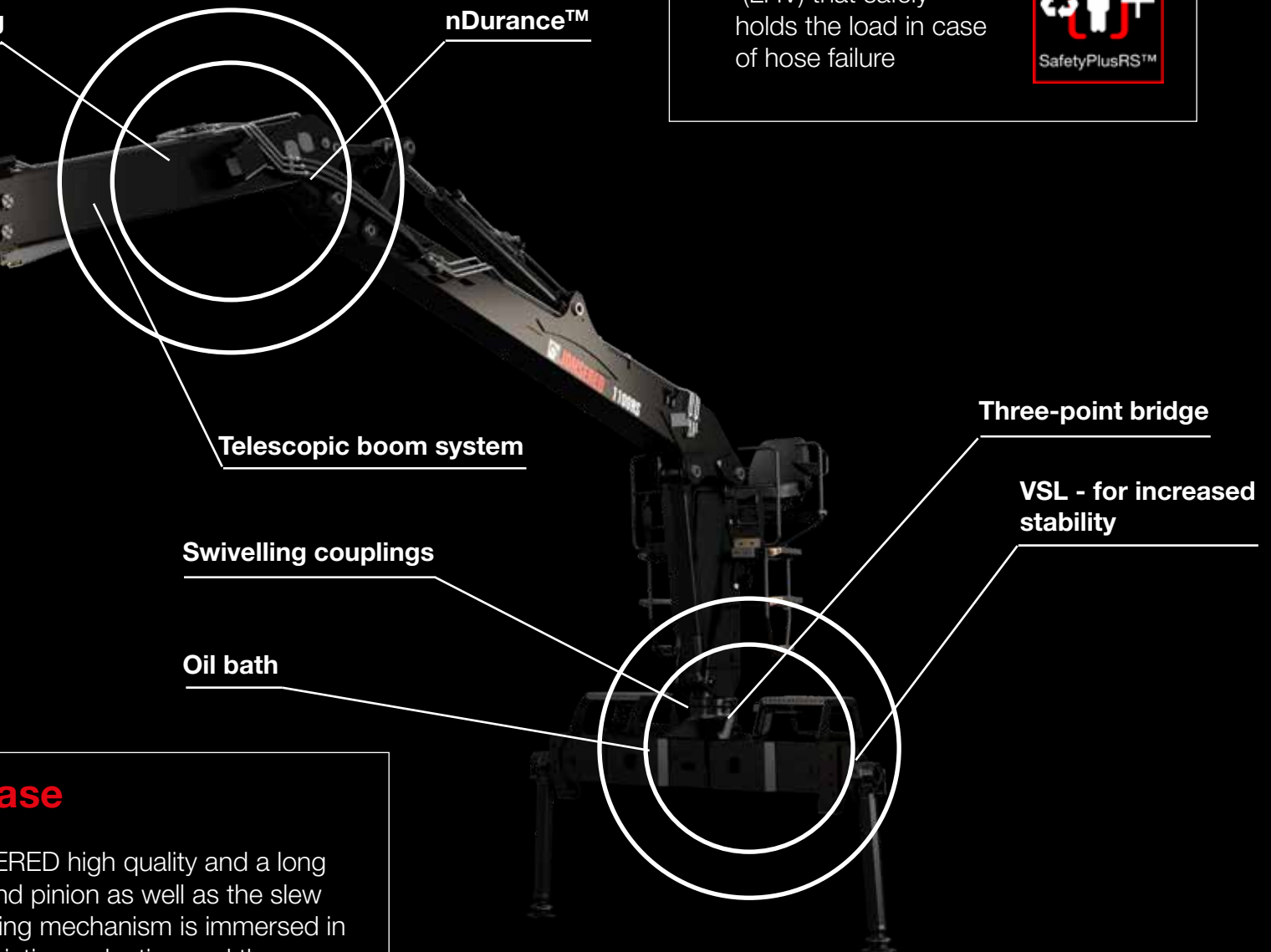
- High seat, centred or side mounted for an elevated view.
- With remote control you have freedom of movement around the crane and working area enabling you to find the best possible vantage point.

Safety+RS System

Safety is key in every work place. Working fast and efficient another. With Safety+RS system you fulfill all safety requirements to enhance safety of the driver and those in the vicinity.

JONSERED recycling range has the Safety+R system with important safety features needed to get the job done as efficiently and safely as possible.

- VSL increases stability without compromising efficiency
- Over Load Protection (OLP)
- Operators Protection System (OPS), a virtual drivers safety cage when operating from the stand up platform
- Load Holding Valve (LHV) that safely holds the load in case of hose failure



ase

ERED high quality and a long
nd pinion as well as the slew
ing mechanism is immersed in
friction reduction and the
oil results in less downtime and
osts.

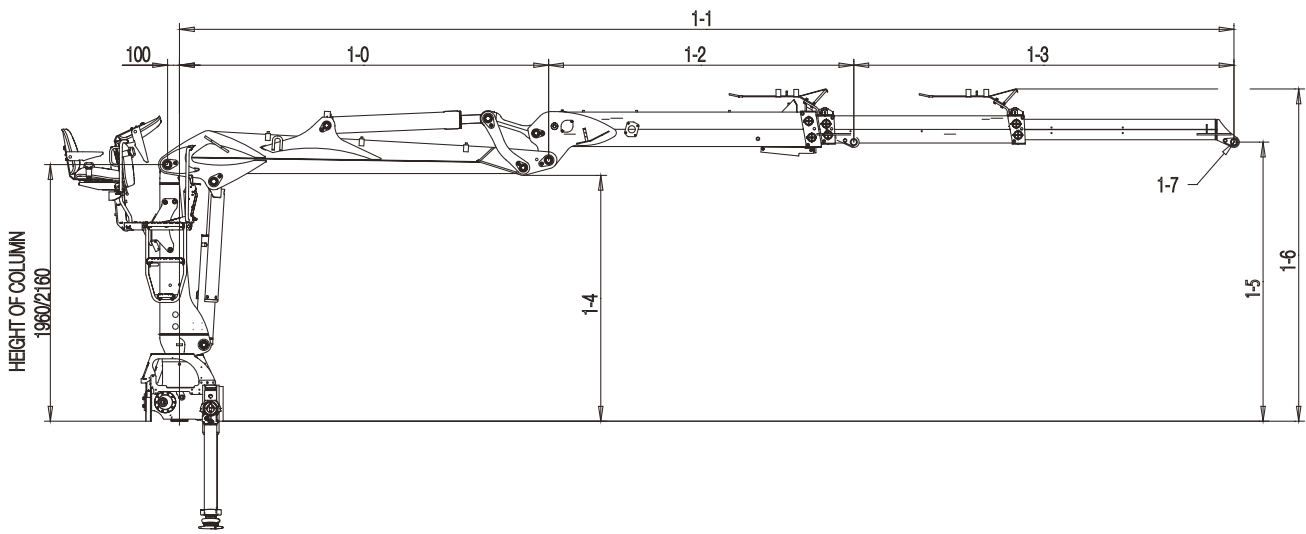
JONSERED 1100RS BASIC DATA

Technical data	J1100RS 71i	J1100RS 79i	J1100RS 84i	J1100RS 89i	J1100RS 97i	J1100RS 102i
Max. lifting capacity (kNm)	109	106	105	104	100	97
Max outreach (m)	7.11	7.91	8.41	8.86	9.66	10.16
Number of extensions	1	1	1	2	2	2
Outreach / lifting capacity (m/kg)	3.0 - 3300	3.0 - 3420	3.0 - 3100	4.0 - 2500	4.0 - 2440	4.0 - 2340
	4.0 - 2650	4.0 - 2590	4.0 - 2550	-	-	-
	5.0 - 2220	5.0 - 2120	5.0 - 2080	5.0 - 2120	-	-
	6.0 - 1840	6.0 - 1780	6.0 - 1760	6.0 - 1760	6.0 - 1680	6.0 - 1600
	7.1 - 1480	7.0 - 1520	7.0 - 1500	7.0 - 1500	-	-
		7.9 - 1280	-	8.0 - 1300	8.0 - 1230	8.0 - 1180
			8.4 - 1180	8.8 - 1140	-	-
					9.7 - 960	10.2 - 880
Slewing system	Single					
Slewing angle (°)	415					
Slewing torque, gross (kNm)	21.9					
Max. working pressure (MPa)	26					
Recommended oil flow – fixed pump (l/min max)	120					
Recommended oil flow – variable displacement pump (l/min max)	160					
Weight - High seat crane with standard stabilizer (kg)*	2010	2050	2075	2200	2240	2265
Weight - Single stand up platform crane with standard stabilizer (kg)*	2040	2080	2105	2230	2270	2295

*Weight with fixed pump system, oil weight included

This table shows a few examples of models, and represents some of all options available. With the opportunity to configure your crane, we can provide you with a crane perfectly tailored to your needs. Please contact your local dealer for more information on the variety of options we can offer.

Side view



Measurements		1-1		COLUMN 1960			COLUMN 2160					
Model	1-0	1-1 min	1-1 max	1-2	1-3	1-4	1-5	1-6	1-4	1-5	1-6	1-7
71i	3107	5527	7107	2420	1580	1870	2104	2414	2070	2304	2614	Ø40, B=184
79i	3906	6326	7906	2420	1580	1875	2112	2418	2075	2312	2618	Ø40, B=184
84i	4405	6825	8405	2420	1580	1877	2115	2419	2077	2315	2619	Ø40, B=184
89i	3107	5712	8862	2605	3150	1870	2149	2512	2070	2349	2712	Ø40, B=184
97i	3906	6511	9661	2605	3150	1875	2158	2520	2075	2358	2720	Ø40, B=184
102i	4405	7010	10160	2605	3150	1877	2161	2524	2077	2361	2724	Ø40, B=184

For more information,
please visit us at www.hiab.com



BUILT TO PERFORM

Hiab is the world's leading provider of on-road load handling equipment. Customer satisfaction is the first priority for us. Hiab's product range includes HIAB loader cranes, JONSERED recycling and forestry cranes, LOGLIFT forestry cranes, MOFFETT truck-mounted fork-lifts and MULTILIFT demountables, as well as DEL, WALTCO and ZEPRO tail lifts.

www.hiab.com

Hiab is part of Cargotec.

www.cargotec.com



PB-J1250RZ-EN-WW_180125



hiab.com

