



HIAB X-CLX 038

FOR YOUR CONSTRUCTION AND MATERIALS DELIVERY

YOUR EVERYDAY WORKING PARTNER

With the new HIAB X-CLX 038 crane your construction and building material supply business goes to the next level, and what you considered up to now as a normal working tool becomes your best partner in making your activity grow, save money and remove all the hassle in owning such equipment.



You want to concentrate on your activity, and that is why HIAB is the best solution for not having to think of anything else, if not your business.

Don't settle for anything less and take advantage:

- Running from the material warehouse and getting it delivered and unloaded as fast and efficiently as possible is the only thing that really matters.
- Buying a HIAB crane, means buying a sturdy reliable equipment that never lets you down, day after day.
- The compact size is ideal for even smaller truck vehicles, while being able to move around those bricks, piping and all other supply material you need it for.
- This category crane doesn't even need the permit to operate it, allowing all your staff to use it.

If you never thought of being able to possess a HIAB crane, then this is the best occasion to re-evaluate that decision.



HIAB X-CLX 038



Simplicity at your fingertips

Complying with regulations is the minimum effort, but we exceed with high quality materials and develop our products according to the best practices.

A durable investment

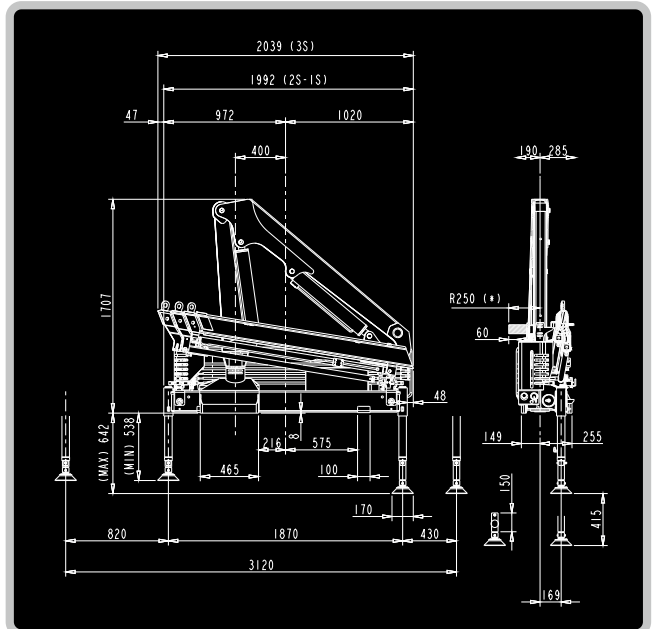
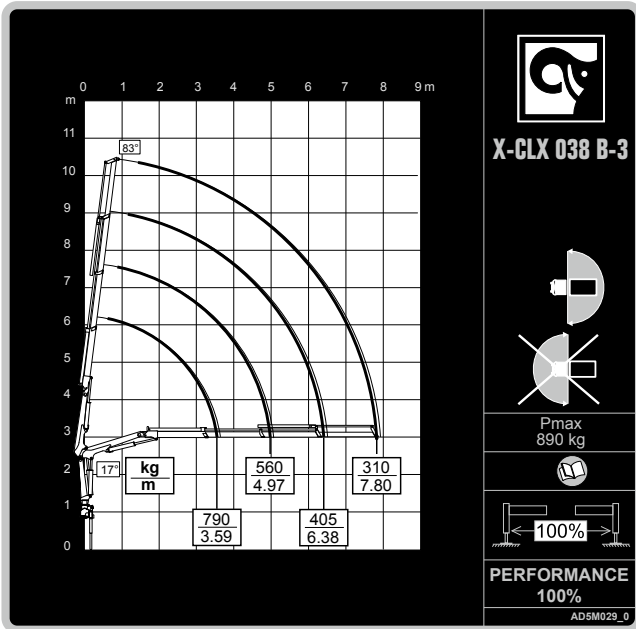
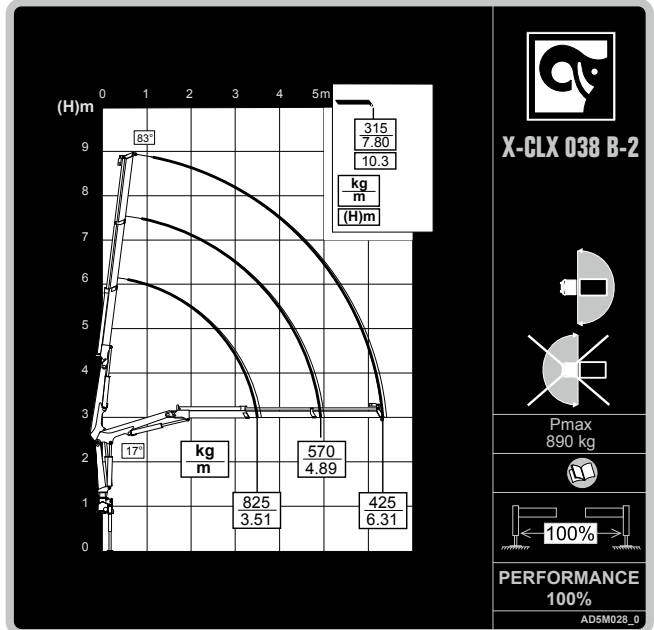
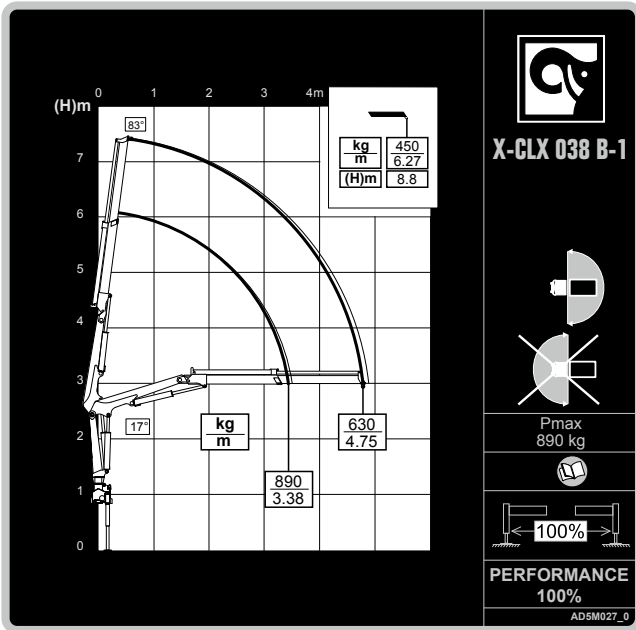
We know that your activity comes first, and for that the bottomline is important, but with a HIAB crane you spend today and then can save over time by reducing maintenance needs, or breakdowns which can harm even more your everyday activity.

Everyday performance

The 3 extension boom with up to 7,8m in horizontal reach compared to shorter competitor reaches allow to use the crane to fill the back of the truck easily.

And the vertical reach of 10,5m ensures a load of 310kg gets your job done.

Version	Unit	B-1	B-2	B-3
Lifting capacity	kNm	29,50	28,40	27,83
Lifting capacity	tm	3	3	3
Outreach - lifting capacity, standard	m-kg	3,38 - 890	3,51 - 825	3,59 - 790
		4,75 - 630	4,89 - 570	4,97 - 560
		4,75 - 630	6,31 - 425	6,38 - 405 7,80 - 310
Outreach - lifting capacity, manual extensions	m-kg	6,27 - 450	7,80 - 315	9,31 - 205
Rec. oil flow	l/min	12	12	12
Slewing angle	°	360	360	360
Weight				
Crane in standard version with standard support legs	kg	473	515	550



BUILT TO PERFORM

Hiab is a leading provider of smart and sustainable load handling solutions. We are committed to delivering the best customer experience every day with the most engaged people and partners. Hiab's premium equipment includes HIAB, EFFER and ARGOS loader cranes, MOFFETT and PRINCETON truck mounted forklifts, LOGLIFT forestry cranes, JONSERED recycling cranes, MULTILIFT skiploaders and hooklifts, GALFAB roll-off cable hoists, and tail lifts under the ZEPRO, DEL and WALTCO brands. As the industry pioneer, Hiab continues to make load handling smarter, safer and more sustainable to build a better tomorrow.

hiab.com

Hiab is part of Cargotec Corporation.

cargotec.com

