

TECHNICAL SPECIFICATIONS
HIAB X-DUO 178

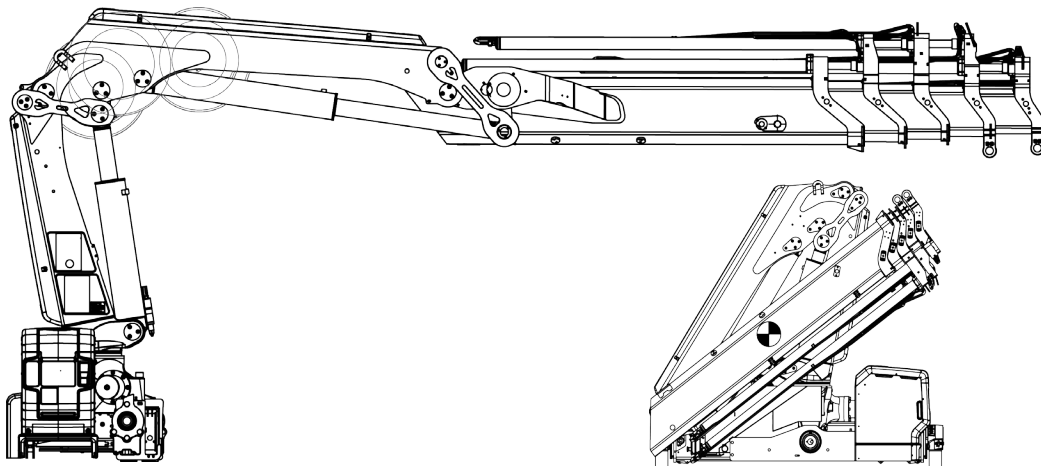


BUILT TO PERFORM

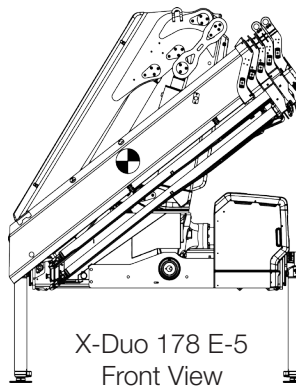


HIAB X-DUO 178 BASIC DATA

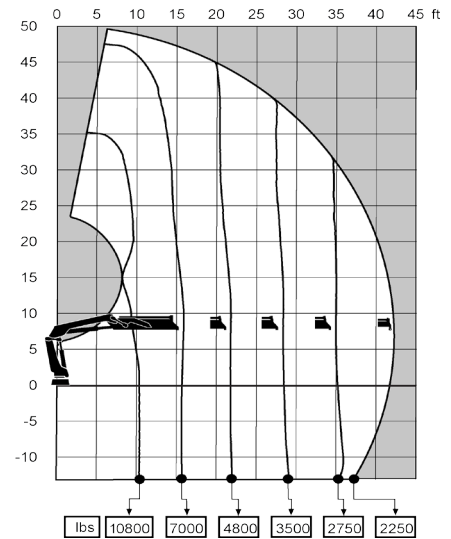
TECHNICAL DATA	B-1	B-2	B-3	E-4	E-5	E-6
Max. lifting capacity (ft-lbs)	120 470	115 550	112 080	110 120	107 370	105 130
Outreach, hydraulic extensions (ft)	21' 5"	28' 4"	35' 4"	42' 2"	49' 8"	57' 6"
Outreach, manual extensions (ft)	28' 4"	35' 4"	42' 6"	49' 8"	57' 6"	63' 9"
Outreach, with jib (ft)	-	-	-	-	-	-
Outreach / lifting capacity (ft-lbs)	10' 6" - 11 240 14' 9" - 8 160 20' 8" - 5 840 - - - -	10' 6" - 11 020 15' 1" - 7 610 21' 0" - 5 420 27' 7" - 4 100 - - -	11' 2" - 10 030 15' 1" - 7 390 21' 0" - 5 110 27' 7" - 3 790 34' 5" - 3 000 - -	10' 2" - 10 800 15' 9" - 6 940 21' 8" - 4 810 28' 3" - 3 480 34' 9" - 2 730 41' 8" - 2 250 -	10' 6" - 10 250 16' 1" - 6 610 22' 0" - 4 500 28' 7" - 3 220 35' 1" - 2 470 42' 0" - 1 960 49' 3" - 1 650 -	10' 10" - 11 020 16' 5" - 6 280 22' 4" - 4 190 28' 10" - 2 950 35' 5" - 2 200 42' 4" - 1 720 49' 6" - 1 390 57' 1" - 1 190
Outreach / lifting capacity, with jib (ft-lbs)	-	-	-	-	-	-
Slewing angle (°)	415	415	415	415	415	415
Height in folded position (in)	98	98	98	98	98	98
Width in folded position (in)	100	100	100	100	100	100
Installation space needed (in)	59	59	59	59	59	59
Weight, "standard" crane without stabilizers (lbs)	3 690	4 020	4 400	4 970	5 290	5 540
Weight, stabilizer equipment (lbs)	600 - 940	600 - 940	600 - 940	600 - 940	600 - 940	600 - 940
Weight, jib (lbs)	-	-	-	-	-	-



X-Duo 178 E-5
Side View



X-Duo 178 E-5
Front View



Disclaimer. Hiab cranes have been built to meet the highest standards of safety and service life and have been thoroughly tested. Strength calculations for this model have been carried out in accordance with EN13001 in fatigue class S2. Cargotec's certified Quality Assurance System complies with ISO 9001. Some of the items in our literature may be extra equipment. Certain applications may require an official permit. We reserve the right to change technical specifications without prior notice. Hiab cranes produced for EU-countries are CE marked and comply with the European Standard EN12999.

Hiab is the world's leading provider of on-road load handling equipment. Our high performance product range includes loader cranes, forestry and recycling cranes, demountables, truck mounted forklifts and tail lifts. We aim to set the industry benchmark for customer satisfaction by providing products and services that meet customer needs globally.

www.hiab.us.com
Hiab is part of Cargotec.
www.cargotec.com

Hiab USA Inc
12233 Williams Road
Perrysburg, OH 43551 USA
tel. +419 482 6000
fax. +419 482 6001

hiab.us.com



V2016.11.02