

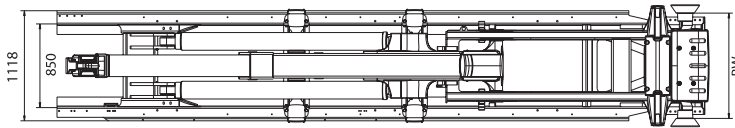
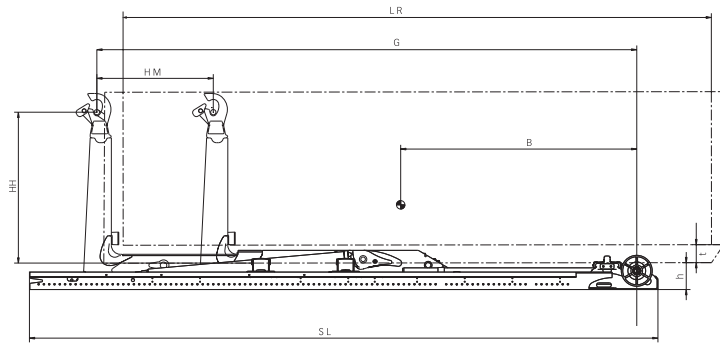
# Hiab Multilift XP Classic range hooklifts



Technical information

# XP20S

Type	XP20S.51	XP20S.53	XP20S.56
Vehicle type	3-axle	3-axle	3-axle
Gww of the vehicle (t)	26	26	26
Capacity (t)	20	20	20
G-length	51	53	56
System weight (kg) *	1870	1960	2000
Tipping angle (°)	49	52	49
Max. operating pressure (mpa)	33	33	33
Recommended max. oil flow (l/min)	80	80	80



\* Weight includes hydraulic body locking and excludes oil tank and oil.

\*\* The subframe length (SL) can be reduced to achieve a final installation length. The minimum installation length depends upon country and control valve position. For an exact installation length dimension please contact your local Hiab Multilift dealer.

Hiab Multilift equipments meet the demands set forth in the EU Machine Directive and they are CE marked.

We reserve the rights for modifications.

Illustrations do not always show an equipment in standard version.

Model	XP20S.51	XP20S.53	XP20S.56
LR = Body length (m) min - max	4.3 – 6.1	4.5 – 6.4	4.7 – 6.6
SL = Subframe length (mm) **	5758	6508	6508
B = Centre of gravity (mm)	2700	2850	2950
G = Exact g-length (mm)	5080	5360	5560
HM = Horizontal movement (mm)	1100	1100	1100
t = Min. free tunnel height (body) (mm)	125	125	125
h = Installation height (mm)	230	230	230
BW = Body width (mm)	1070	1070	1070
HH = Hook height (Mm)	1425/1450/1570	1425/1450/1570	1425/1450/1570

**Cargotec** improves the efficiency of cargo flows on land and at sea - wherever cargo is on the move. Cargotec's brands MacGregor, Kalmar and Hiab are recognised leaders in cargo and load handling solutions around the world. Cargotec's global network is positioned close to customers and offers extensive services that ensure the continuous, reliable and sustainable performance of equipment. [www.cargotec.com](http://www.cargotec.com)



**Cargotec Finland Oy**  
 Nesteentie 36, P.O.Box 39  
 FI-21201 Raisio, Finland  
 tel. +358 204 55 2399  
 fax +358 204 55 2231  
[www.hiab.com](http://www.hiab.com)