



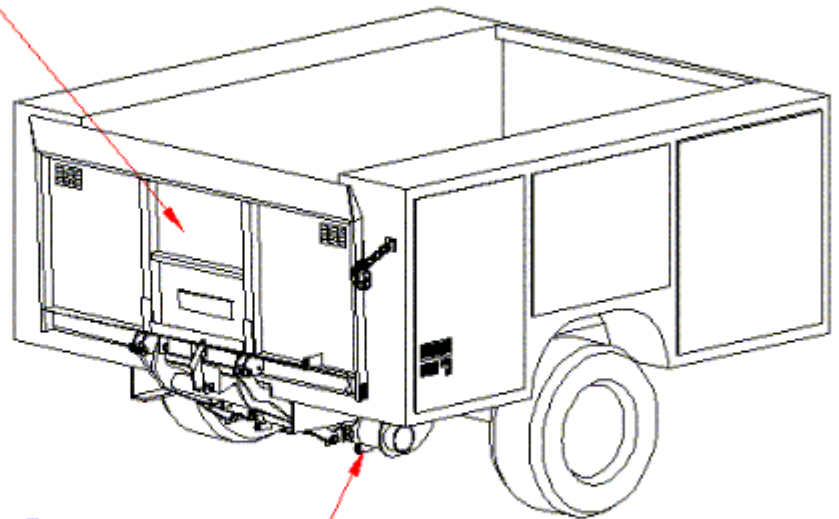
P Series

Click the appropriate link below for the major component of the liftgate for which you are trying to find the correct part. If you are unsure of the name of the part in Waltco terminology, click the "Liftgate Terminology" link and it will take you to a document showing a picture of the liftgate with the common Waltco names for each of the parts.

P Series

[Liftgate Terminology](#)

[Platform Assembly](#)



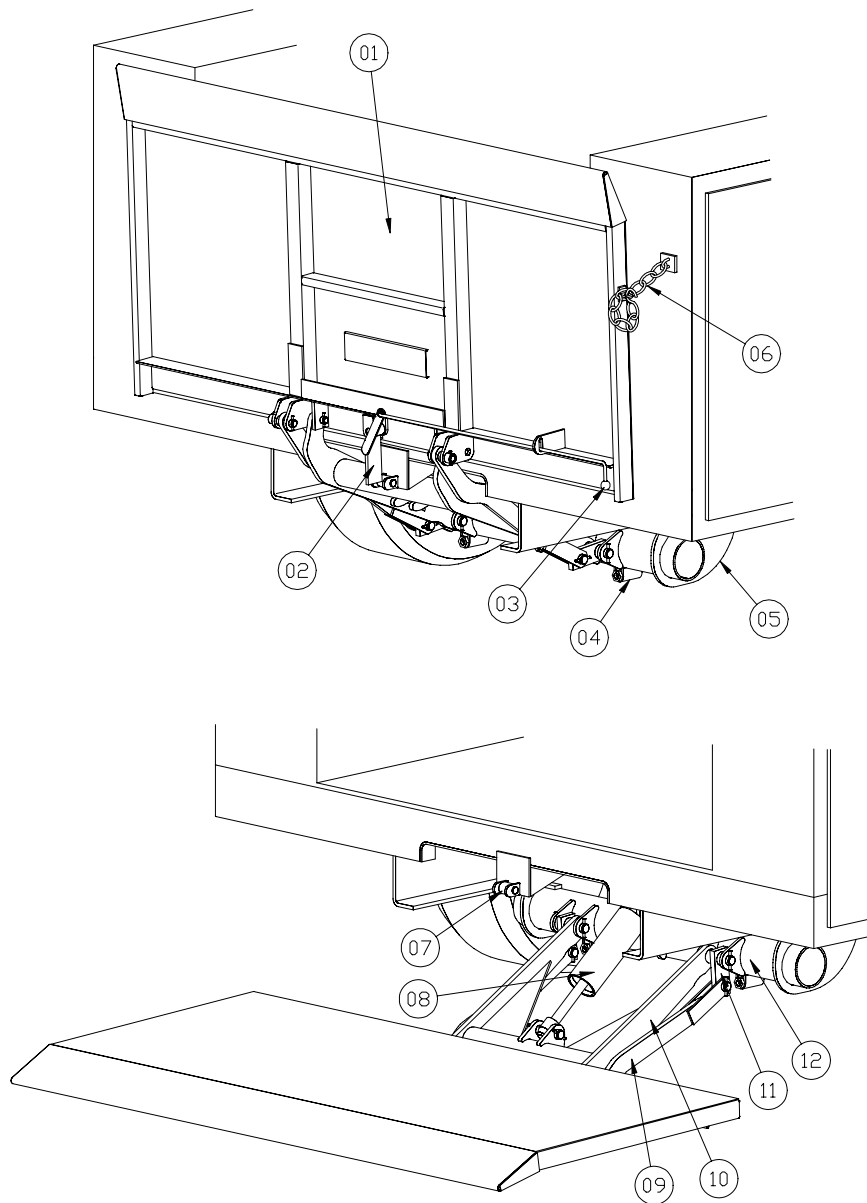
[Pumps & Hydraulic Components](#)
[Cylinders](#)
[Tech Tips](#)

[Mount Assembly and Arms](#)

Liftgate Terminology

TERMINOLOGY

- | | |
|---|---|
| <ol style="list-style-type: none">1. Platform2. Cam Assembly3. Control Arm4. Adjustment Bolt5. Mount Plate6. Latch Chain | <ol style="list-style-type: none">7. Cam Roller8. Hydraulic Cylinder9. Parallel Arm10. Lift Arm Assembly11. Stop Block12. Mount Tube |
|---|---|



GR01005

Liftgate Terminology

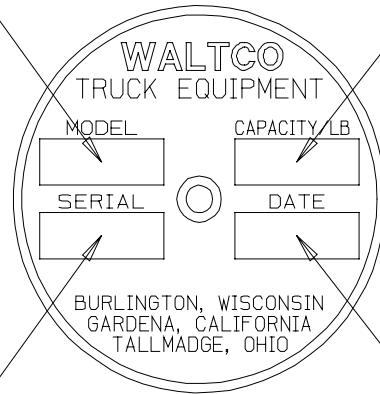
EXPLANATION OF SPECIFICATION TAG

MODEL NO.	MODEL NAME	DESCRIPTION	CAPACITY
140	P-80	P-80 Series	1000 LB

MODEL NUMBER

RATED CAPACITY

Based on an evenly distributed load on the platform flat surface.



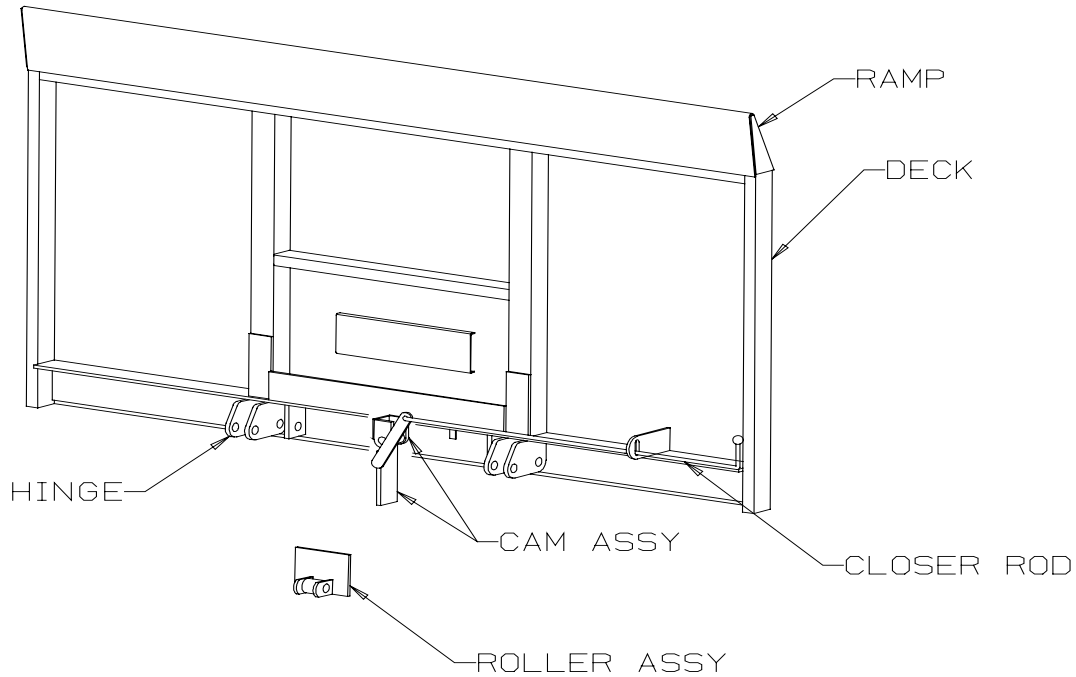
SERIAL NUMBER

of liftgate. To be used when ordering parts or when contacting Waltco for service or warranty questions.

DATE OF MANUFACTURE

Month/Year

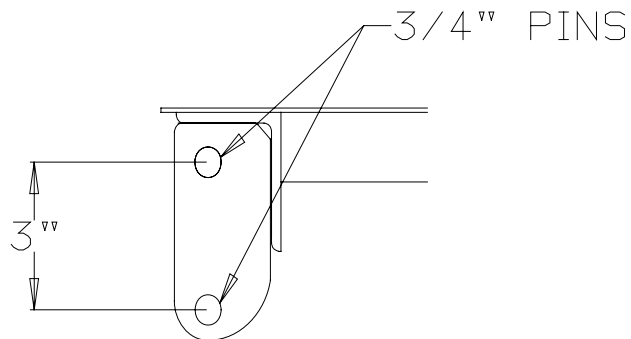
P-SERIES PLATFORM ASSEMBLY



Common Features

- Capacity decal - 1,000 pounds
- Sizes: 30" deep with 6" ramp
50", 54", 61", 65", 72" wide
- Power closure optional (cam, rod, and roller assembly)
standard on 65" and 72" wide
- 3" hinge
- 3/4" deck pin with roll pins

Hinge



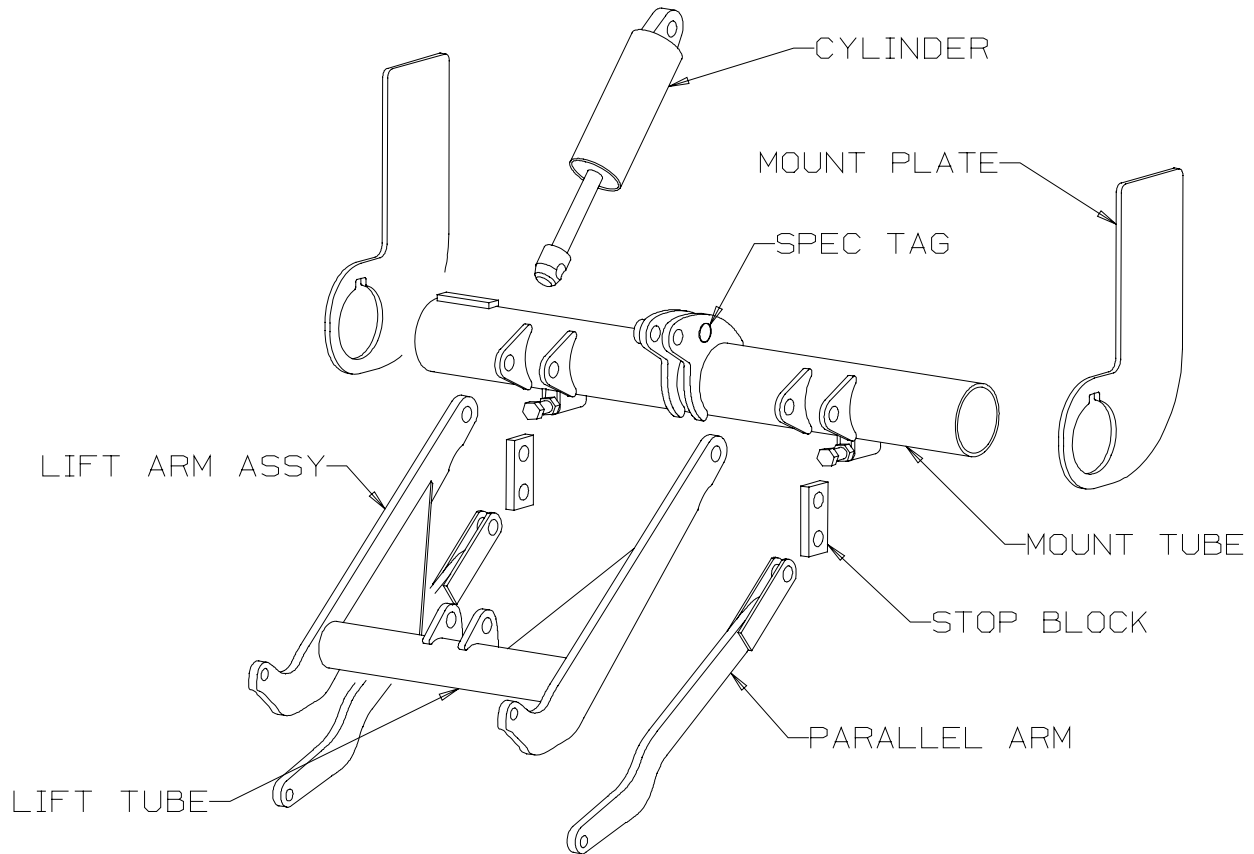
Contact Waltco Parts Dept. for parts for P Series liftgates built prior to 4-76

PM-37 (Built from 4-76)

80101067 Rev. 02 8/04

[Click here for list of liftgate serial numbers, organized by approximate ship dates.](#)

P-SERIES MOUNT ASSEMBLY



Common Features

- Narrow arm design
- Round mount tube (4" O.D.x 41-3/4" O.A.L.)
- Dog-leg mount plate
- Lift tube (2-7/8" O.D. x 18-5/8" O.A.L.)
- Lift and parallel arms (5/8" thick)
- Lift and parallel arms (25" hole centers)

Contact Waltco Parts Dept. for parts for P Series liftgates built prior to 4-76


PM-37 (Built from 4-76)

80101068 Rev. 02 8/04

[Click here for list of liftgate serial numbers, organized by approximate ship dates.](#)

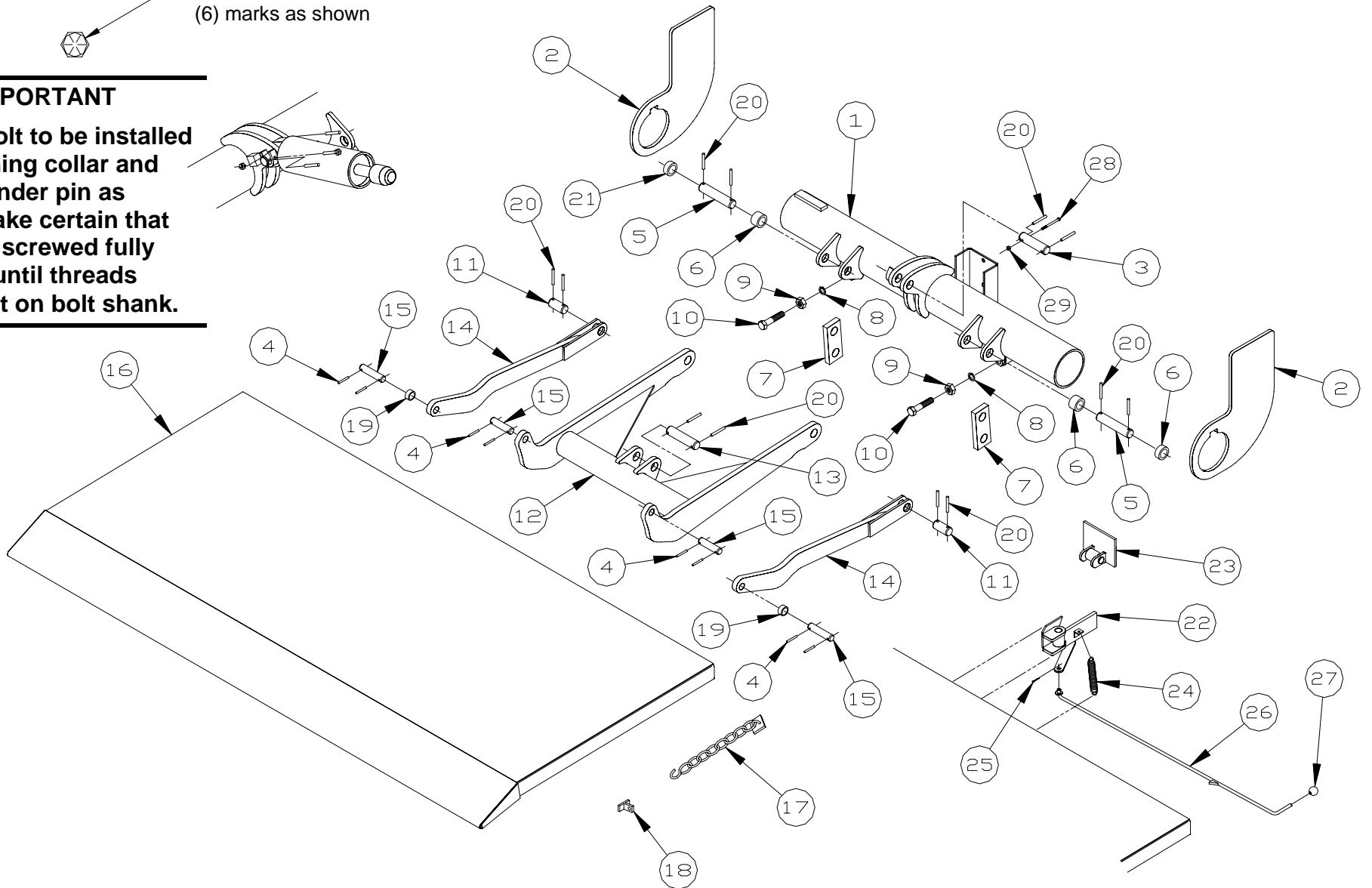
P-80 MOUNT FRAME & PLATFORM ASSEMBLY
(Built from 4-76)

Grade 8 Bolts have six (6) marks as shown



IMPORTANT

Grade 8 bolt to be installed thru retaining collar and upper cylinder pin as shown. Make certain that locknut is screwed fully onto bolt until threads bottom out on bolt shank.



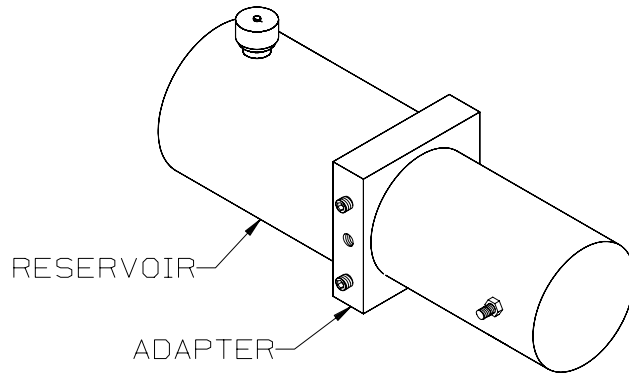
WALTCO
TRUCK EQUIPMENT CO.
P-80

REVISED: 7-14-00
E.O. 4239
REV. 03

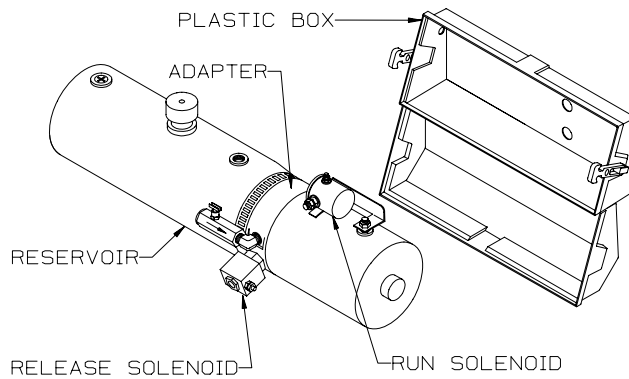
PM-37

ITEM	PART NUMBER	QTY	DESCRIPTION
1	14020000	1	Mount Frame Assembly
2	14070100	2	Mount Plate
3	11170502	1	Upper Cylinder Pin
4	75089548	8	3/16" x 1-1/4" Coiled Pin
5	20270700	2	Main Pin
6	10171701	2	Spacer
7	14051100	2	Stop Block
8	75088087	2	3/4" Lock Washer
9	75085015	2	3/4"-10 Hex Jam Nut
10	75086180	2	3/4"-10 Hex Head Screw
11	30150301	2	Parallel Arm Pin
12	14030000	1	Lift Arm Assembly
13	11171500	1	Lower Cylinder Pin
14	14055000	2	Parallel Arm Assembly
15	14011100	4	Deck Pin
16	14011000	1	Platform Assembly
17	10193000	1	Latch Chain Assembly
18	10111700	1	Chain Clip
19	14071700	2	Spacer
20	75089541	12	1/4" x 1-7/8" Coiled Pin
21	11270900	2	Spacer
22	14016000	1	Cam Assembly
23	14092000	1	Roller Assembly
24	75089752	1	Extension Spring
25	75084053	1	Cotter Pin
26	14015000	1	Control Rod
27	75089104	1	Black Plastic Ball
28	75086215	1	1/4"-20 x 2-1/2" Bolt (Grade 8)
29	75085175	1	1/4"-20 Self Locking Nut

P SERIES HYDRAULICS



Manual Control (Built from 4-76 thru 2-94)



Electric Control (Built from 2/94)

Common Features

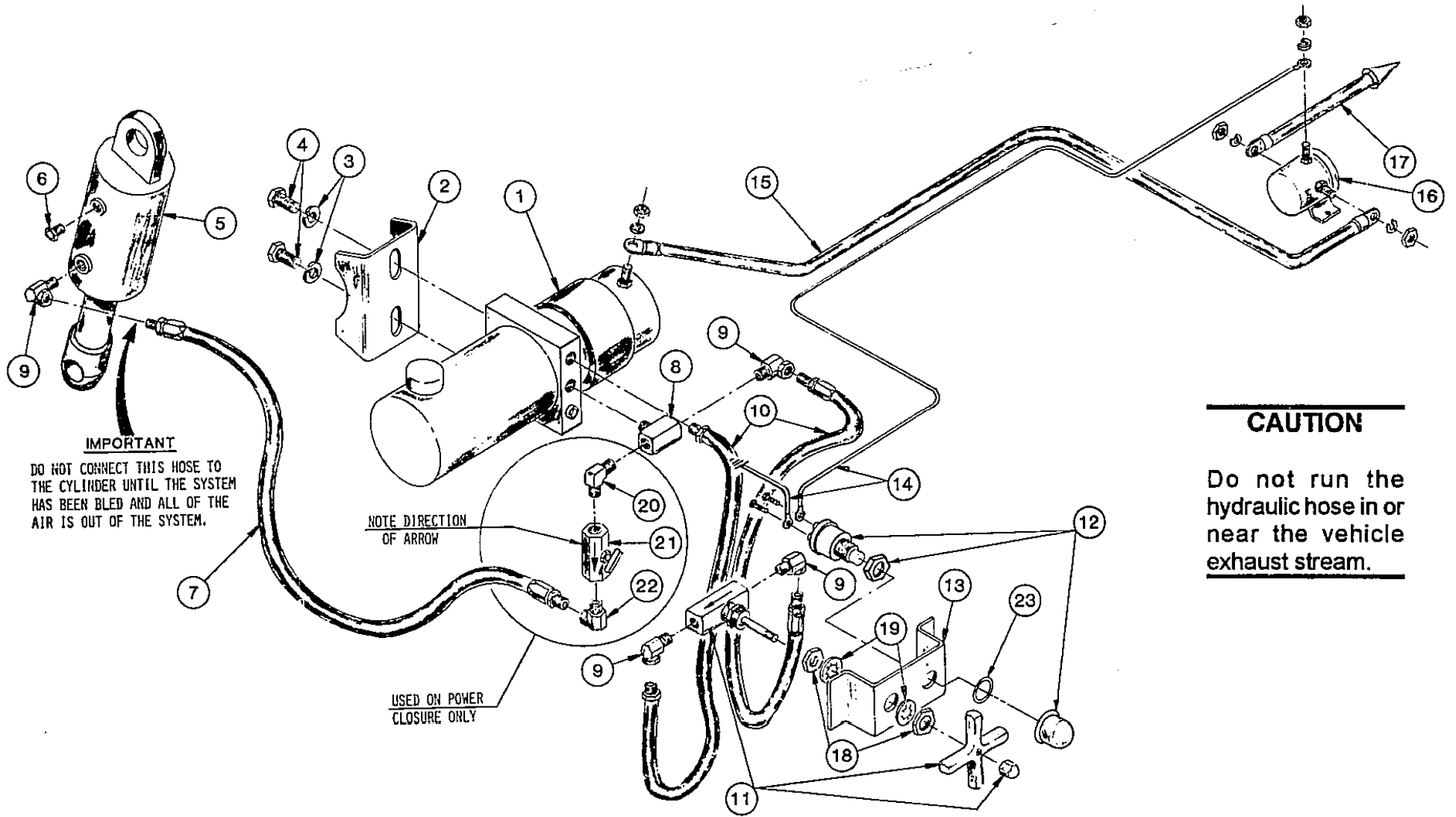
- Fenner or Monarch power unit
- Manual or electric control
- Round reservoir
- Pressure set at 2400 psi

	Built from 4-76 thru 2-94	Built from 2-94
Control	Start switch with actuator and in-line valve	Release solenoid Run solenoid
Hydraulic Layout	PM-36	80100186
Electrical Layout and Schematic	N/A	PM-343 (Built from 2-94 thru 4-04) PM-343A (Built from 4-04)
Pump Unit	PM-109B	PM-403
Cylinder	PM-221	PM-221

Rev. 01 8/04

[Click here for list of liftgate serial numbers, organized by approximate ship dates.](#)

ELECTRO HYDRAULIC LAYOUT
(Built thru 2-94)



CAUTION

Do not run the hydraulic hose in or near the vehicle exhaust stream.

WALTCO
TRUCK EQUIPMENT CO.
P Series

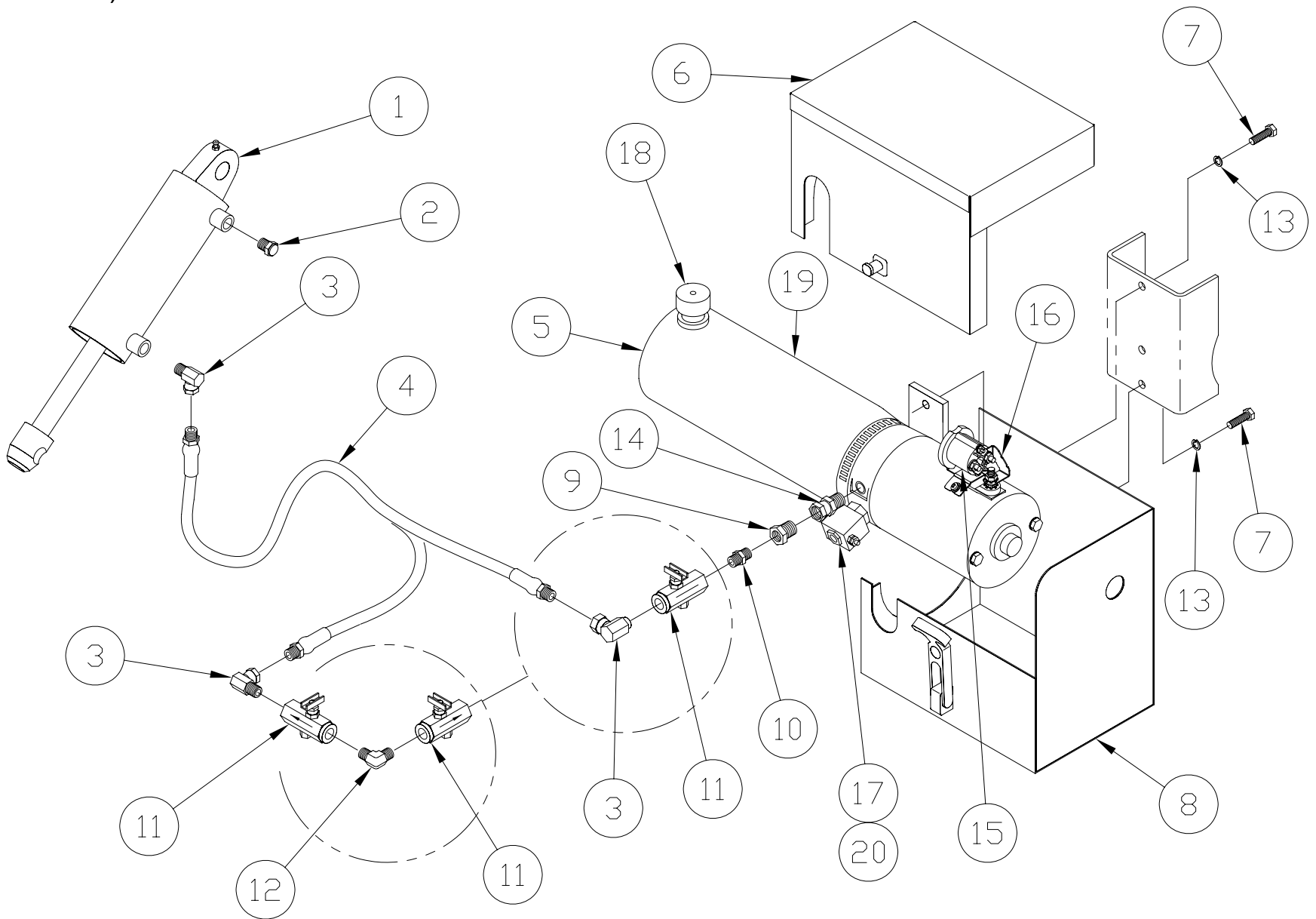
REVISED: 8-1-04
E.O. 5221E
REV. 03

PM-36

ITEM	PART NUMBER	QTY	DESCRIPTION
1	14095001 ^A	1	Hydraulic Pump Unit @ 2400 PSI
2	20220900	1	Pump Mounting Bracket
3	75088081	1	3/8" Lock Washer
4	75086055	1	3/8"-16 x 3/4" Hex Head Screw
5	14080050	1	Hydraulic Cylinder
6	75089310	1	Breather
7	75083056	1	1/4" x 34" Hose Assembly
8	75082858	1	1/4" Tee, Male on Side
9	75083031	4	1/4" x 90° Elbow
10	75083061	2	1/4" x 72" Hose Assembly
11	70189852	1	Needle Valve
12	75089805	1	Push Button Switch
13	14099900	1	Valve Mounting Bracket
14	75089026	1	16 Ga. x 20 Ft. Control Wire
15	10195616	1	2 Ga. x 16 Ft. Battery Cable
16	75089821	1	Solenoid Switch
17	10195524	1	2 Ga. x 24" Battery Cable
18	75085040	1	3/4"-20 Panel Nut
19	75088097	1	3/4" Lock Washer
Used on Power Closer Only			
20	75082611	1	1/4" x 90° Elbow
21	70189860	1	Flow Control Valve
22	75083031	1	1/4" x 90° Elbow
23	75000034	1	"O" Ring

A. When ordering a complete replacement pump, please use part number [70400275](#)

ELECTRO-HYDRAULIC LAYOUT
(Built from 2-94)



WALTCO
TRUCK EQUIPMENT CO.
P-80

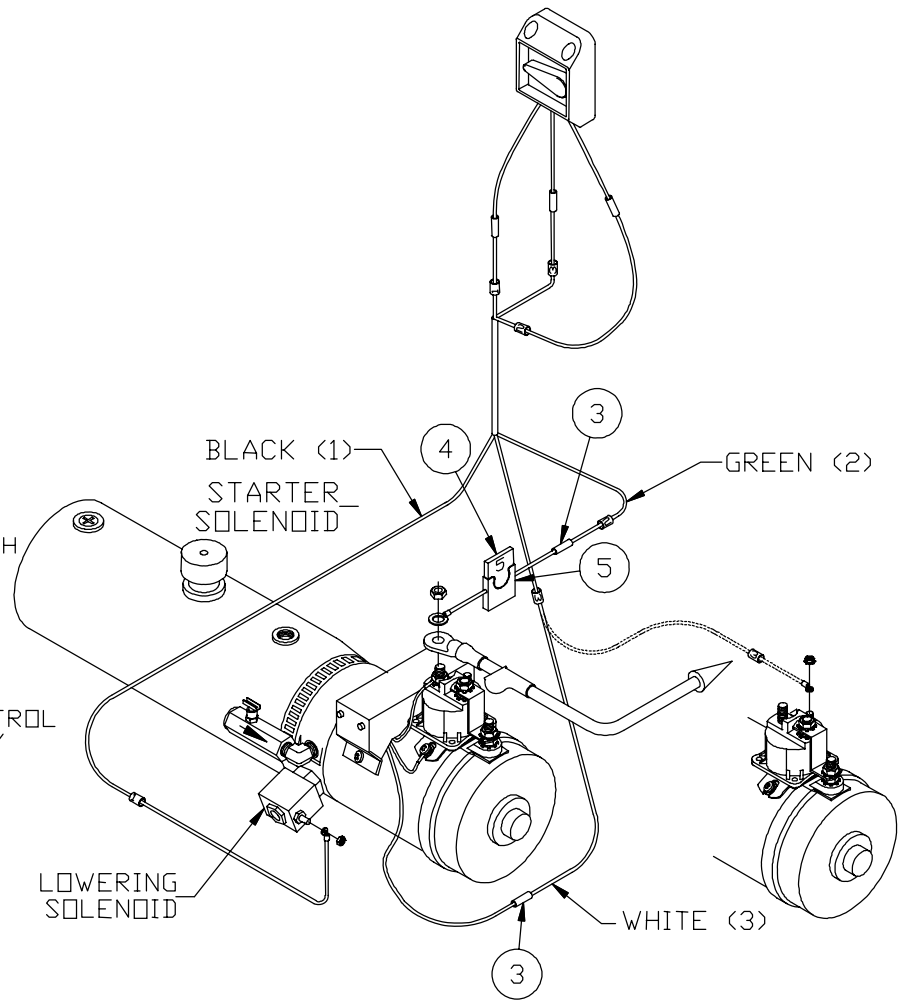
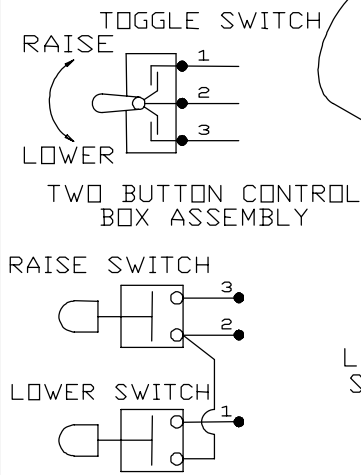
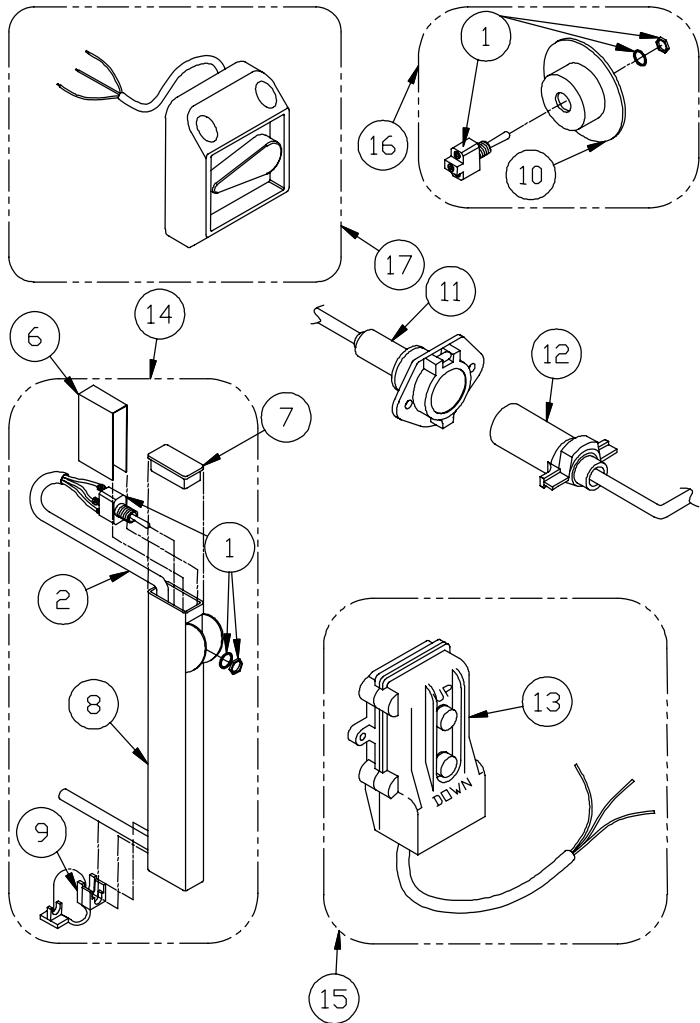
REVISED: 8-1-09
E.O. 6251
REV. 05

80100186

ITEM	PART NUMBER	QTY	DESCRIPTION
1	14080050	1	Hydraulic Cylinder Assembly
2	75089310	1	Cylinder Breather
3	75083031	2	1/4" NPT 90° Swivel Elbow
4	75083056	1	Hydraulic Hose Assembly
5	70400425	1	Pump Unit
6	20691500	1	Pump Box Cover
7	75086055	2	3/8"-16 x 3/4" Hex Head Screw
8	20691000	1	Pump Box Bottom
9	75082908	1	Adapter
10	75082614	1	Pipe Nipple
11	70189860	1	Flow Control Valve (2 On Power Closer)
12	75082611	1	1/4" NPT 90° Male Elbow (Power Closer Only)
13	75088081	2	3/8" Lock Washer
14	75082914	1	3/8" Swivel Fitting
15	75089833 ^A	1	Starter Solenoid
16	75089834 ^A	1	Bus Bar
17	70092503 ^A	1	Valve Assembly, 2-way, 2 pos w/ Coil
18	70400004 ^A	1	Breather
19	70400001 ^A	1	Reservoir
20	70402303 ^A	1	Coil, 10V, 25A

^A Included in Pump Assembly [70400425](#)

ELECTRIC CONTROL OPTIONS, GRAVITY DOWN
(Built 2-94 thru 4-04)



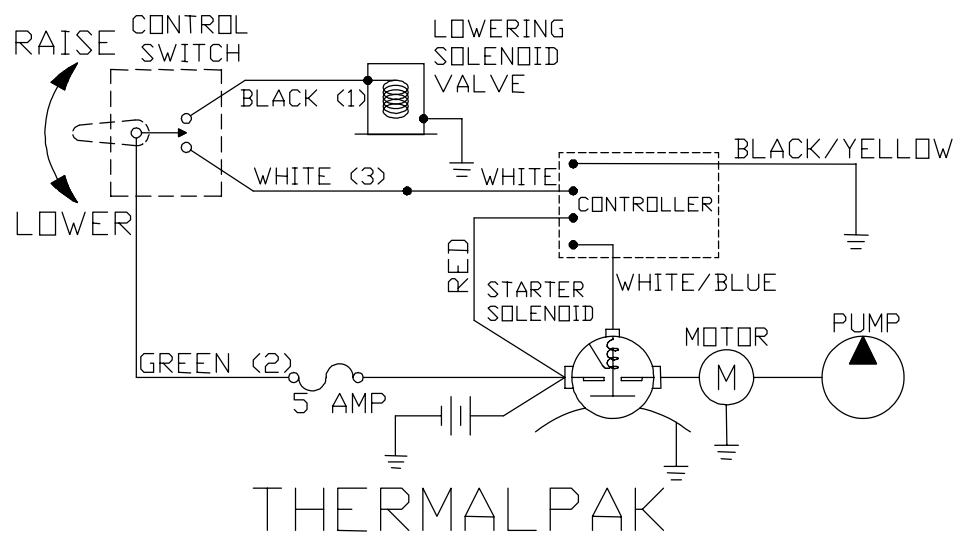
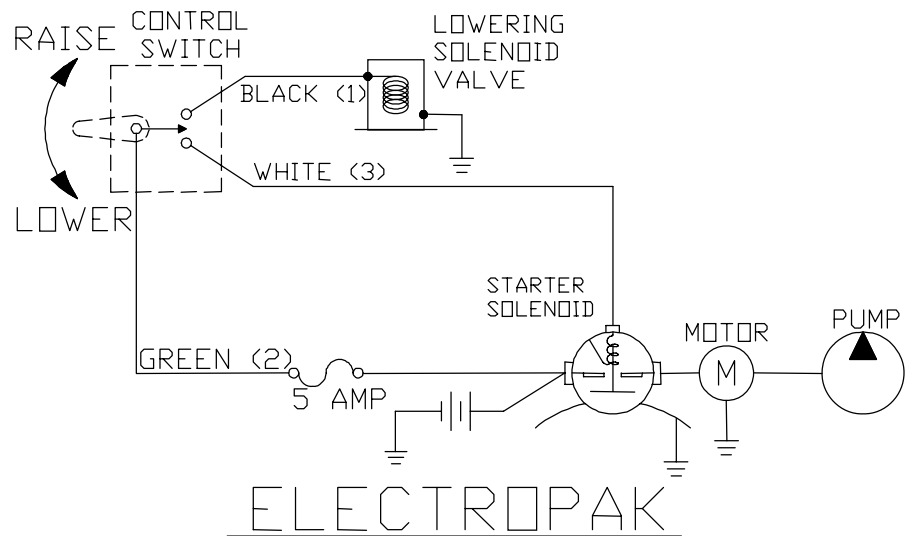
WALTCO
TRUCK EQUIPMENT CO.

REVISED: 5-1-04
E.O. 5221B
REV. 14

PM-343

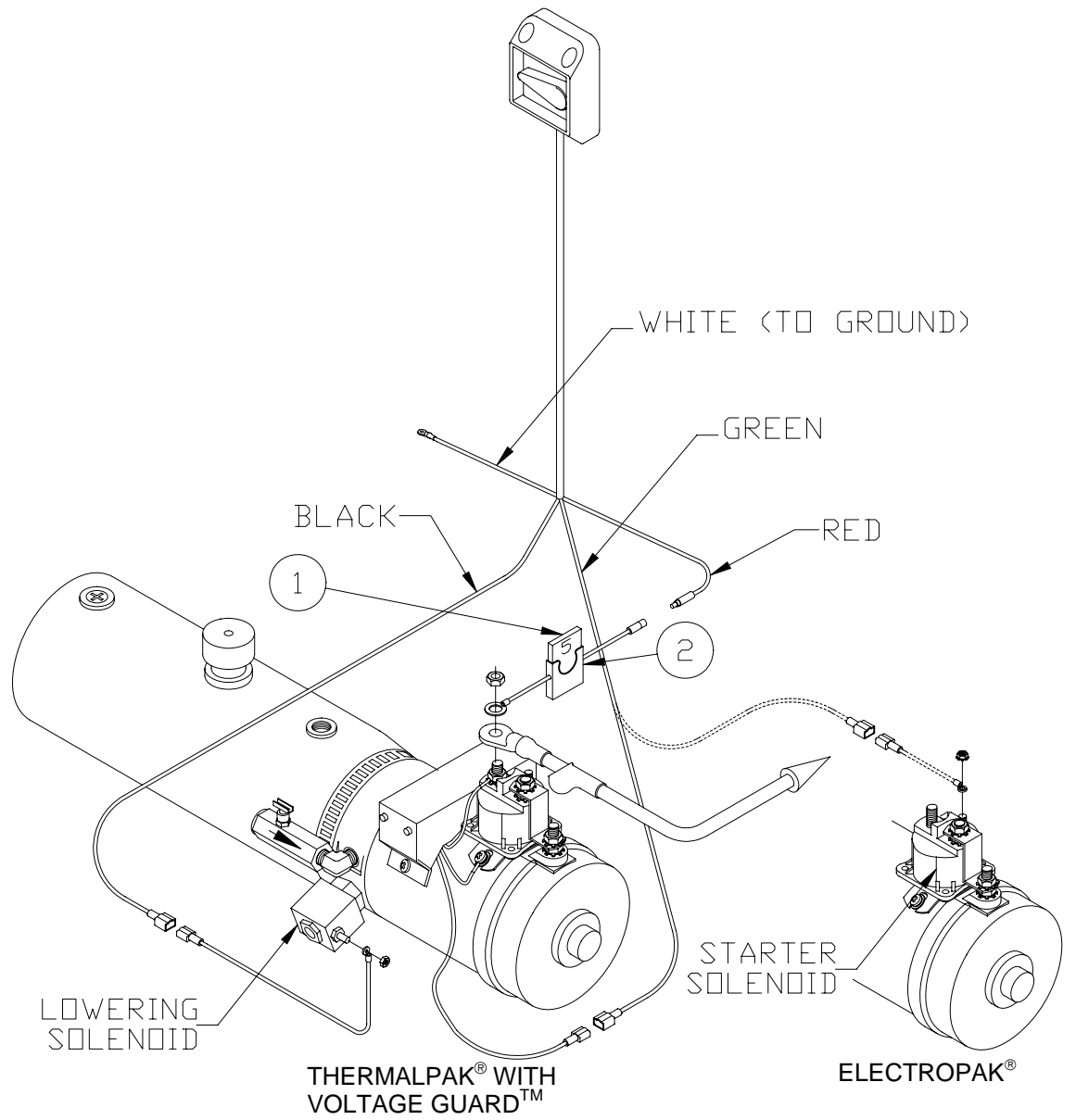
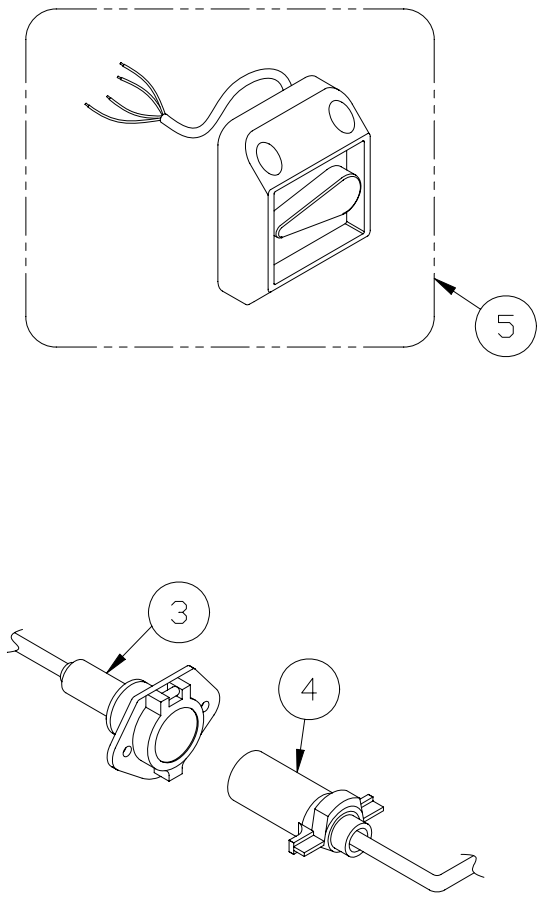
ITEM	PART NUMBER	QTY	DESCRIPTION
1	75089808	1	Toggle Switch
2	10098400	1	Control Cord Assembly
3	75082033	2	16 Ga. Butt Connector
4	75089853	1	5 AMP Fuse
5	75089850	1	Fuse Holder
6	33574100	1	Dielectric Insulation
7	33520900	1	Plug
8	10098100	1	Control Tube Assembly
9	75080055	1	Strain Relief
10	75089813	1	Recessed Switch Plate
11	75082038	1	Trailer Socket
12	75082037	1	Trailer Plug
13	75089798	1	Push Button Box Assembly
*14	10098000		Toggle Switch & Tube Kit
*15	75089800	1	Remote Box Straight Cord
	75089799	1	Remote Box Coil Cord
	80000470	1	Remote Box Straight Cord w/ plug & socket
	80000469	1	Remote Box Coil Cord w/ plug & socket
*16	80000468	1	Toggle Switch Kit
*17	80000425	1	SuperSwitch Kit
	10099302	1	Remote SuperSwitch
	80000423	1	SuperSwitch Control Kit
	80000424	1	SuperSwitch Dual Control Kit
	80000799	1	Remote SuperSwitch Kit

**Boxed assemblies represent complete kits



WIRE No.	COLOR	FUNCTION
1	BLACK	LOWER (DOWN)
2	GREEN	HOT (POWER)
3	WHITE	RAISE (UP)

ELECTRIC CONTROL OPTIONS, GRAVITY DOWN
(Built from 4-04)



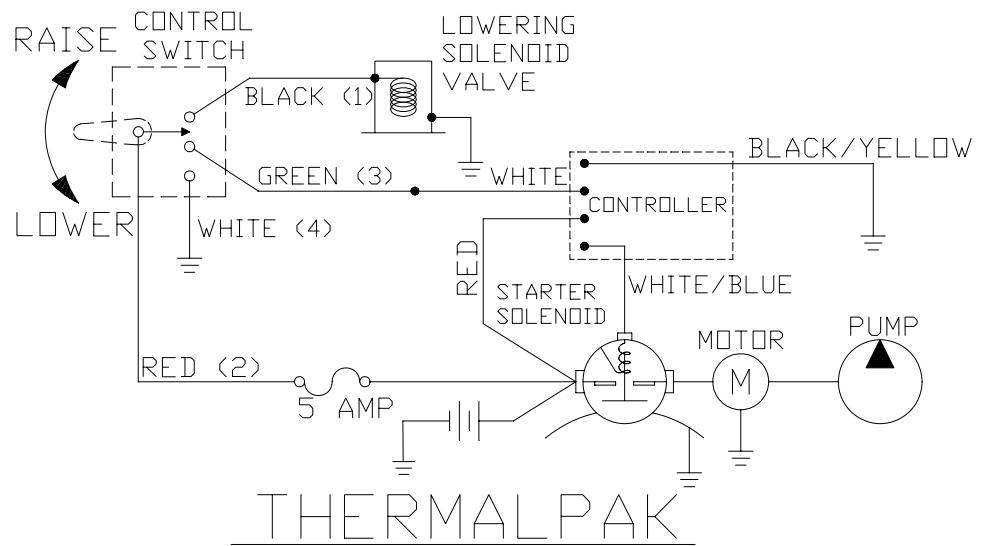
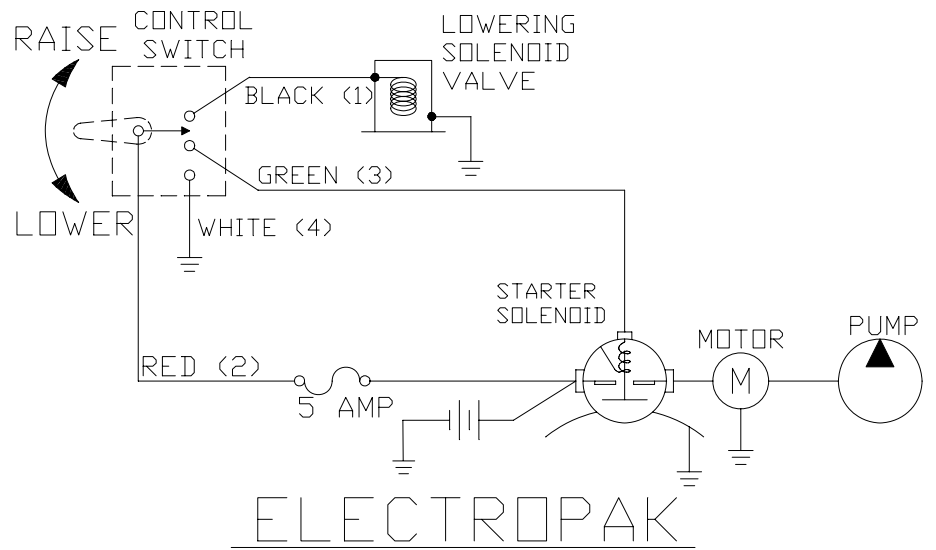
WALTCO
TRUCK EQUIPMENT CO.

REVISED: 6-4-04
E.O. 4347
REV. 04

PM-343A

ITEM	PART NUMBER	QTY	DESCRIPTION
1	75089853	1	5 AMP Fuse
2	75089850	1	Fuse Holder
3	75082038	1	Trailer Socket
4	75082037	1	Trailer Plug
*5	10099320	1	SuperSwitch
	10099325	1	Remote SuperSwitch
	80000428	1	SuperSwitch Control Kit
	80000434	1	SuperSwitch Dual Control Kit
	80000425	1	SuperSwitch Conversion Kit
	80000430	1	Remote SuperSwitch Kit

*Boxed assemblies represent complete kits



WIRE No.	COLOR	FUNCTION
1	BLACK	LOWER (DOWN)
2	RED	HOT (POWER)
3	GREEN	RAISE (UP)
4	WHITE	GROUND

P-80 SERIES PUMPS, CYLINDER, & VALVE Parts Drawings

If unsure of the correct pump or cylinder part number, [click here](#).

QUICK TIP:

Most pumps have a pump pressure decal on them that also includes the pump part number. This number will always be an 8-digit part number. If still unsure, please contact Waltco for assistance.

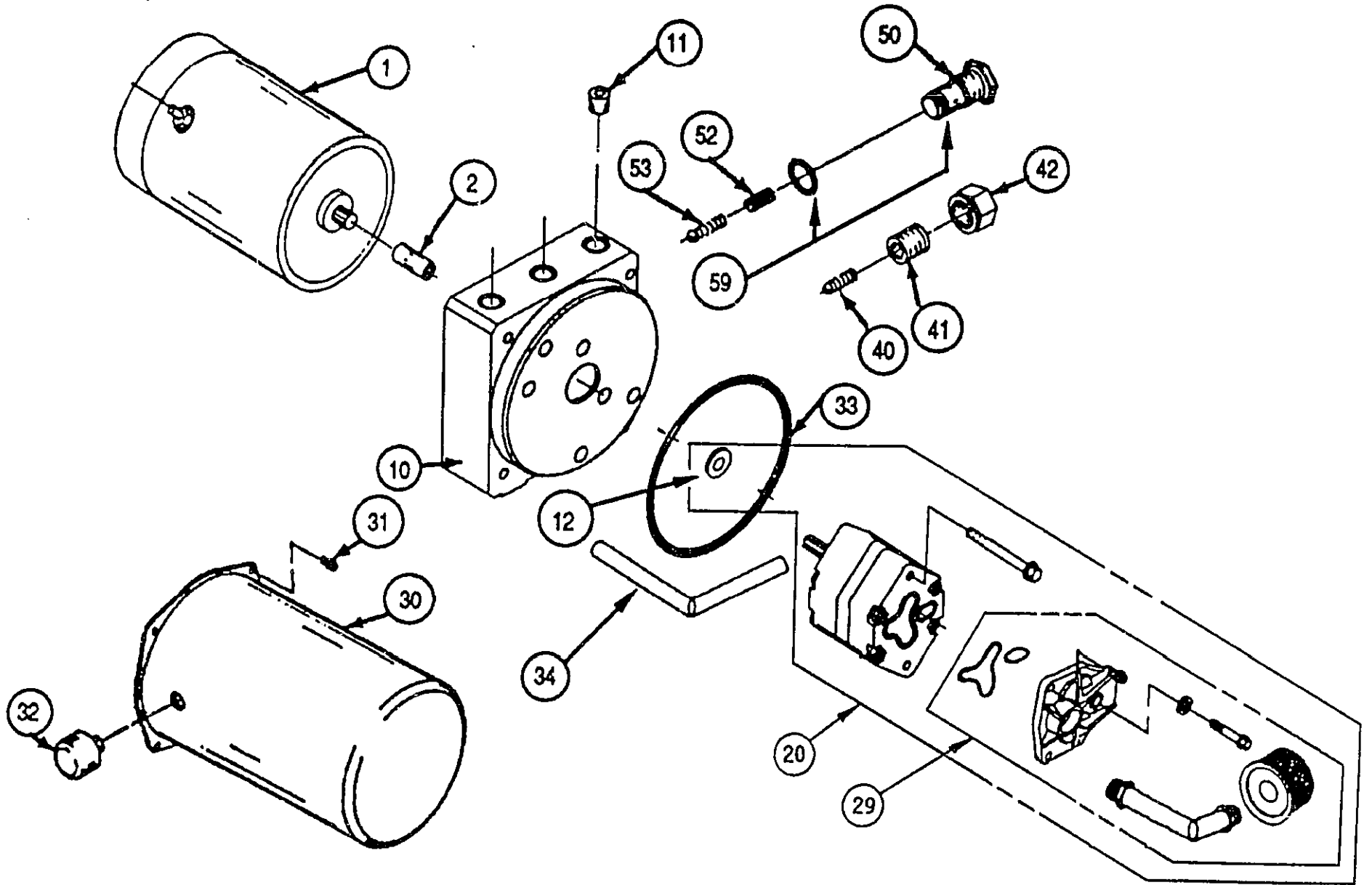
CYLINDERS

Part Number	Description	PM No.
14080050	Lift Cylinder	PM-221

HYDRAULIC PUMPS

Part Number	Description	Pump Mfr.	PM No.
14095000	Hydraulic Pump Assembly	Fenner	PM-109B
70400275	Hydraulic Pump Assembly	Monarch	PM-399
70400425	Hydraulic Pump Assembly	Monarch	PM-403

EXTERNALLY OPERATED PUMP UNIT
(Built thru 2-94)



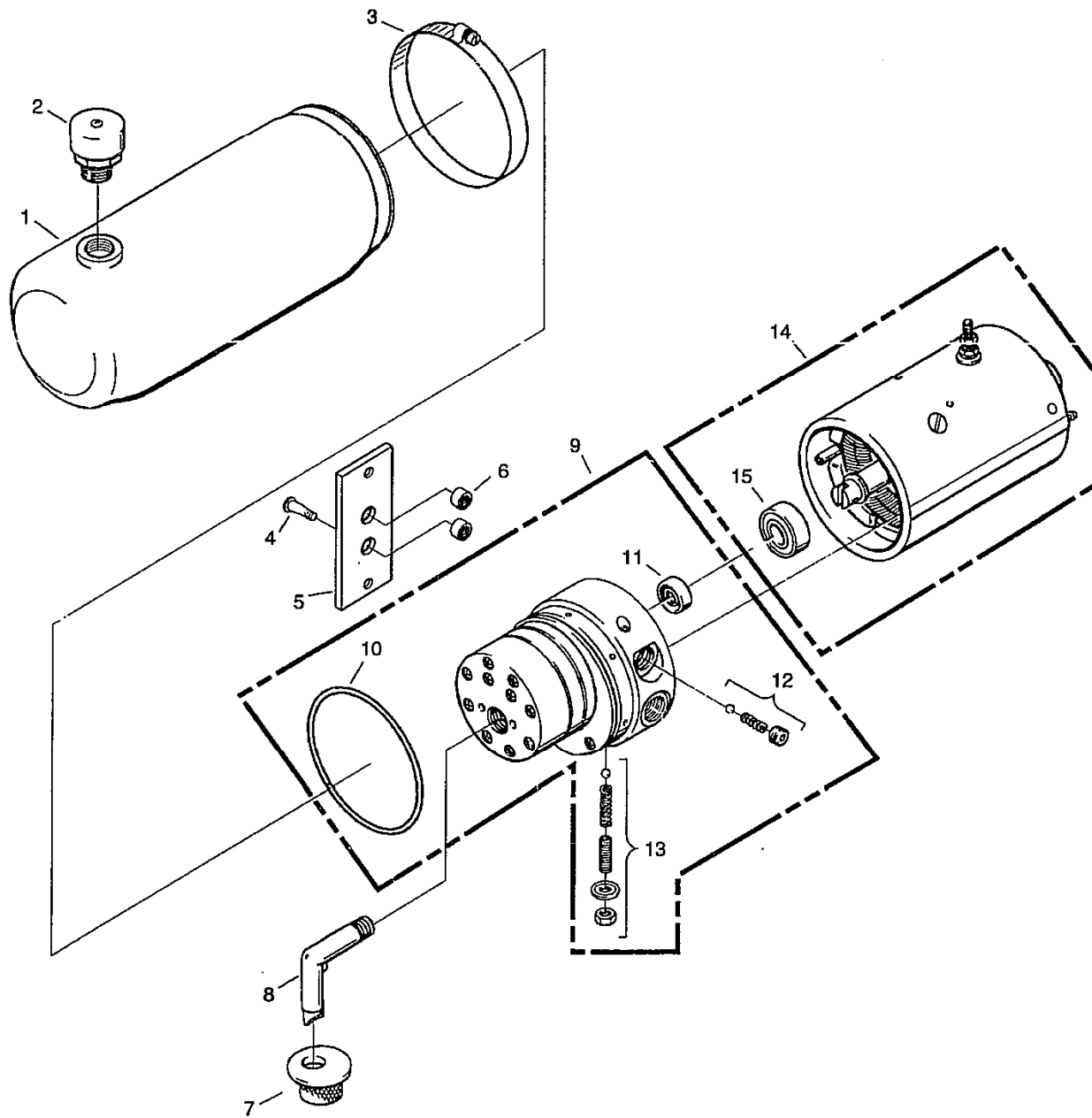
WALTCO
TRUCK EQUIPMENT CO.
14095000

REVISED: 8-1-09
E.O. 6251
REV. 03

PM-109B

ITEM	PART NUMBER	QTY	DESCRIPTION
1	U25163	1	Motor
2	70091618	1	Coupling
10	70091574	1	End Head
11	70091591	1	Plug
12	70091629	1	Shaft Seal
20	70091613	1	Pump Assembly Kit
29	70091758	1	Suction Cover Kit
30	70091562	1	Reservoir
31	70091265	4	Screw
32	70091270	1	Breather Cap
33	75000017	1	"O" Ring
34	70091493	1	Return Tube
40	70091249	1	Ball
	70091250	1	Spring
41	70091295	1	Adjustment Screw
42	70091294	1	Relief Cap Assembly
50	70091595	1	Check Cap Assembly
52	70091596	1	Spring Retainer
53	70091581	1	Spring & Ball Assembly
59		1	Valve Seal Kit
	75000038	1	"O" Ring
	75000039	1	"O" Ring

70400250, 70400275 MONARCH PUMP
 (Service pump for 14095000)



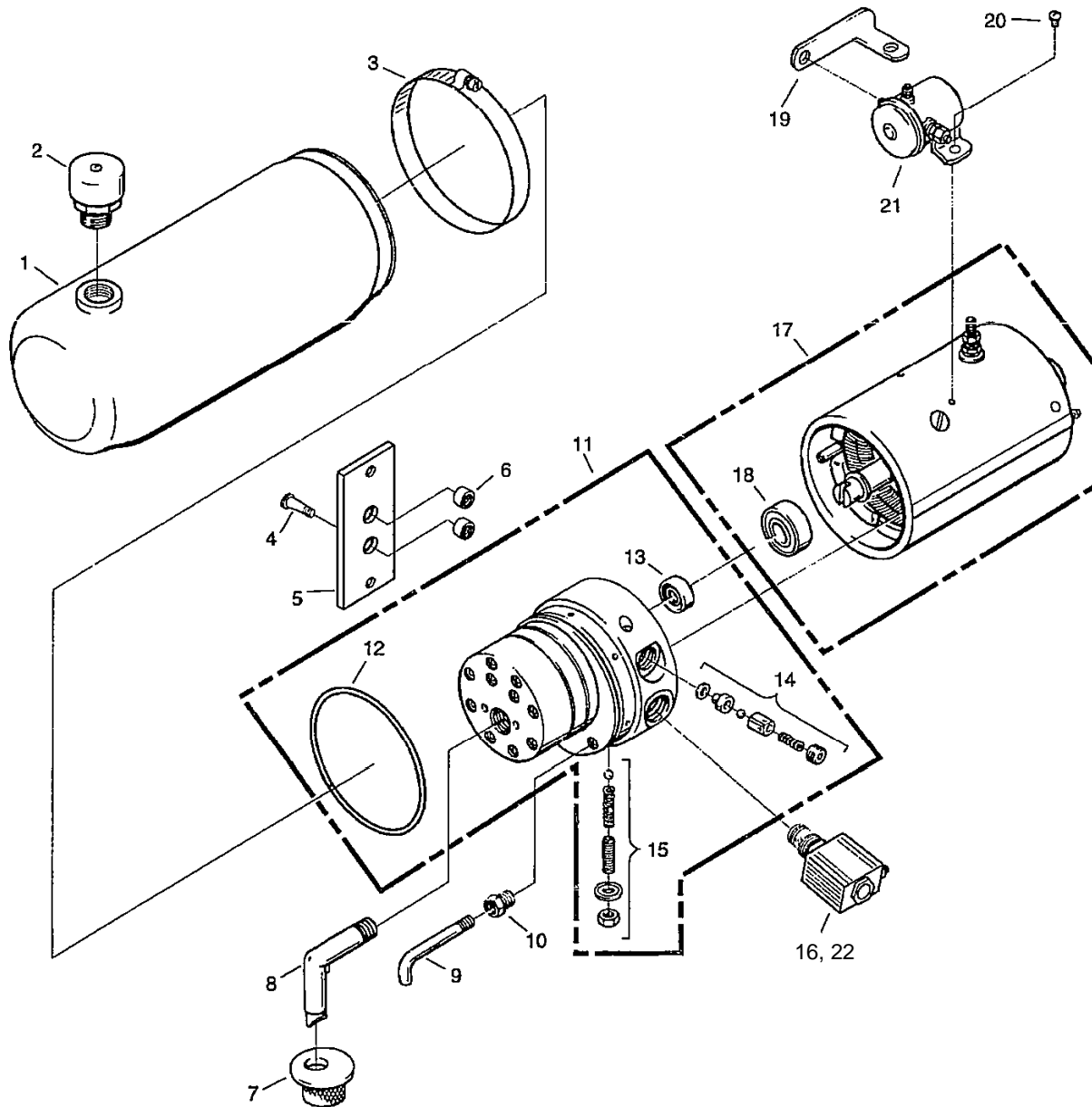
WALTCO
TRUCK EQUIPMENT CO.
70400250

REVISED: 8-1-09
 E.O. 6251
 REV. 03

PM-399

ITEM	PART NUMBER	QTY	DESCRIPTION
1	70400001	1	Reservoir
2	70400004	1	Plug, Vent, 3/8" NPT
3	70400002	1	Clamp, Hose
4	70400482	2	Flat Head Screw, 3/8"-16 x 1-1/4"
5	70400481	1	Bracket, Mount
6	70091728	2	Spacer
7	70091730	1	Screen, Filter (Suction)
8	70091731	1	Tube, Filter Suction, 3/8" NPT 90°
9	70400251	1	Pump Assembly
10	70091717	1	"O" Ring
11	70400006	1	Seal
12	70091718	1	Parts Kit, Check Valve
13	70092355	1	Parts Kit, Relief Valve
14	7043001-1	1	Motor, 12V
15	70091721	1	Bearing, Base Motor

70400425 HYDRAULIC PUMP UNIT
(Built from 2-94)



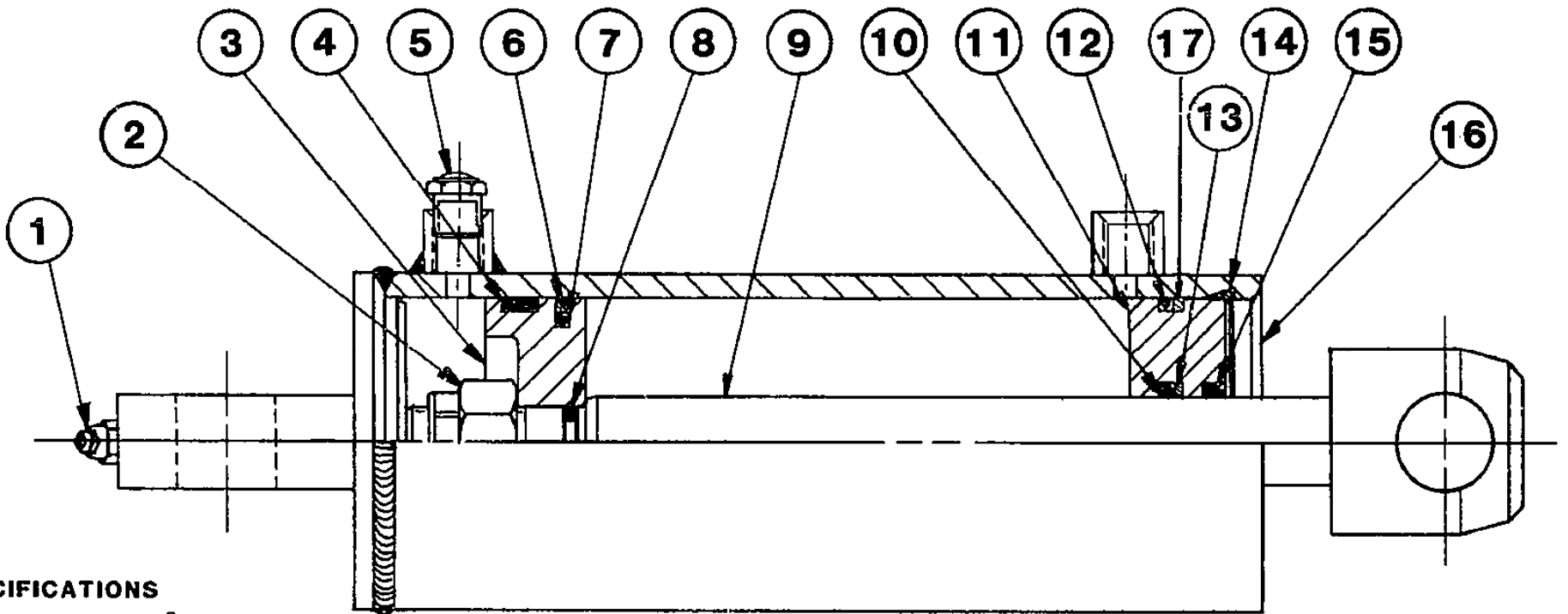
WALTCO
TRUCK EQUIPMENT CO.
70400425

REVISED: 8-1-09
E.O. 6251
REV. 03

PM-403

ITEM	PART NUMBER	QTY	DESCRIPTION
1	70400001	1	Reservoir, 4.5" x 13"
2	70400004	1	Plug, Vent, 3/8" NPT
3	70400002	1	Clamp, Hose, Worm Gear (In Series)
4	70400482	2	Screw, Flat Head Cap, 3/8-16 x 1-1/4"
5	70400481	1	Bracket, Plate Mount
6	70091728	2	Spacer
7	70091730	1	Screen, Filter (Suction)
8	70091731	1	Tube, Filter Suction, 3/8" NPT 90°
9	70400477	1	Tube, Return (1/8")
10	70092504	1	Bushing, Reducer, High Pressure (1/4" NPT to 1/8" NPT)
11	70400426	1	Pump Assembly, Gear code 03
12	70091717	1	O-Ring, Industrial (3-5/8" x 3-7/8" x 1/8")
13	70400006	1	Seal
14	70400007	1	Parts Kit, Valve Assembly, Poppet/Ball Check
15	70092355	1	Parts Kit, Relief Valve
16	70092503	1	Valve Assembly, 2-Way, 2-Pos w/ Coil
17	7043001-1	1	Motor, Electric 12 VDC
18	70091721	1	Bearing, Base Motor
19	75089834	1	Strap, Motor Solenoid Connecting
20	70091712	2	Screw, Round Head Machine 10-32 x 1/4"
21	75089833	1	Switch, Solenoid 12 VDC
22	70402303	1	Coil, 10V, 25A

14080050
(All Years)



P-80800-50

SPECIFICATIONS

RETRACTED	12.87
EXTENDED	18.81
BARREL O.D.	3.38

WALTCO
TRUCK EQUIPMENT CO.
14080050

REVISED: 8-1-04
E.O. 5221E
REV. 02

PM-221

ITEM	PART NUMBER	QTY	DESCRIPTION
1	75089305	1	Grease Fitting, 65°
2	75085194	1	Flexloc Nut
3	14081550	1	Piston
4	-----*	1	Wear Ring
5	75089315	1	Breather
6	-----*	1	Seal Ring
7	-----*	1	"O" Ring
8	-----*	1	"O" Ring
9	14081050	1	Shaft Assembly
10	-----*	1	"O" Ring
11	14080250	1	Nose Bearing
12	-----*	1	"O" Ring
13	-----*	1	Back-up Ring
14	10182950	1	Retaining Ring
15	-----*	1	Rod Wiper
16	14082050	1	Barrel Assembly
17	-----*	1	Back-up Ring
18	14080095	1	Repair Kit

* Indicates parts included in parts kit.

Note: refer to cylinder serial number located on the cylinder barrel when ordering parts.

Example: 14001-XXXXXX

Gardena

Ser No	Date
116000	01/83
117000	05/83
118000	09/83
119000	12/83
130000	03/84
131000	05/84
132000	07/84
133000	10/84
134000	12/84
135000	03/85
136000	04/85
137000	07/85
138000	10/85
139000	11/85
150000	03/86
151000	05/86
152000	09/86
153000	12/86
154000	03/87
155000	05/87
156000	07/87
157000	10/87
158000	11/87
159000	12/87
170000	02/88
171000	04/88
172000	06/88

Ser No	Date
173000	08/88
174000	10/88
175000	11/88
176000	01/89
177000	03/89
178000	04/89
179000	07/89
190000	09/89
191000	11/89
192000	01/90
193000	03/90
194000	05/90
195000	07/90
196000	10/90
197000	12/90
198000	03/91
199000	06/91
210000	09/91
211000	12/91
212000	04/92
213000	06/92
214000	09/92
215000	12/92
216000	02/93
217000	05/93
218000	08/93
219000	12/93

Ser No	Date
230000	02/94
231000	05/94
232000	08/94
233000	10/94
234000	12/94
235000	02/95
236000	05/95
237000	08/95
238000	11/95
239000	01/96
250000	03/96
251000	06/96
252000	09/96
253000	12/96
254000	03/97
255000	05/97
256000	08/97
257000	10/97
258000	01/98
259000	03/98
270000	05/98
271000	07/98
272000	10/98
273000	12/98
274000	02/99
275000	04/99
276000	06/99

Ser No	Date
277000	08/99
278000	10/99
279000	12/99
290000	02/00
291000	04/00
292000	06/00
293000	08/00
294000	11/00
295000	02/01
296000	05/01
297000	07/01
298000	09/01
299000	01/02
310000	04/02
311000	07/02
312000	10/02
313000	01/03
314000	04/03
315000	07/03
316000	11/03
317000	03/04
318000	04/04
330000	04/04
331000	07/04
332000	10/04
333000	12/04
334000	04/05

Ser No	Date
335000	05/05
336000	11/05
337000	11/05
338000	03/06
339000	04/06
350000	08/06
351000	01/07
352000	04/07
353000	09/07
354000	01/08
355000	08/08

***All Serial Number
Dates are approximate**

Shipped From Warehouses

Marietta (Georgia)

Ser No	Date
M1000	12/87
M1100	12/88
M1500	04/89
M2000	03/90
M2500	12/90
M3000	09/91
M3500	07/92
M4000	04/93
M4500	02/94
M5000	06/94
M5500	11/94
M6000	04/95
M6500	09/95
M7000	04/96
M7500	10/96
M8000	04/97
M8500	09/97

Ser No	Date
M9000	02/98
M9500	06/98
M10000	09/98
M10500	01/99
M11000	04/99
M11500	08/99
M12000	01/00
M12500	09/00
M13000	10/00
M13500	02/01
M14000	07/01
M14500	01/02
M15000	06/02
M15500	01/03
M16000	07/03
M16500	11/03
M17000	04/04

Ser No	Date
M17500	07/04
M18000	10/04
M19000	01/05
M19500	04/05
M20000	01/06
M20500	03/06
M21000	08/06
M21500	01/07
M21600	03/07
M21700	04/07
M21800	05/07
M21900	07/07
M22000	08/07
M22100	11/07
M22200	12/07
M22300	01/08
M22600	06/08

Others

Ser No	Date
D1000	01/91
D2000	06/92
D3000	03/94
D4000	03/95
D5000	11/96
D6000	04/98
D7000	04/99
F1000	02/00
S1000	04/00
A1000	04/00
T8000	05/00
T9000	09/02
T9500	11/03
T9900	06/04

Burlington (Wisconsin)

Ser No	Date
W1000	11/94
W1100	02/95
W1200	04/95
W1300	06/95
W1400	08/95
W1500	10/95
W1600	12/95
W1700	03/96
W1800	05/96
W1900	08/96
W2000	09/96
W2100	12/96
W2200	02/97
W2300	04/97
W2400	06/97
W2500	08/97

Ser No	Date
W2600	10/97
W2700	12/97
W2800	01/98
W2900	06/98
W3000	07/98
W3100	09/98
W3200	12/98
W3300	03/99
W3400	05/99
W3500	07/99
W3600	09/99
W3700	10/99
W3800	12/99
W3900	03/00
W4000	04/00
W4100	05/00

Ser No	Date
W4200	07/00
W4300	09/00
W4400	11/00
W4500	01/01
W4600	03/01
W4700	05/01
W4800	07/01
W4900	10/01
W5000	12/01
W5100	12/01
W5200	02/02
W5300	03/02
W5400	06/02
W5500	07/02
W5600	09/02
W5700	01/03

Ser No	Date
W5800	01/03
W5900	02/03
W6000	04/03
W6100	06/03
W6200	08/03
W6300	10/03
W6400	01/04
W6500	03/04
W6600	06/04
W6700	09/04
W6800	12/04
W6900	02/05
W7000	05/05

***All Serial Number Dates are approximate**

MISC.

Ser No	Date
CMC100	05/07
CMC200	07/07
CMC300	09/07
CMC400	10/07
CMC500	12/07
CMC600	01/08
CMC700	06/08

Ser No	Date
CMT100	05/07
CMT200	
CMT300	
CMT400	
CMT500	
CMT600	