

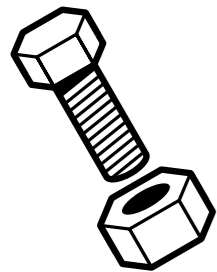
# HIAB T-BODIES

**EASY TO SELL. EASY TO INSTALL**



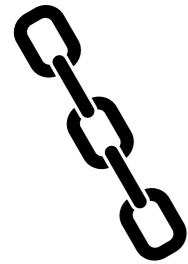
# HIAB T-BODIES TAKE T-CRANES TO THE NEXT LEVEL

Our new, purpose-designed T-bodies will help your hardworking HIAB T-cranes perform even better. Spanning a huge range of applications, our reliable, quality-assured T-bodies are quick to install and easy to maintain.



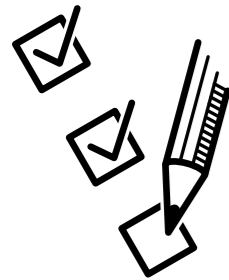
## EASY INSTALLATION, MAINTENANCE AND REPAIRS

T-bodies are pre-assembled at HIAB's dedicated Factory Installation Center in Meppel, the Netherlands, and delivered as ready-to-go kits. As a bodybuilder, all you have to do is attach the T-body to the chassis and connect the chassis to the power pack. The job can easily be completed in a half day.



## ECONOMICAL AND DURABLE

Thanks to a standardized modular design, the cost of HIAB T-bodies is substantially less than conventional solutions. And they're treated with our unique nDurance anti-corrosion coating which offers the industry's toughest protection against corrosion.



## ASSURED QUALITY AND SAFETY

At our dedicated facility in Meppel, we use the most advanced engineering tools and methods in the production process to ensure your T-body meets all the European requirements. This includes stability tests with the actual crane. In addition, all pre-designed and pre-manufactured components are tested for full compliance.

- Reliable quality-assured T-bodies
- Designed exclusively for use with HIAB T-cranes
- Smart, modular design
- Quick installation
- Cost-effective
- 2-year warranty

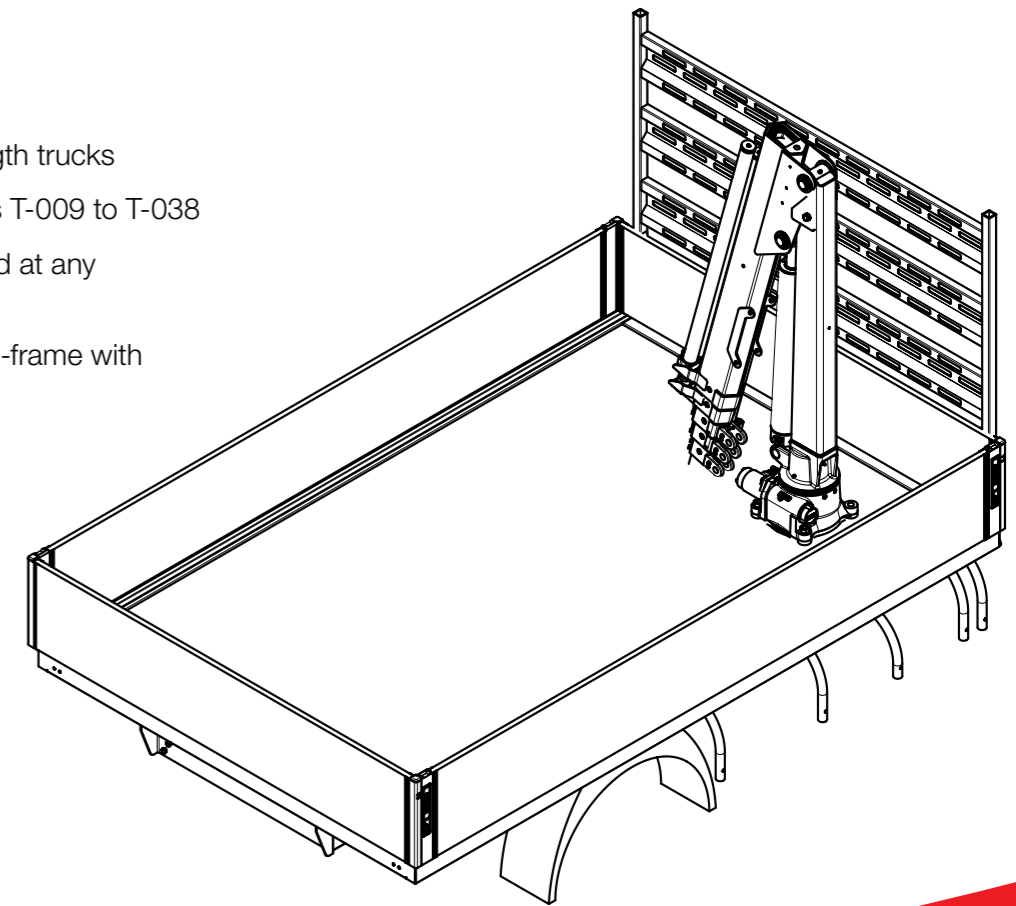


## APPLICATION GUIDE

- Suitable for L2 and L3 length trucks
- Crane range, HIAB models T-009 to T-038
- The T-crane can be located at any of the four corners
- 180-degree rotation of sub-frame with integrated stabilizer beam

## DESIGN

- Reinforced longitudinal beams
- Weather-resistant plywood flooring
- Optional drop sides



# BUILT TO PERFORM

Hiab is the world's leading provider of on-road load handling equipment, intelligent services, smart and connected solutions. Hiab's class-leading load handling equipment includes HIAB, EFFER and ARGOS loader cranes, LOGLIFT and JONSERED forestry and recycling cranes, MOFFETT and PRINCETON truck mounted forklifts, MULTILIFT skiploaders and hooklifts, and tail lifts under the ZEPRO, DEL, and WALTCO brands. As the industry pioneer and with a proud 75 year history, Hiab is committed to be the preferred partner and solution provider to its customers and shape the future of intelligent load handling.

[hiab.com](http://hiab.com)

Hiab is part of Cargotec.

[cargotec.com](http://cargotec.com)

