

Specification Sheet for Cantilever Lift

Company Name: _____ Date: _____

Order Number: _____ Quantity required: _____

Deliver Lift Collect Lift from Del Delivery Date Required: _____

Delivery Address:

Company Name: _____ Street Address: _____

Post Code: _____ City: _____

Vehicle Details

General

Truck GWV: _____ Trailer

Manufacturer: _____ (optional)

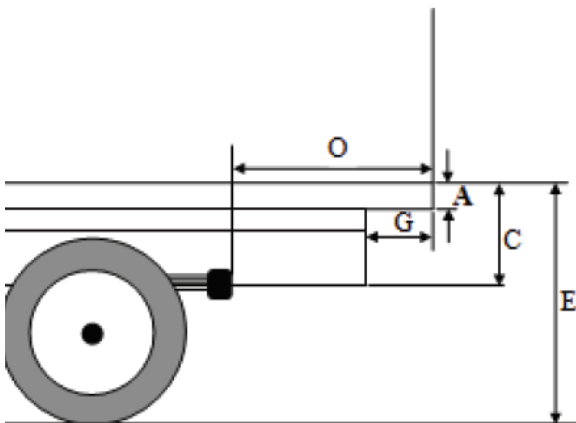
Model: _____ (optional)

Model year: _____ (optional)

Vehicle Voltage 12v 24v

Fitting

Please fill in the geometrical data in pictures below:



All vehicles:

Floor to bottom of frame – C (mm): _____

Rear of frame to rear of body – G (mm): _____

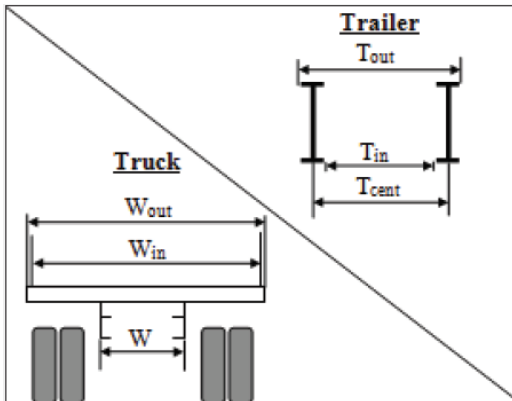
Lifting height unloaded – E (mm): _____

Width of body, external – W_{out} (mm): _____

Overhang rear of springs – O (mm): _____

Width of body, internal – W_{in} (mm): _____

Height of rear sill – A (mm): _____



If truck:

Specify chassis width – W (mm): _____

Are spacers needed due to bolt heads extending on the outside of chassis? Yes No

If trailer:

Specify C-C measurement of chassis I-beams – T_{cent} (mm): _____

Specify inner measurement of chassis I-beams – T_{in} (mm): _____

Specify outer measurement of chassis I-beams – T_{out} (mm): _____

Rear door on body?

Yes (includes guide bar) No, platform as rear door (includes seal kit)

Tow hook

No tow hook Central mount Half under mount Full under mount

Suspension type

Air springs Blade springs

Tail Lift Details

Lifting capacity: 750 kg 1000 kg 1500 kg 2000 kg 2500 kg 3000 kg

Lifting height: As per E-measurement above Other: _____

Surface treatment: Powder paint standard colour (RAL9005, black, up to 1 t, RAL 7024, grey, for heavier lifts)

Powder paint, customer colour (min 5 pcs) – RAL: _____

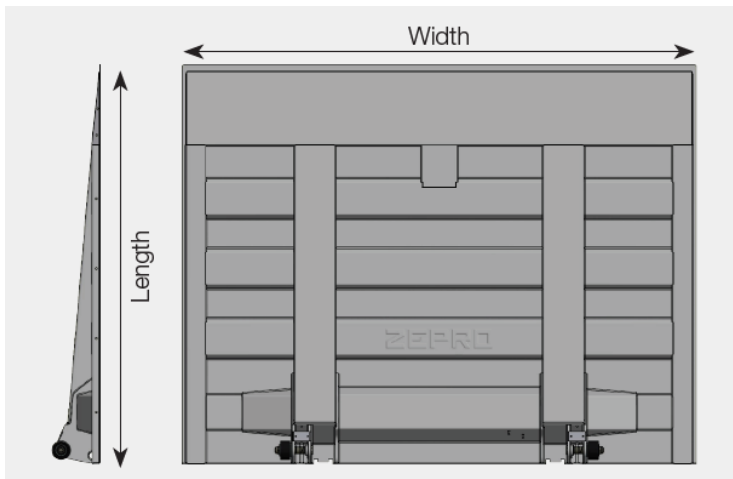
Galvanized

Control units (max 3) Fixed outside Fixed inside Spiral inside Foot control Radio

Auto-tilt: Yes No

Platforms

- 90° roll stops always included.
- Platform material aluminium unless otherwise specified
- All measurements are in mm



If a non-standard size is required, please contact your sales agent. This will need to be approved by DEL Engineering and could incur an extra charge and prolonged deliver time.

Z3N

Platform size: 1450x2160 1600x2160 1600x2350

Folding platform: Yes No

Z10-135

Platform length: 1475x2490 1605x2490

Z15

Platform length: 1805x2450m 2105x2450 2305x2540

Z20

Platform size: 1805x2450 2105x2450 2305x2540 2000x2490 (Steel only)



Options:

Cable Options: 27' Battery Cables, 35 mm (Standard) 43' Battery Cables, 35 mm
 60' Battery Cables, 50 mm

Platform Options: Warning Lights Pair Fixed Side Guards Pair Detachable Side Guards

Other options:

Low noise – PIEK regulation (lift and platform)
 2 Year Warranty 3 Year Warranty 4 Year Warranty 5 Year Warranty

To be completed by DEL

Part Number of Lift: _____

Price of each Lift: _____