

# LOGLIFT 140Z



BASIC DATA

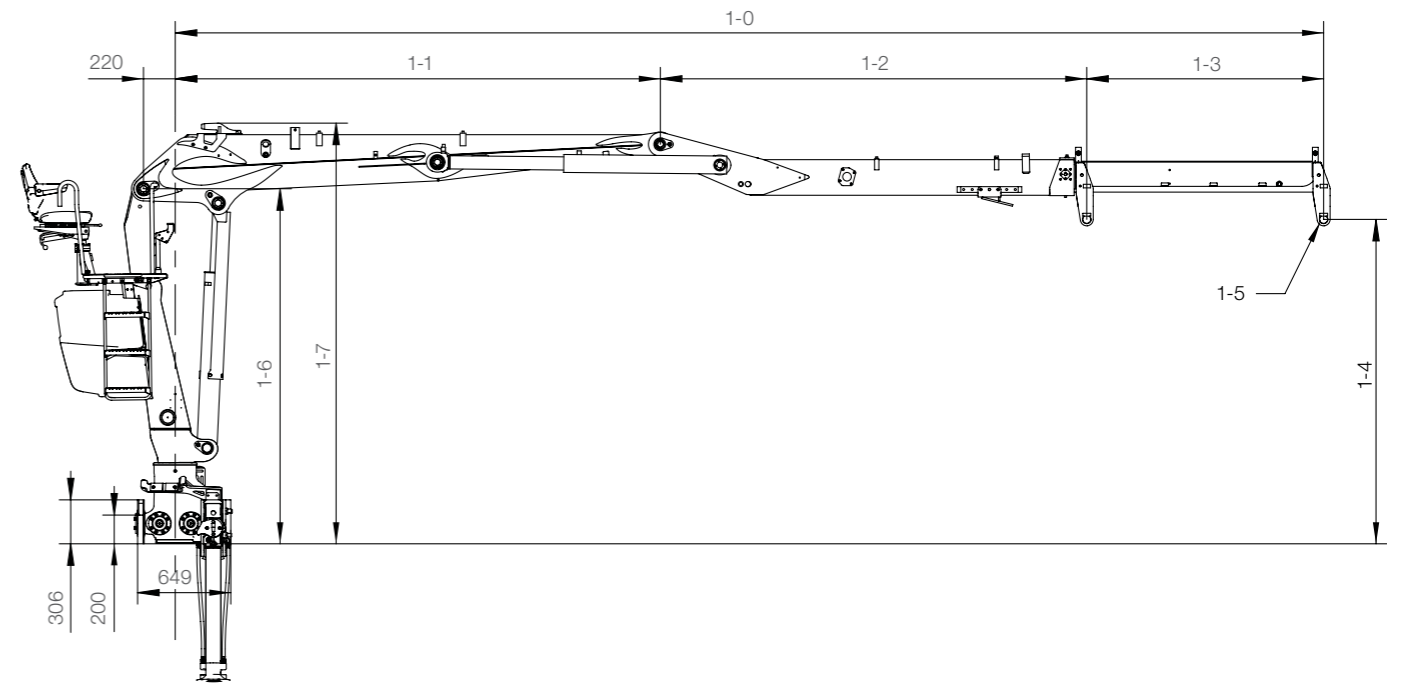
# LOGLIFT 140Z BASIC DATA

| Technical data   | F140Z 80   | F140Z 95                 |
|--|------------|--------------------------|
| Max. lifting capacity (kNm)                                    | 136        | 127                      |
| Hydraulic outreach* (m)  | 8.0        | 9.5                      |
| Number of extensions   | 1          | 2                        |
| Outreach - lifting capacity, standard (m - kg)                 | 3.0 - 3750 | 3.0 - 3450               |
|  | 4.0 - 3050 | 4.0 - 2800               |
|  | 5.0 - 2600 | 5.0 - 2400               |
|  | 6.0 - 2280 | 6.0 - 2120               |
|  | 7.0 - 1940 | 7.0 - 1820               |
|  | 7.5 - 1800 | 8.0 - 1560<br>9.0 - 1240 |
| Slewing system   | Double     |                          |
| Slewing angle (°)  | 425        |                          |
| Slewing torque, gross (kNm)                                    | 28.6       |                          |
| Max. working pressure (MPa)                                    | 26         |                          |
| Recommended oil flow – fixed pump (l/min), 1-pump              | 70-90      |                          |
| Recommended oil flow – fixed pump (l/min), 2-pump              | 2x60-80    |                          |
| Min. recommended oil flow – variable displacement pump (l/min) | 160        |                          |
| Weight - High seat crane with standard stabilizer (kg)*        | 2160       | 2330                     |
| Weight - HiVision crane with standard stabilizer (kg)**        | 2290       | 2460                     |
| Weight - Cabin crane with standard stabilizer (kg)*            | 2570       | 2740                     |

\* Weight with fixed pump system, oil weight included

\*\* Weight with variable pump system, oil weight included

Side view



| Model | 1-0 min | 1-0 max | 1-1  | 1-2  | 1-3  | 1-4  | 1-5         | 1-6  | 1-7  |
|-------|---------|---------|------|------|------|------|-------------|------|------|
| 80    | 6350    | 8000    | 3380 | 2970 | 1650 | 2259 | ∅ 40, B=184 | 2473 | 2930 |
| 95    | 6510    | 9470    | 3380 | 3130 | 2960 | 2199 | ∅ 40, B=184 | 2473 | 2930 |

For more information,  
please visit us at [www.hiab.com](http://www.hiab.com)



# BUILT TO PERFORM

Hiab is the world's leading provider of on-road load handling equipment. Customer satisfaction is the first priority for us. Hiab's product range includes HIAB loader cranes, JONSERED recycling and forestry cranes, LOGLIFT forestry cranes, MOFFETT truck mounted forklifts and MULTILIFT demountables, as well as DEL, WALTCO and ZEPRO tail lifts.

[hiab.com](http://hiab.com)

Hiab is part of Cargotec.

[cargotec.com](http://cargotec.com)

**Disclaimer.** We reserve the right to make changes. Illustrations, drawings and data are not always in accordance with the latest version or standard model in production. The models in the pictures may present special equipment or colours.