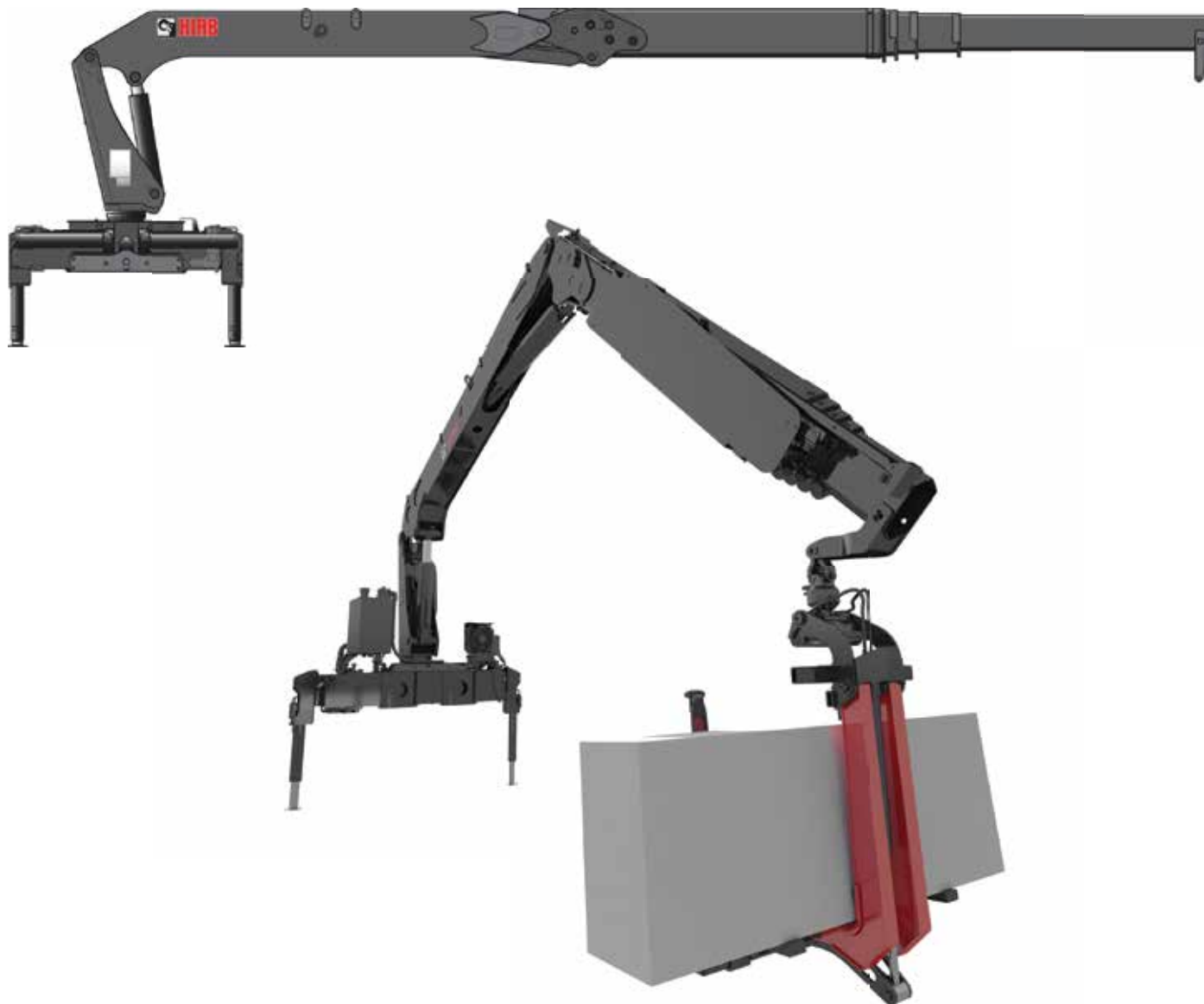


# HIAB K-HIPRO 425-4



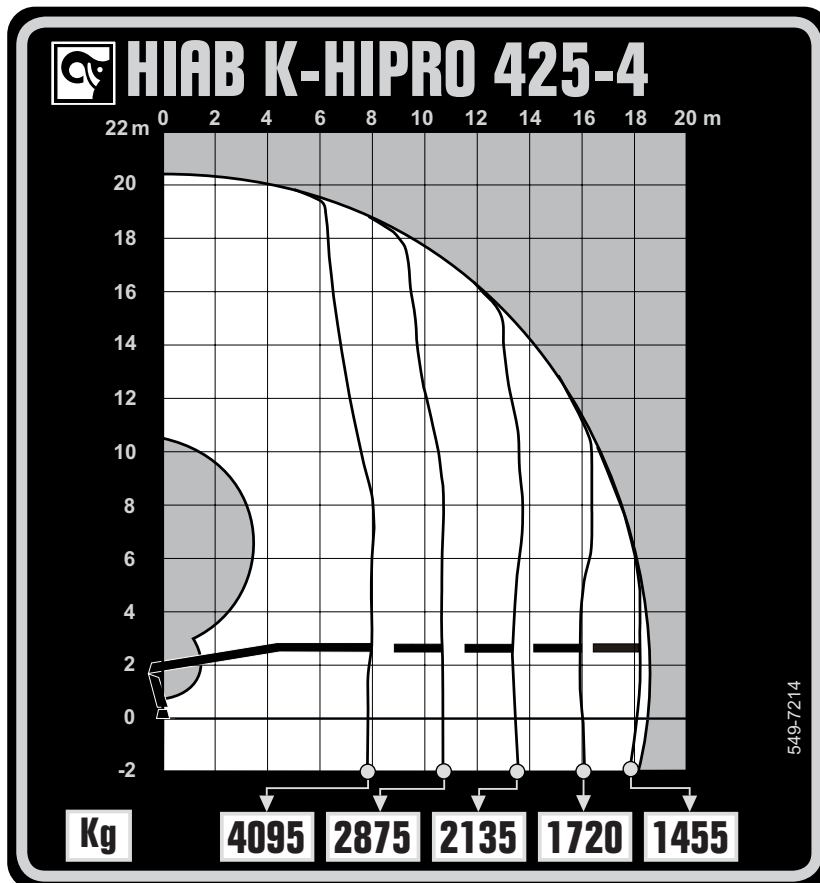
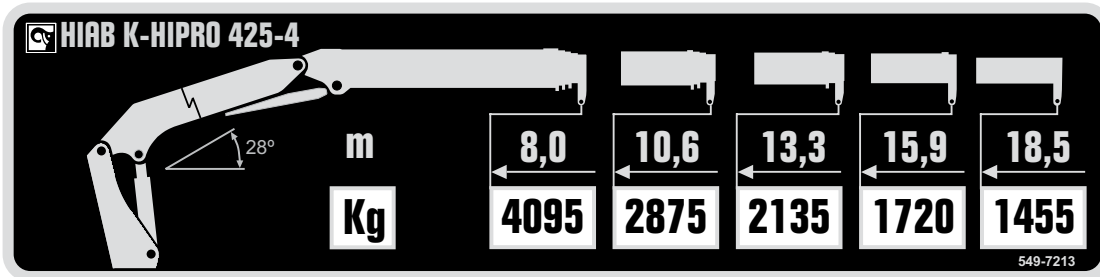
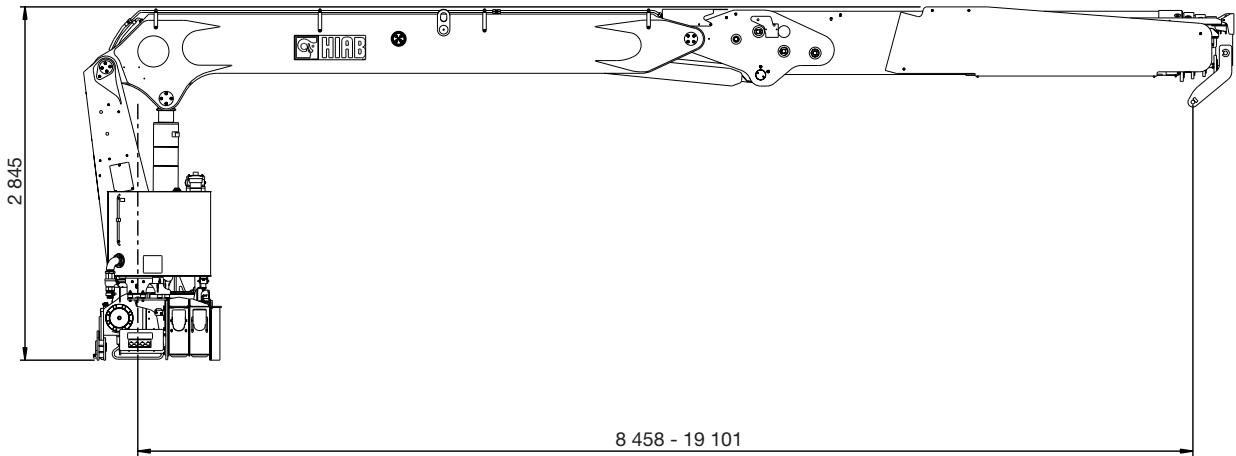
# HIAB K-HIPRO 425-4 BASIC DATA

TECHNICAL DATA		K-HIPRO 425-4
Lifting capacity. max. (kNm)		334 (34.0 tm)
Hydraulic outreach. standard (m)		19.1
Hydraulic boom extension (m)		10.6
Extension cylinder pulling force (kN)		45
Extension cylinder pushing force (kN)		50
Lifting height above installation level, hydr. (m)		21.8
Outreach-lifting capacity, standard (m-kg)		8.0 - 4 095 10.6 - 2 875 13.3 - 2 135 15.9 - 1 720 18.5 - 1 455
Rec. oil flow (l/min)	Fixed pump	80 - 90
	Variable pump	80 - 120
Power needed at rec. oil flow (kW)	Fixed pump	39 - 44
	Variable pump	39 - 58
Working pressure (MPa)		35.5
Oil in tank (l)		160
Tank capacity (l)		205
Slewing angle (°)		460
Max. Slope viable at full capacity (°)		4.7
Slewing speed (°/s)		12
Height with horizontal boom (mm)		2 824
Height in parking position (mm)		2 535
Width in parking position (mm)		2 500
Installation space needed (mm)		1 057
Basic crane without stabiliser system (kg)		4 780
Stabiliser equipment (including support legs) (kg)		625
Frame attachments (kg)		117
Stabiliser extensions spread (m)		7.0

This table shows one example of a model and represents some of all options available. With the opportunity to configure your crane, we can provide you with a crane perfectly tailored to your needs.

Please contact your local dealer for more information and the exact data on the variety of options we can offer.

# HIAB K-HIPRO 425-4



# BUILT TO PERFORM

Hiab is the world's leading provider of on-road load handling equipment. Customer satisfaction is the first priority for us. Hiab's product range includes HIAB loader cranes, JONSERED recycling and forestry cranes, LOGLIFT forestry cranes, MOFFETT truck mounted forklifts and MULTILIFT demountables, as well as DEL, WALTCO and ZEPRO tail lifts.

[hiab.com](http://hiab.com)

Hiab is part of Cargotec.

[cargotec.com](http://cargotec.com)



© ED-KHIPRO425-EN-VW\_170925



[hiab.com](http://hiab.com)

