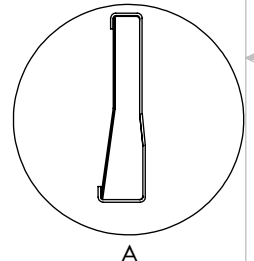
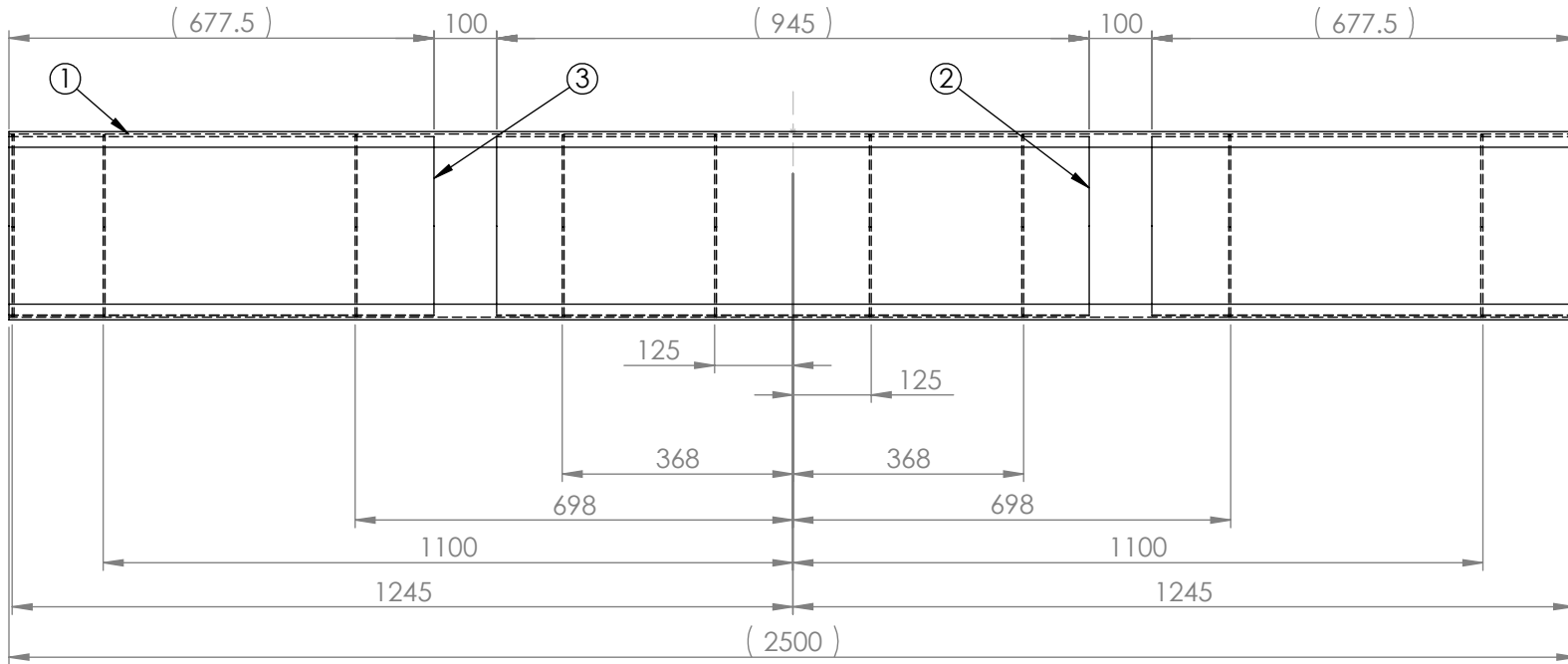
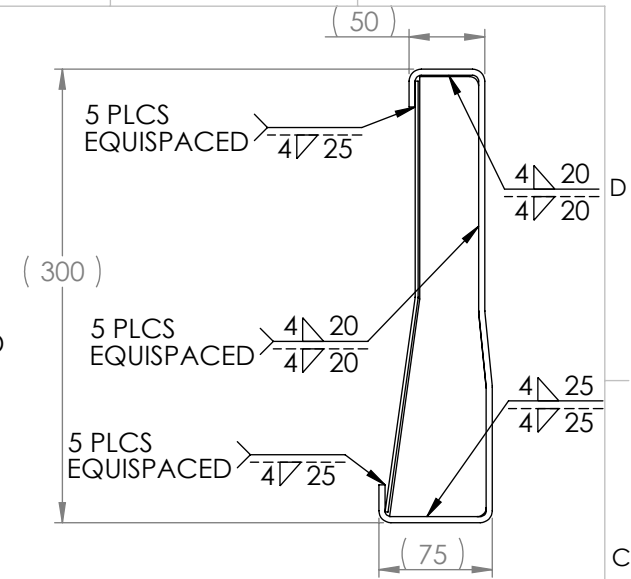


ITEM NO.	QTY.	PART NO.	DESCRIPTION
1	1	56232	WRAP-FLOOR PLATE WELDED ASSY,DA1000 NO CUT OUT
2	1	59560	BASE PLATE,990MM-FLOOR PLATE WELDED ASSY,DA1500 MK4
3	2	59561	BASE PLATE,700MM-FLOOR PLATE WELDED ASSY,DA1500 MK4
4	10	56231	RIB-FLOOR PLATE WELDED ASSY,DA1000 NO CUT OUT

DEL Tuckunder Floor Plate Drawing

DETAIL A
SCALE 1 : 5

THESE WELDS
ARE REPEATED
FOR EACH RIB



General Tolerance
±1.0
Unless Otherwise Specified

Hole Tolerances	
Hole Size	Tolerance
3.00-10.00	+0.15 -0.00
10.00-16.00	+0.25 -0.00
>16.00	+0.40 -0.00

Material:
SEE BOM
Finish:
DEBURRED

DWG. NO.
SCALE
1:10
Dims
mm

59559

www.del-uk.com
+44 (0) 1993 708811
sales@del-uk.com

A
SHEET
1/1
SHEET SIZE
A4

Date	Modelled	Detailed	Approved	Description	Change	Issue
10/02/2012	EM	EM		ORIGINAL	913	A

Made From:

Title:
FLOOR PLATE WELDED ASSY-DA1500 MK4

Used on: