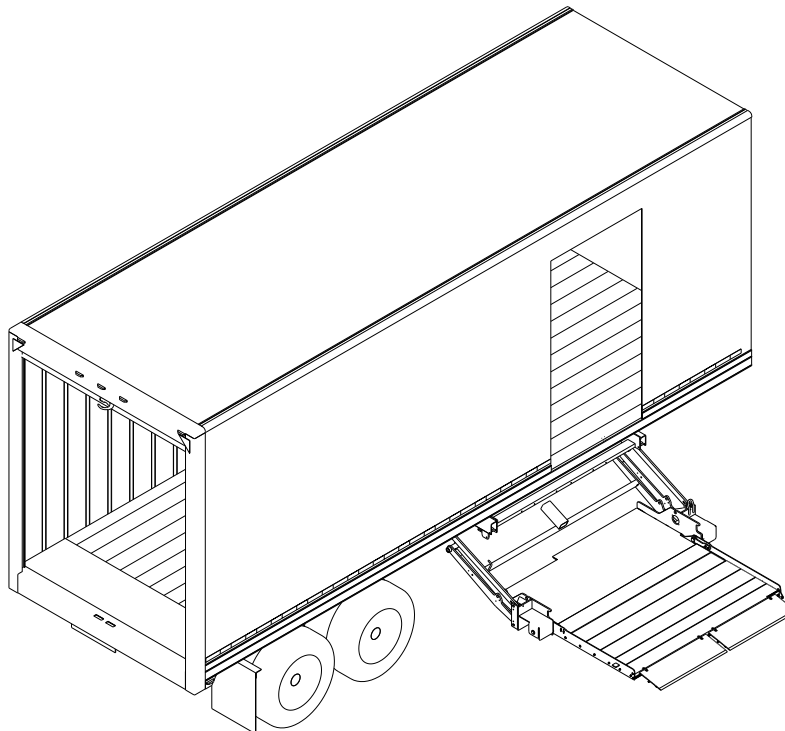


Parts Manual

GTSL-33, 44, 55

3300, 4400, 5500 lb. Capacity Flipaway Liftgates



GR10039

Last Change:

Date	Pages	Description
11-2016	-	RELEASED FOR PRODUCTION

Waltco Lift Corp.
Corporate Office United State
285 Northeast Ave.
Tallmadge, OH 44278
P: 330.633.9191
F: 330.633.1418

Waltco Lift Corp.
United States
620 S Hambledon Ave.
City of Industry, CA 91744
P: 626.964.0990
F: 626.964.0149

Waltco Lift Inc.
Canada
90 North Queen St.
Etobicoke, ON M8Z 2C5
P: 888-343.4550

Table of Contents



Improper installation of this liftgate could result in severe personal injury or death.

Read and understand the contents of these instructions before proceeding.

When installed, this liftgate must not alter or prevent vehicle compliance to any existing state or federal standards.

Each chassis manufacturer's recommendations should be consulted for compliance.

Introduction	3
How to Order Parts	4
Warranty	5
Model Information	6
Placement of Decals	8
Platform.....	11
Track Frame.....	12
Mount Frame.....	13
Hydraulic and Electric Layout.....	14
Pump and Battery Box	15
Schematics	16

Introduction

Each Waltco liftgate is manufactured to stringent quality standards for years of reliable service. To ensure maximum performance of your Waltco liftgate, always specify and use “OEM Parts” from Waltco.

This manual does not provide procedures for the servicing and repair of Waltco liftgates. Service and repair should only be performed by an authorized Waltco distributor. For information on the nearest authorized Waltco distributor contact:

Waltco Lift Corp.

285 Northeast Avenue

Tallmadge, OH 44278

Phone: 800.411.5685

Fax: 800.411.5684

E-mail: parts@waltco.com



The use of non-standard or makeshift parts can be extremely hazardous and result in serious injury or death.



Every vehicle that has a WALTCO Liftgate must have legible WARNING AND OPERATION DECALS clearly posted on the vehicle and an OWNER'S MANUAL in the vehicle at all times as a guide for proper operation and maintenance.

How To Order Parts

Repairs should be made only by authorized mechanics using WALTCO Replacement parts.

When ordering repair or replacement parts, please include all the information asked for below. If this information is not available, a complete written description or sketch of the required part will help WALTCO identify and deliver the needed part to you.

THE FOLLOWING INFORMATION MUST BE INCLUDED:

1. SERIAL NUMBER - [WALTCO liftgate serial numbers can be found on the Specification Tag attached to the mount frame. (On older units the Specification Tag is located on the side or bottom of the platform.)]
2. MODEL NUMBER - [Or capacity]
3. PLATFORM SIZE

THEN INCLUDE THE FOLLOWING INFORMATION:

4. PART NUMBERS
5. DESCRIPTION
6. QUANTITY REQUIRED

MAIL, E-MAIL OR PHONE YOUR REQUEST TO:

Waltco Lift Corp
285 Northeast Avenue
Tallmadge, OH 44278
1-800-411-5685
FAX: 1-800-411-5684
E-MAIL: parts@waltco.com

ALL PARTS ARE F.O.B. FROM THE SHIPPING FACTORY

PLEASE NOTE:

To assure you of continuing and effective quality control, our warranty policy permits replacement of hydraulic cylinders, valves and motor pump units when their factory seals are intact. Parts under warranty will be exchanged promptly after careful inspection of the returned assemblies.

WALTCO warrants its products free of defects in materials and workmanship.

WALTCO will replace components found defective during the warranty period. Labor will be reimbursed according to our flat rate labor schedule at the prevailing shop rate.

Contact our Sales or Warranty departments for the warranty period of your model or for information regarding our flat rate labor schedule.

WALTCO Warranty Claim Procedure

For consideration, all claims must be received within 30 days of repair and include the following information:

- Liftgate Serial Number
- Description of problem and corrective actions
- Itemization of the labor charge to include the number of hours and labor rate

Replacement warranty parts can be obtained by contacting Waltco's Parts Department. Parts must be returned for inspection when requested.

Exclusions:

Waltco's warranty does not include reimbursement for service calls, vehicle rental, towing, travel time, fabrication of parts available from WALTCO, damage from misuse or abuse, negligence, accidents, alteration, loss of income or overtime expense, oil, or normal wear.

Diagnosis and troubleshooting time are included in the flat rate labor times.

Warranty and technical information is available from WALTCO's toll free customer service lines from 8:00 a.m. to 5:00 p.m. EST.

Waltco Lift Corp

285 Northeast Ave, Box 354, Tallmadge, OH 44278

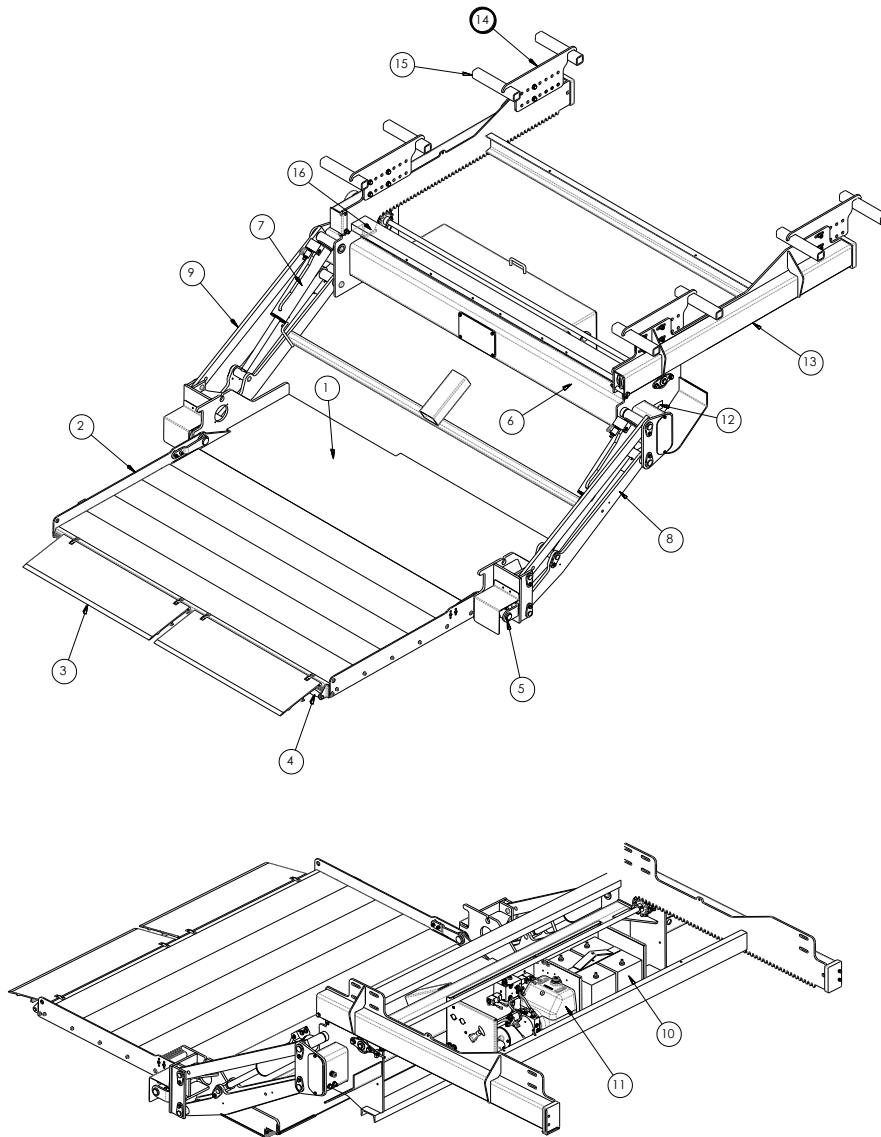
1-800-211-3074, 330-633-9191

Please visit our websites: <http://www.waltco.com> or <http://www.hiab.com>

We're behind you all the way!

Model Information

1. Deck
2. Deck Extension
3. Loading Ramp
4. Platform Handle
5. Torsion Spring
6. Mount Tube
7. Lift Cylinder
8. Lift Arm
9. Parallel Arm
10. Battery Box
11. Pump Box
12. Identification Tag
13. Slide Tube
14. Mount Plate
15. Mount Support Tube
16. Up-Stops

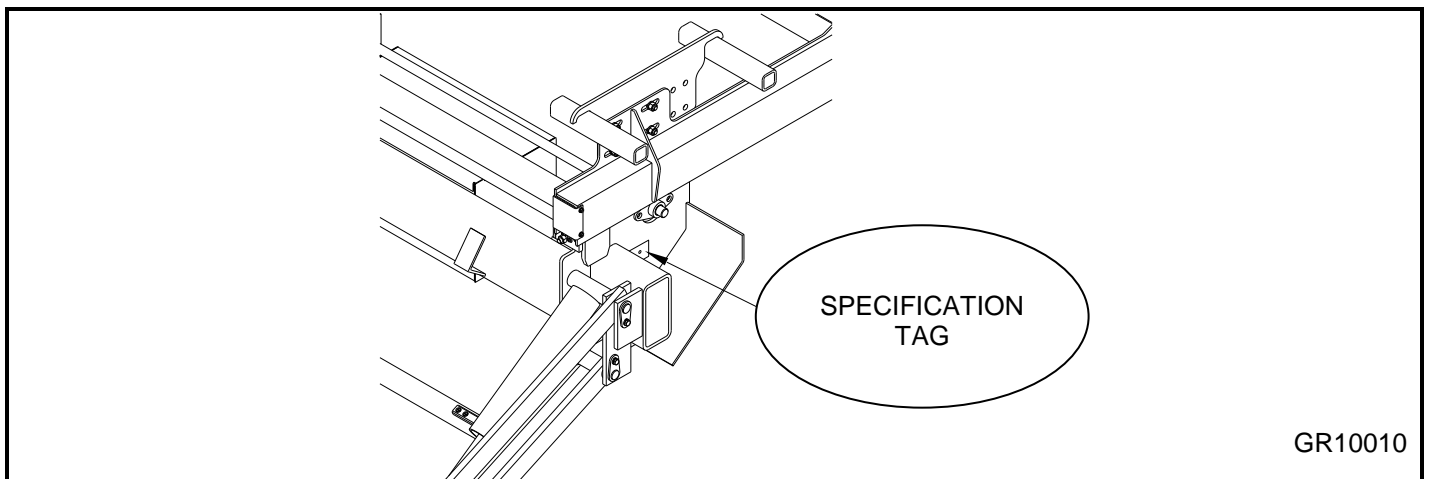
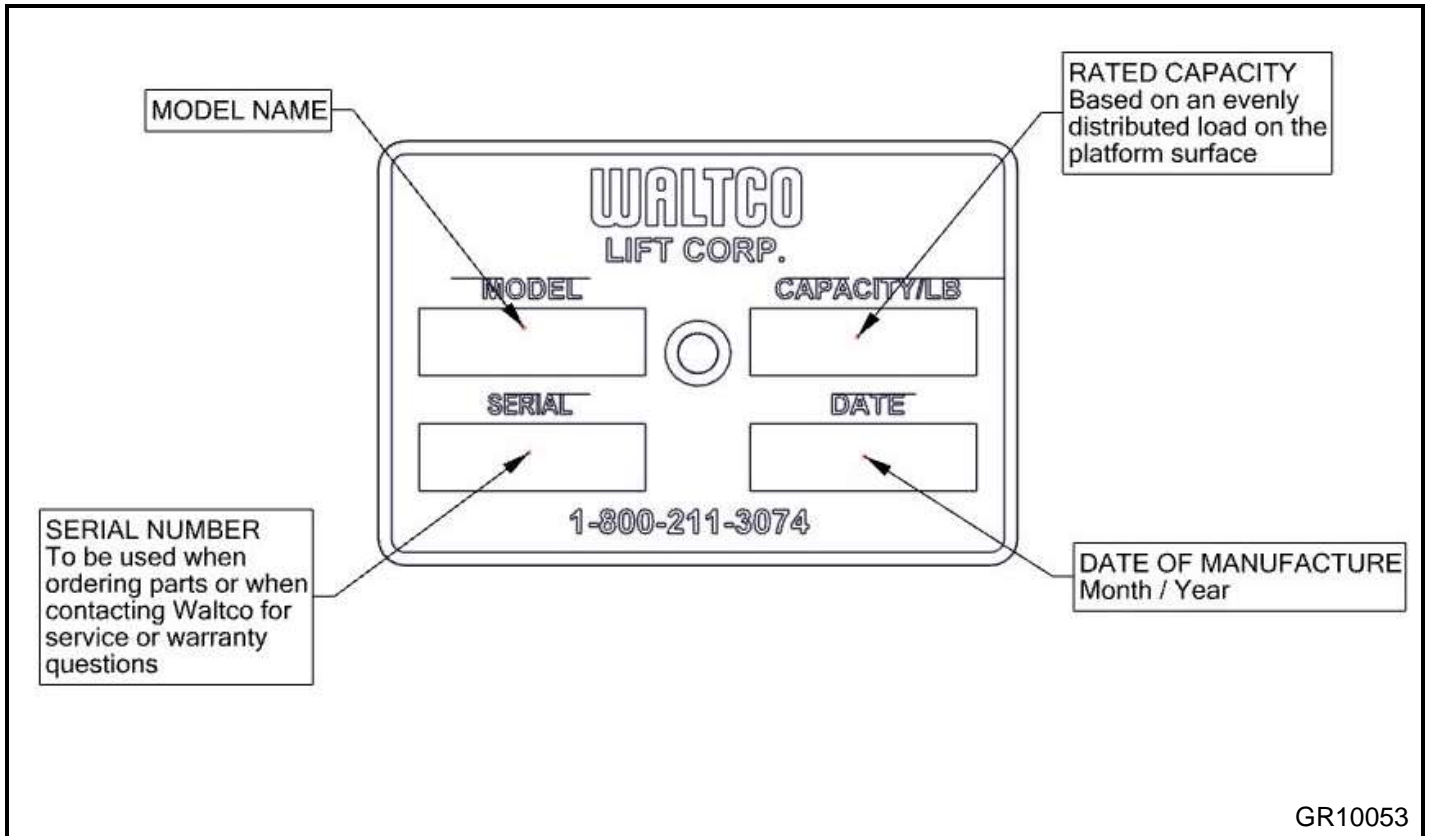


GR10009

Model Information

EXPLANATION OF SPECIFICATION TAG

MODEL NAME	DESCRIPTION	CAPACITY
GTSL-33	GTSL-33 SLIDER LIFTGATE	3300 LBS.
GTSL-44	GTSL-44 SLIDER LIFTGATE	4400 LBS.
GTSL-55	GTSL-55 SLIDER LIFTGATE	5500 LBS.



Placement of Decals

To order complete set of GTSL-Series liftgate decals, order kits below:

GTSL-33 = Kit part number 80002238

GTSL-44 = Kit part number 80002239

GTSL-55 = Kit part number 80002240



All decals must be in place and legible or all warranties are void.

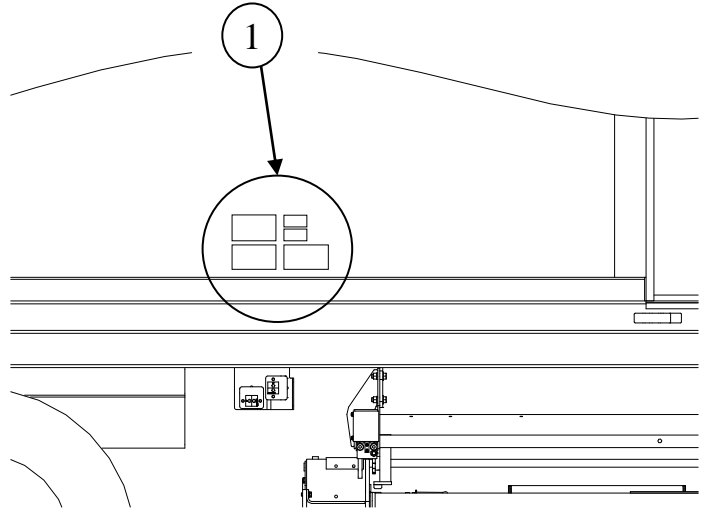
DECAL CHART

AREA	DECAL	QTY	PART NUMBER	LOCATION
1	3300 lb Capacity or	1	80100585	Locate in a conspicuous place near controls. If your liftgate is equipped with dual controls, an additional Safety Instruction decal (80100850) is to be placed in a conspicuous place near the second set of the controls. Refer to the following diagram showing decal locations.
	4400 lb Capacity or		80100587	
	5500 lb Capacity		80101308	
	Operation Decal	1	80101445	
	Safety Decal	1	80100850	
	Stand Clear	1	75089296	
	Hazard	1	80101370	
2	3300 lb Capacity or	2	80100585	Locate on parallel arms
	4400 lb Capacity or		80100587	
	5500 lb Capacity		80101308	
	Stand Clear	2	75089296	
3	Use Handle Decal	1	75089295	Locate next to handle on platform extension

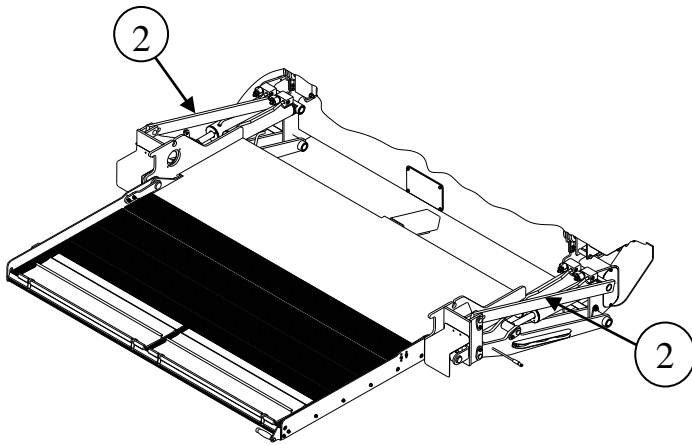
Placement of Decals

To maximize decal adhesion to surfaces:

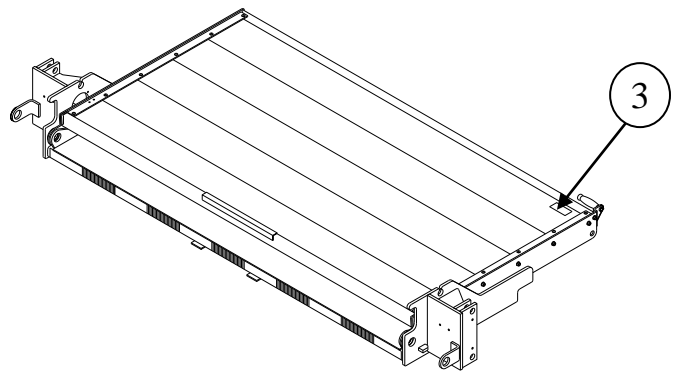
- Surface must be dry and clean
- Firm pressure must be applied to decal
- Minimum surface temperature 65°
Heat gun may be used to heat surface



GR10022



GR10023

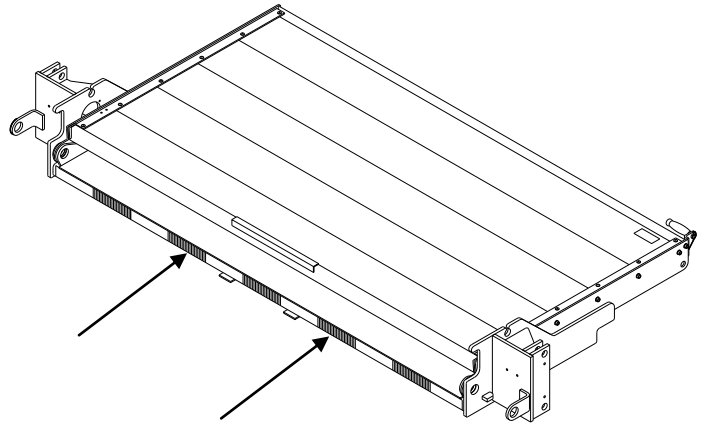


GR10024

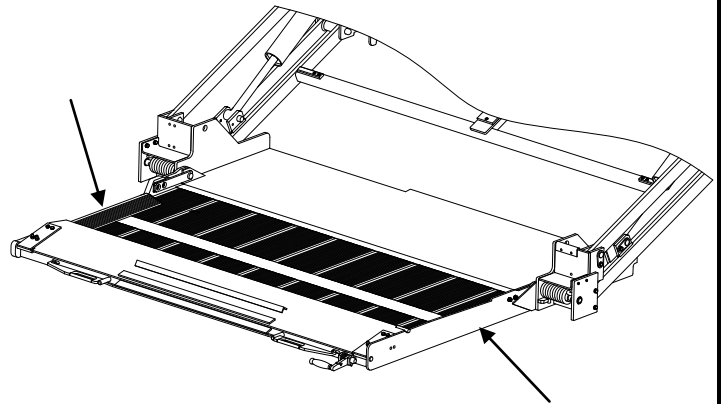
Placement of Decals

CONSPICUITY TAPE

Conspicuity tape is attached to Main Deck Tube as shown.



GR10025



GR10026

ITEM	PART NUMBER	QTY	DESCRIPTION
1	27811302	1	MAIN DECK, STEEL, FOR 70X80
	27811015GV ^E		MAIN DECK ASSY, 70X80, BOLT-ON SKIN, GALV
	27811301		MAIN DECK, STEEL, FOR 80X80
2	27811016GV ^D	1	MAIN DECK ASSY, 80X80, BOLT-ON SKIN, GALV
	27813140		DECK EXT ASSY, 2 PIECE RAMP, FOR 70X80
	27813140GV		DECK EXT ASSY, 2 PIECE RAMP, FOR 70X80 GALV
	27813150		DECK EXT ASSY, 2 PIECE RAMP, FOR 80X80
3	27813150GV	1	DECK EXT ASSY, 2 PIECE RAMP, FOR 80X80 GALV
	27813145		DECK EXT ASSY, ONE PIECE RAMP, FOR 70X80
	27813145GV		DECK EXT ASSY, SINGLE PIECE RAMP, FOR 70X80 GALV
	27813155		DECK EXT ASSY, ONE PIECE RAMP, FOR 80X80
4	27813155GV	1	DECK EXT ASSY, SINGLE PIECE RAMP, GALV, FOR 80X80
	27819075		SPRING SPACER
5	27819080	2	SPRING, PLATFORM
6	27819100	1	HINGE PIN, CS
7	27819200	1	HINGE PIN, DS
8	39035700	2	UPPER RUNNER BEARING
9	7500010-48	2	HEX BOLT, 5/8-11X3-1/4" LG GR8 YELLOW ZINC
10	75085012	4	HEX NUT, 5/8-11
11	75085193	4	LOCK NUT, 3/8-16
12	75086872	4	BUTTON HEAD, 3/8-16X1-1/4"
13	75086874	4	SCREW, 1/4-20X5/8" HEX HEAD TYPE F SELF TAPPING
14	75088085	4	LOCK WASHER, 5/8"
15	27813998 ^B	2	FLIP RAMP, DUAL

ITEM	PART NUMBER	QTY	DESCRIPTION
16	27813982 ^B	1	HINGE PIN, LONG
17	27813983 ^B	4	HINGE PIN, CRIMPED
18	27813985 ^B	4	HINGE BLOCK
19	75090178 ^{AB}	1	HANDLE, VINYL
20	27813820 ^{AC}	1	FLIP RAMP, SINGLE
21	27814050 ^{AC}	1	HINGE, SINGLE RAMP, DS
22	27814000 ^{AC}	1	HINGE, SINGLE RAMP, CS
23	75085992 ^{AC}	6	FLAT HEAD SOCKET SCREW, 3/8-16X3/4"
24	75085188 ^{AC}	6	LOCK NUT, 3/8"
25	75089306 ^{AC}	2	GREASE ZERK
26	7500019-4 ^{AC}	1	SOCKET HEAD SHOULDER SCREW, 3/8"X5/16-18
27	42669299 ^{AC}	1	PUCK
28	75085007 ^{AC}	1	NUT, 5/16-18
29	75088061 ^A	2	WASHER, 1"
30	42668142 ^A	1	LATCH, FLIP RAMP
31	75089541 ^A	1	SPRING PIN, 1/4"X1-7/8"
32	75085193 ^A	2	LOCK NUT, 3/8-16
33	75086218 ^A	1	HEX BOLT, 3/8-16X1-1/4" GR 8
34	75085995	18	FLAT HEAD SOCKET SCREW 1/4-20
35	75088079	18	LOCK WASHER, 1/4"
36	75085161	18	NYLOCK NUT 1/4-20

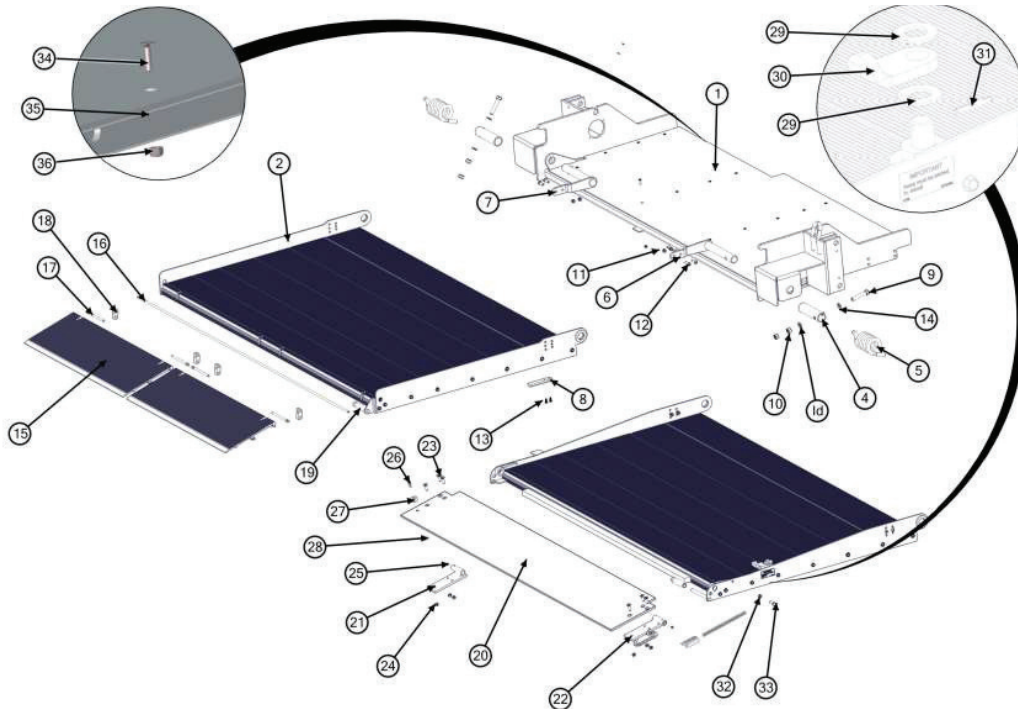
- ^A Parts are included in Single Ramp Deck Ext Assembly
^B Parts are included in Dual Ramp Deck Ext Assembly
^C Parts are included in Single Flip Ramp Assembly 27813200
^D Bolt-On Deck Skin only 27811305GV
^E Bolt-On Deck Skin only 27811311GV

WALTCO
Lift Corp
GTSL-33/44/55

REVISED: 10/26/16
E.O. 7711B
REV. 01

PM-957

Platform



WALTCO
Lift Corp
GTSL-33/44/55

REVISED: 10/26/16
E.O. 7711B
REV. 01

PM-957

ITEM	PART NUMBER	QTY	DESCRIPTION
1	27865000	1	TRACK FRAME, SHORT LENGTH, 64"
	27865000GV		TRACK FRAME, SHORT LENGTH, GALV
	27866000		TRACK FRAME, MID LENGTH, 66 3/4"
	27866000GV		TRACK FRAME, MID LENGTH, GALV
	27867000		TRACK FRAME, LONG LENGTH, 72 3/4"
	27867000GV		TRACK FRAME, LONG LENGTH, GALV
2	27564070	1	PLATE, DECAL MOUNTING
	27564070ZN		PLATE, DECAL MOUNTING (ZINC PLATED)
3	27899001	4	MOUNT PLATE REMOVABLE GTSL
4	27899006	8	SQ TUBE, 2 X .25
5	27869130	2	TRACK COVER
6	27865103	2	MOUNT FRAME STOP
7	7500010-44 ^B	4	HEX BOLT, 1/2-13X4-1/2, GR8
8	75088083 ^B	4	LOCK WASHER, 1/2"
9	75085162 ^B	4	LOCK NUT, NYLON 1/2-13
10	75085115	12	NYLOCK NUT, 9/16-18
11	75085161	6	LOCK NUT, NYLON 1/4-20
12	75086006	2	HEX BOLT, 1/4-20X1.0
13	75086202	6	HEX BOLT, 9/16-18X1-3/4, GR 8
14	75088065	12	WASHER, 9/16"
15	27865102 ^A	2	REAR STOP BLOCK

^A Parts are used on 80X80 Platform with Short Arms

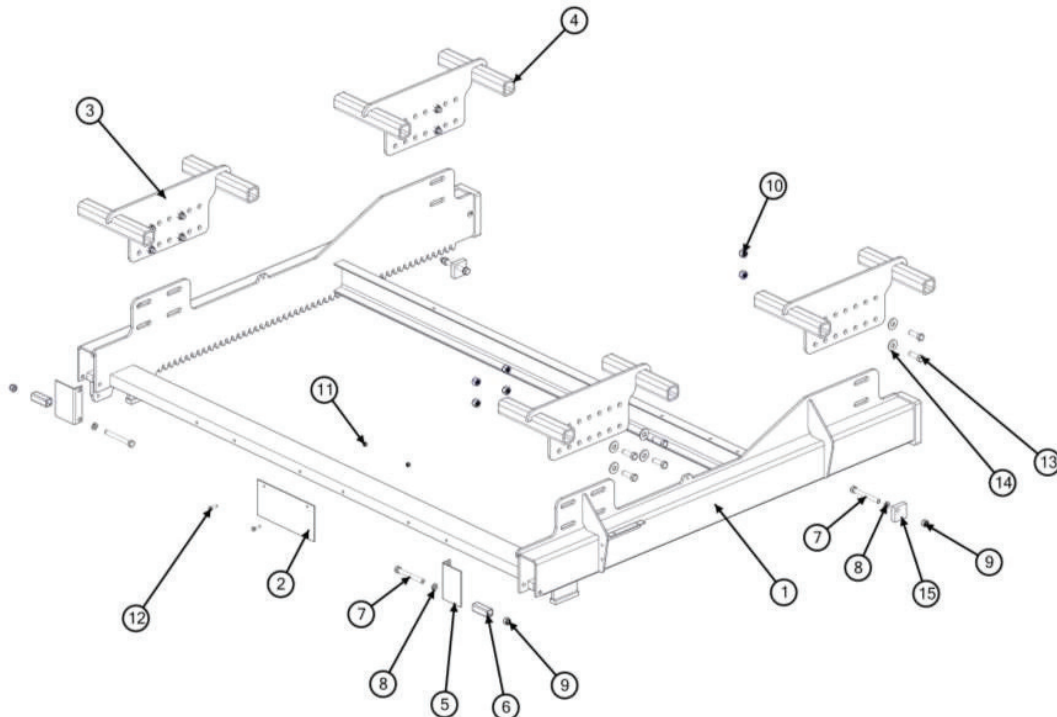
^B Quantity of 2 when 27865102 not present

WALTCO
Lift Corp
GTSL-33/44/55

REVISED: 10/26/16
E.O. 7711B
REV. 01

PM-953

TRACK FRAME



WALTCO
Lift Corp
GTSL-33/44/55

REVISED: 10/26/16
E.O. 7711B
REV. 01

PM-953

ITEM	PART NUMBER	QTY	DESCRIPTION
1	27891550	1	PUMP BOX LID ASSY
	27891500GV		PUMP BOX LID ASSY, GALV
2	27391301	2	HOLD DOWN, POWER UNIT COVER
3	27820800	2	COVER PLATE, MOUNT TUBE
4	27822000	1	MOUNT FRAME, GT
	27822002GV		MOUNT FRAME, GT, GALV
5	27821285	2	STOP BUMPER & GUIDE
6	27821290	2	STOP BUMPER
7	27821261	1	GASKET, ACCESS COVER
8	27821265	1	ACCESS COVER
	27821265GV		ACCESS COVER, GALV
9	27831100	1	LIFT ARM, SHORT
	27831100GV		LIFT ARM, SHORT, GALV
	27831110		LIFT ARM, LONG
	27831110GV		LIFT ARM, LONG, GALV
10	27851070	2	PARALLEL ARM, SHORT
	27851070GV		PARALLEL ARM, SHORT, GALV
	27851080		PARALLEL ARM, LONG
	27851080GV		PARALLEL ARM, LONG, GALV
11	27865200	1	BEARING ASSY
12	27866535 ^{AB}	8	WHEEL ASSY
13	27869050	1	HYDRAULIC MOTOR
14	27866001ZN	1	DRIVE SHAFT, ZINC
15	27866400	2	PINION ADJUSTER
16	27870800	2	PIN WELDMENT 1"X1-7/8" LG.
17	27880020	2	GT LIFT CYLINDER
18	27871002	2	PIN WELDMENT 1DIA X 4-15/32 LG
19	75085002	8	1/4-20 S.S. NYLOK NUT
20	7500010-21	8	HEX BOLT, 1/2-20X1, GR 8
21	75088053	10	WASHER, 3/8"
22	75088081	10	LOCK WASHER, 3/8
23	75086055	10	HEX BOLT, 3/8-16X3/4 GR 5
24	27895100	4	PIN WELDMENT 1.25 DIA X 7-5/8
25	27895200	2	PIN WELDMENT 1 DIA X 7.75 LG

ITEM	PART NUMBER	QTY	DESCRIPTION
26	75085003	6	HEX NUT, 5/16-18, SERRATED
27	75085201	4	HEX NUT, 1/2-13, TOP LOCK
28	75088067	4	WASHER, 1/2"
29	75088052	6	WASHER, 5/16"
30	7500010-41	2	HEX BOLT, 1/2-13X1-1/2", GR 8
31	7500009-9	2	SHCS, 1/2-13 X 1-3/4
32	75086065	4	HEX BOLT, 5/16-18X3/4 GR 5
33	75088080	4	LOCK WASHER, 5/16
34	75001013 ^{AB}	8	1-1/4" RETAINING RING
35	75088073 ^{AB}	8	THRUST WASHER
36	10010197	8	BEARING 1.25IDX1.38OD, 0.563"
37	10010183	1	BEARING 1.00IDX1.25OD, 1.250"
38	10010140	4	BEARING, 1.00IDX1.25OD, 1.000"
39	10010189	4	BEARING, 1.25IDX1.50OD, 1.000"
40	85803391	4	BEARING, 1.00IDX1.25OD, 1.000"
41	10010142	2	BEARING, 1.00IDX1.25OD, 0.750"
42	10010162	2	BEARING, 1.25IDX1.50OD, 0.750"
43	10010189	4	BEARING, 1.25IDX1.50ODX1.0,
44	75086876	4	BUTTON HEAD SOCKET SCREW 1-4-20X3/4
45	75088079	4	LOCK WASHER, 1/4
46	75089306	4	GREASE ZERK, 1/4-28 TAPER
47	7500093-1	1	ELBOW, 45, SAE M X JIC M
48	75089402	1	RIVET
49	75089450	1	WALTCO SPEC TAG
50	75083319	2	ADAPTER, 7/8 SAE TO 9/16 JIC
51	75088061	2	WASHER, 1"
52	75081223	1	BRONZE WASHER
53	75088086	2	LOCK WASHER, HIGH COLLAR

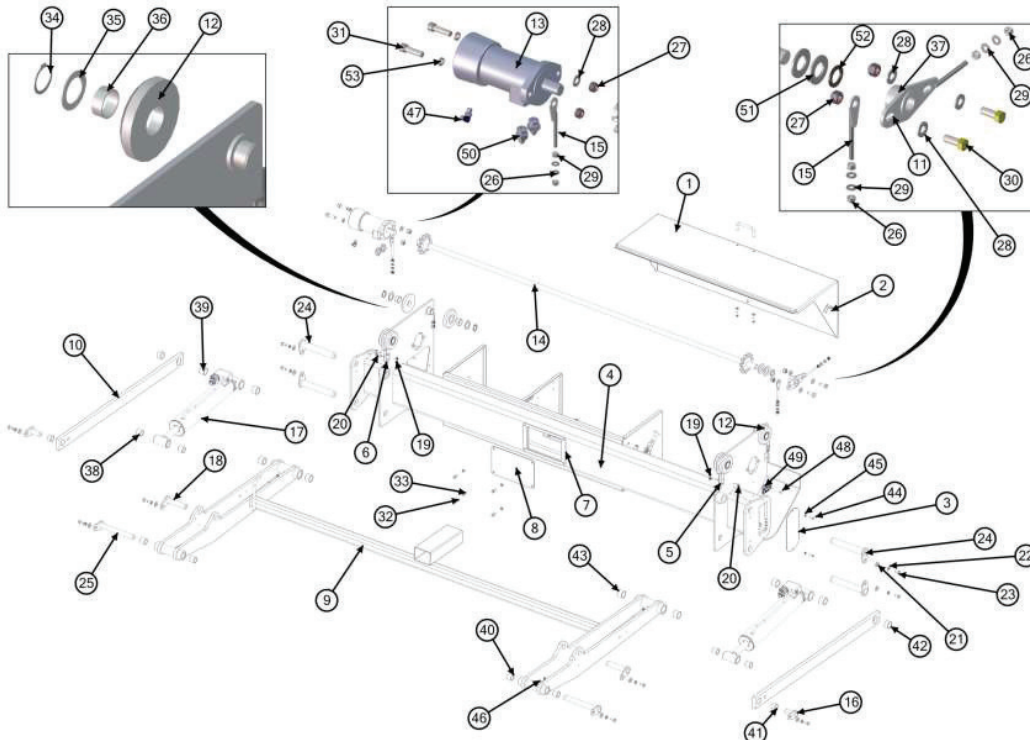
- A 80002245 Kit, Wheel Replacement (1 wheel)
B 80002246 Kit, Wheel Replacement (8 wheels)

WALTCO
Lift Corp
GTSL-33/44/55

REVISED: 10/19/2016
E.O. 7711B
REV. 01

PM-954

MOUNT FRAME



WALTCO
Lift Corp
GTSL-33/44/55

REVISED: 10/19/2016
E.O. 7711B
REV. 01

PM-954

ITEM	PART NUMBER	QTY	DESCRIPTION
1	7500093-1	1	ELBOW, SAE M X JIC M, 45 DEG
2	7500099-1	2	EXTENDED 90 BEND 6 CC5OX-S
3	7500081-1	2	TEE, #6 JICM X #6 JICM X #6
4	7500090-2	2	LONG STRAIGHT THREAD CONNECTOR
5	7500109-1	2	HOSE, 1/4" X 15-1/2"
6	7500109-2	1	HOSE, 1/4" X 15-1/2"
7	7500110-1	4	HOSE, 1/4" X 19"
8	22781502	1	LOCK VALVE COMPLETE
9	27581036	1	LOCK VALVE, COIL
10	27869050	1	HYDRAULIC MOTOR WITH BRAKE
11	27880020	2	HYDRAULIC LIFT CYLINDER
12	27884051 ^A	1	RAISE TUBE, CS
13	27884061 ^A	1	LOWERING TUBE, CS
14	27884071 ^C	1	RAISE TUBE, DS
15	27884081 ^C	1	LOWERING TUBE, DS
16	27884091 ^B	2	BRAKE & IN/OUT TUBE
17	27884101 ^B	1	IN/OUT TUBE
18	27884150 ^{ABC}	6	TUBE CLAMP MIDSTATE
19	27897030	2	LOCK VALVE HARNESS
20	75082869	1	ELBOW, 90 DEG, 9/16-18
21	75083028	7	ELBOW, 90 DEG SWIVEL
22	75083319	2	ADAPTER, 7/8 SAE - 9/16 JIC

^A Parts are included in Lift Tube Cluster, CS

^B Parts are included in Motor Cluster, DS

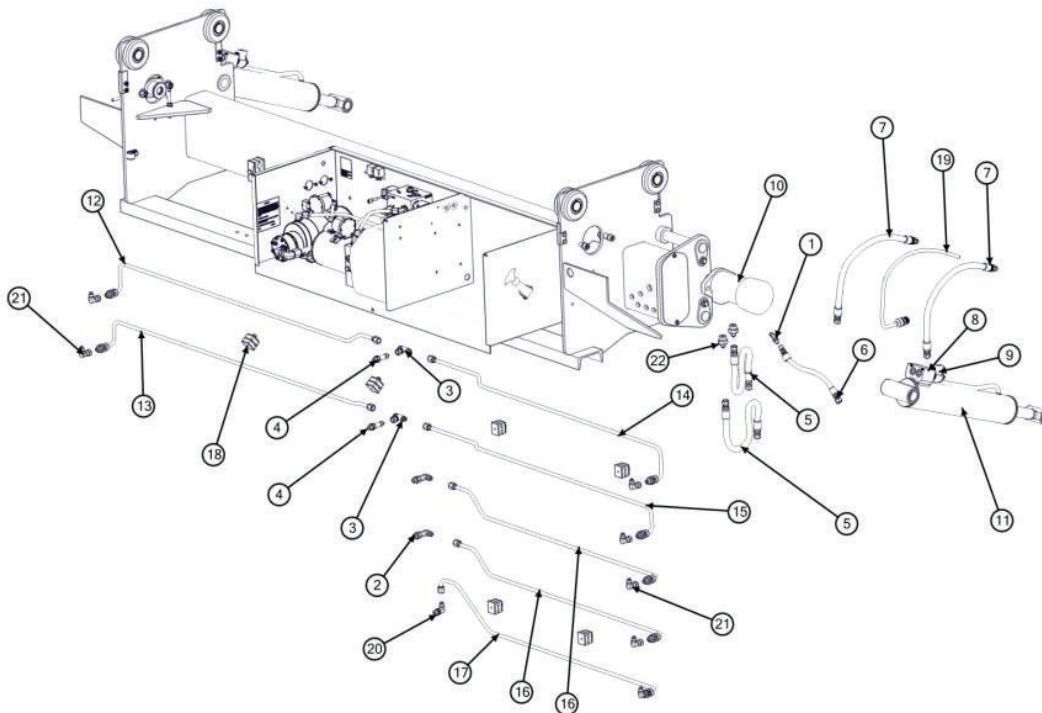
^C Parts are included in Lift Tube Cluster, DS

WALTCO
LIFT CORP
GTSL-33/44/55

REVISED: 10/19/2016
E.O. 7711B
REV. 01

PM-955

HYDRAULIC AND ELECTRIC LAYOUT



WALTCO
LIFT CORP
GTSL-33/44/55

REVISED: 10/19/2016
E.O. 7711B
REV. 01

PM-955

ITEM	PART NUMBER	QTY	DESCRIPTION
1	10195509BK	1	BATT. CABLE ASY, 9" 1GA NEG.
2	10195509RD	1	BATT. CABLE ASY, 9" 1GA POS.
3	10195528BK	1	BATT. CABLE ASY, 28" 2GA NEG.
4	10195538RD	1	BATT. CABLE ASY, 38" 2GA POS.
5	27884011 ^A	1	SECONDARY PUMP SUCTION LINE
6	27884021 ^A	1	SECONDARY PUMP PRESSURE LINE
7	27884030	1	RETURN TUBE
8	27884040	1	PRIMARY PRESSURE LINE
9	27891000	1	PUMP BOX
	27891005GV		PUMP BOX, GALV, RIVET ASSY
10	27897000	1	MAIN WIRING HARNESS
11	42669036	1	BATTERY HOLD ASSY DUAL
12	42669079	1	THREADED ROD, 3/8-16 X 12"L ZINC-PLATED
13	70427800	1	PRIMARY PUMP
14	70427851 ^A	1	SECONDARY PUMP
15	70427875	1	VALVE BLOCK, GT POWER DOWN
	70427880		VALVE BLOCK, GT GRAVITY DOWN
16	7500081-1	2	TEE, #6 JICM X #6 JICM X #6 JICF BRANCH 6 SGX
17	7500090-2	2	LONG STRAIGHT THREAD CONNECTOR #6 SAE O-RING M TO #6 JICM
18	75082869	4	ELBOW, 90°, 9/16-18 37° MALE X 9/16"-18" O"RING
19	75085096	2	HEX NUT, 3/8-16, GR 2
20	75086055	2	HEX BOLT, 3/8-16X3/4 GR 5
21	75088081	6	LOCK WASHER, 3/8"
22	75088265	2	STRT THRD CONNCTR, #8 SAE O-RING-#8 SAE JIC 37 FL
23	90908980	1	CARTRIDGE, 4 WAY, 3 POS
24	90908981	1	CARTRIDGE, 4 WAY, 3 POS POWER DOWN
	99533933		CARTRIDGE, 3-WAY/2-POS VALVE GRAVITY DOWN
25	91160931	4 ^B	COIL, HIGH WATT, 10VDC, 25WATT MALE TERM

ITEM	PART NUMBER	QTY	DESCRIPTION
26	75089872 ^A	1	SWITCH, TOGGLE SPST, IP67, W/QD MCMaster 7172K21 W/QD OR EQUIV
27	75089313	4	GROMMET, .5ID X 13/16GD REPLACES THE 90435989
28	75089322	1	GROMMET, 5/16 ID
29	75086062	4	HEX BOLT, 1/4-20X3/4 LG GR. 5
30	75088079	4	LOCK WASHER, 1/4 PLATED
31	75086036	4	HEX BOLT, 5/16-18 X 1, GR. 2
32	85803921	2	RELAY, 12 VOLT/30 AMP MAX.
33	27391301	2	HOLD DOWN, POWER UNIT COVER
34	75085005	4	NUT, 3/8-16 SERRATED
35	7500099-1	3	EXTENDED 90 BEND 6 CC50X-S #6 O-RINGM TO #6 JIM
36	75086056	2	HEX BOLT, 3/8-16X1, GR 5 PLATED
37	75082866	2	ELBOW, 45°, MALE, 9/16-18 37° X 9/16"-18" O" RING.
38	10099501	1	TERMINAL LINK, 90°
39	10195112BK	1	BATT. CABLE ASY, 112
40	75050009	1	CABLE CLAMP, BULKHEAD
41	75086720	4	SCREW, #5-40X1/2", ROUND HEAD PLATED
42	75072160	4	NUT, 5-40, PLATED
43	75089243	1	150 AMP CIRCUIT BREAKER
44	75082745	1	BARBED ELBOW FITTING, 1/2" NPT X 1/2"
45	7500092-1	1	STRAIGHT ADAPTER
46	75082604	1	ADAPTER, 3/8 NPTF X 3/4 NPTM
47	7500026-4	1	ELBOW, 90°, 1/2 BARB X 3/8 NPTM
48	75088053	4	WASHER, 3/8" X 1"
49	75083369	1	ELBOW, 90°, #8 JICM X #8 ORBM
50	10195509RD	1	9" BATTERY CABLE ASSY
51	75083357	1	ELBOW, 90°, #8 JICM X #8 JICFX
52	75082050	1	CYCLE COUNTER
53	75089569	2	PLASTIC PLUG, 7/8" DIA

^A OPTIONAL – DUAL PUMP OPTION

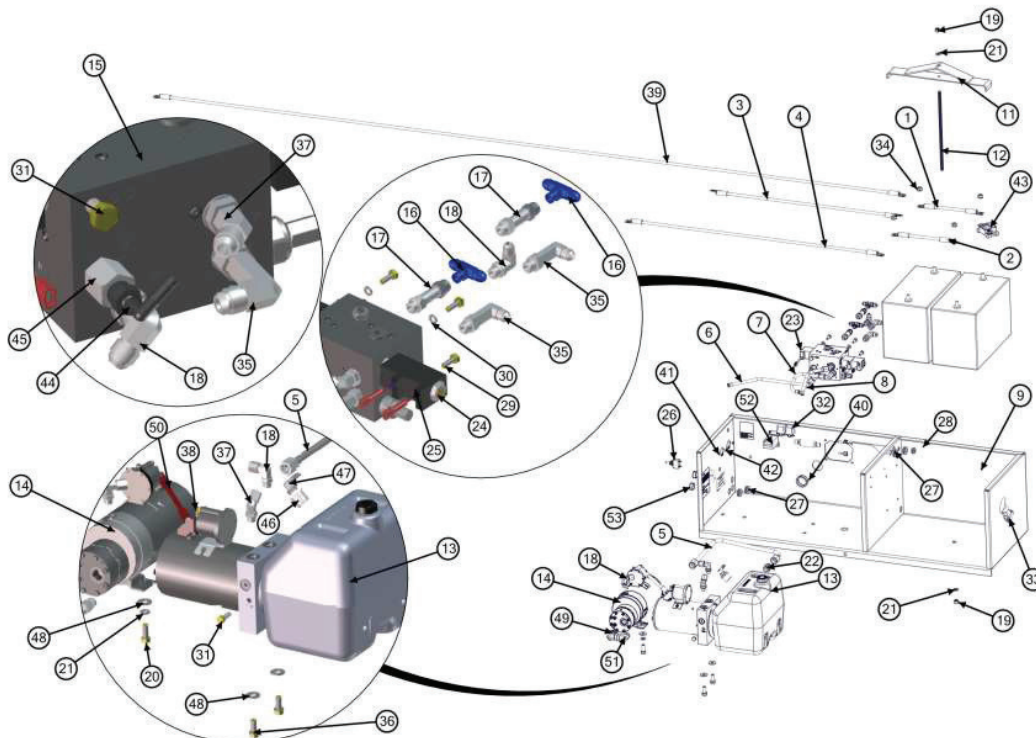
^B QTY IS 3 WITH GRAVITY DOWN POWER UNIT

WALTCO
LIFT CORP
GTSL-33/44/55

REVISED: 10/26/16
E.O. 7711B
REV. 01

PM-956

PUMP AND BATTERY BOX



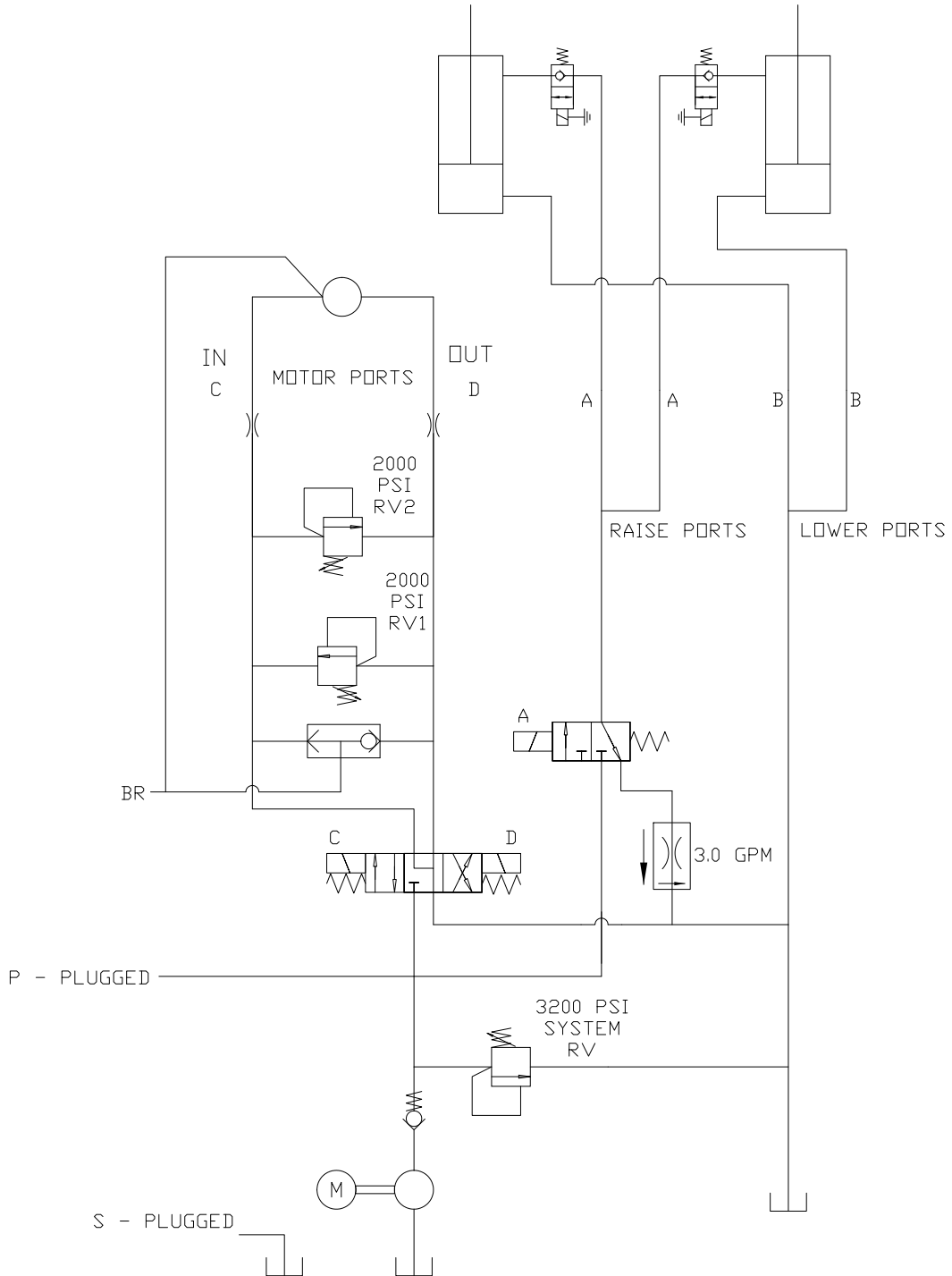
WALTCO
LIFT CORP
GTSL-33/44/55

REVISED: 10/26/16
E.O. 7711B
REV. 01

PM-956

Schematics

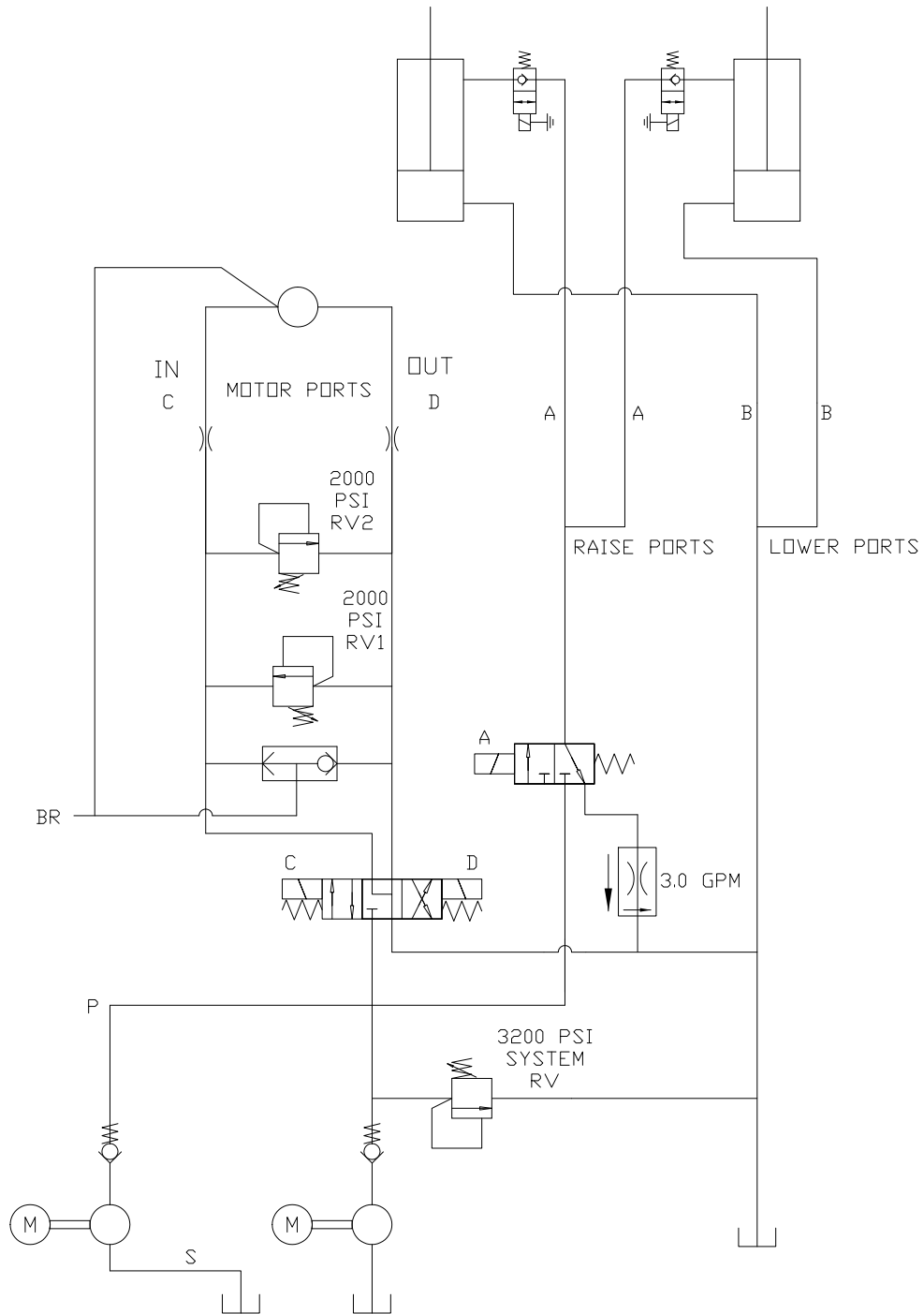
Hydraulic Schematic - Single Pump Gravity Down



GR10031

Schematics

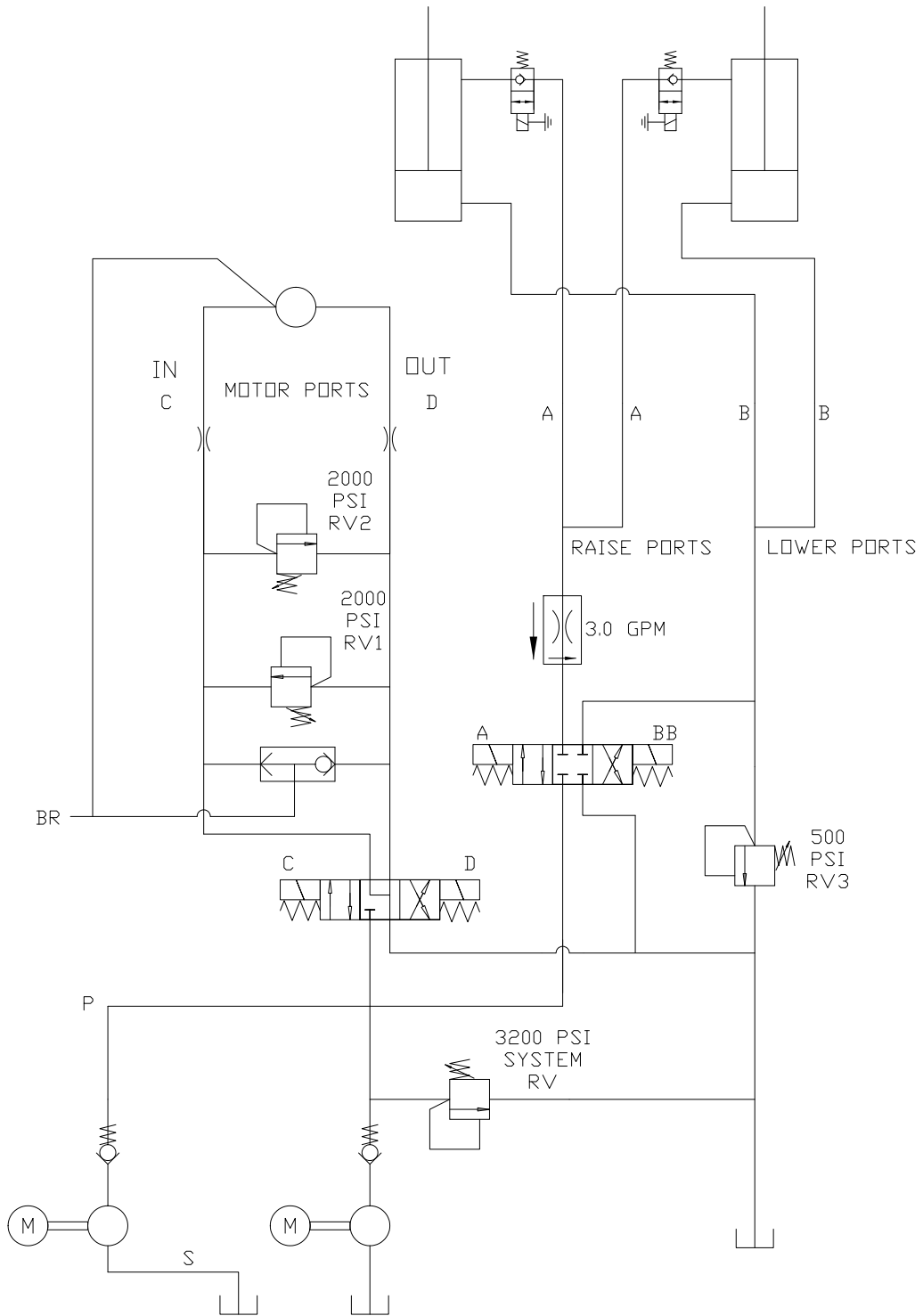
Hydraulic Schematic - Dual Pump Gravity Down



GR10033

Schematics

Hydraulic Schematic - Dual Pump Power Down

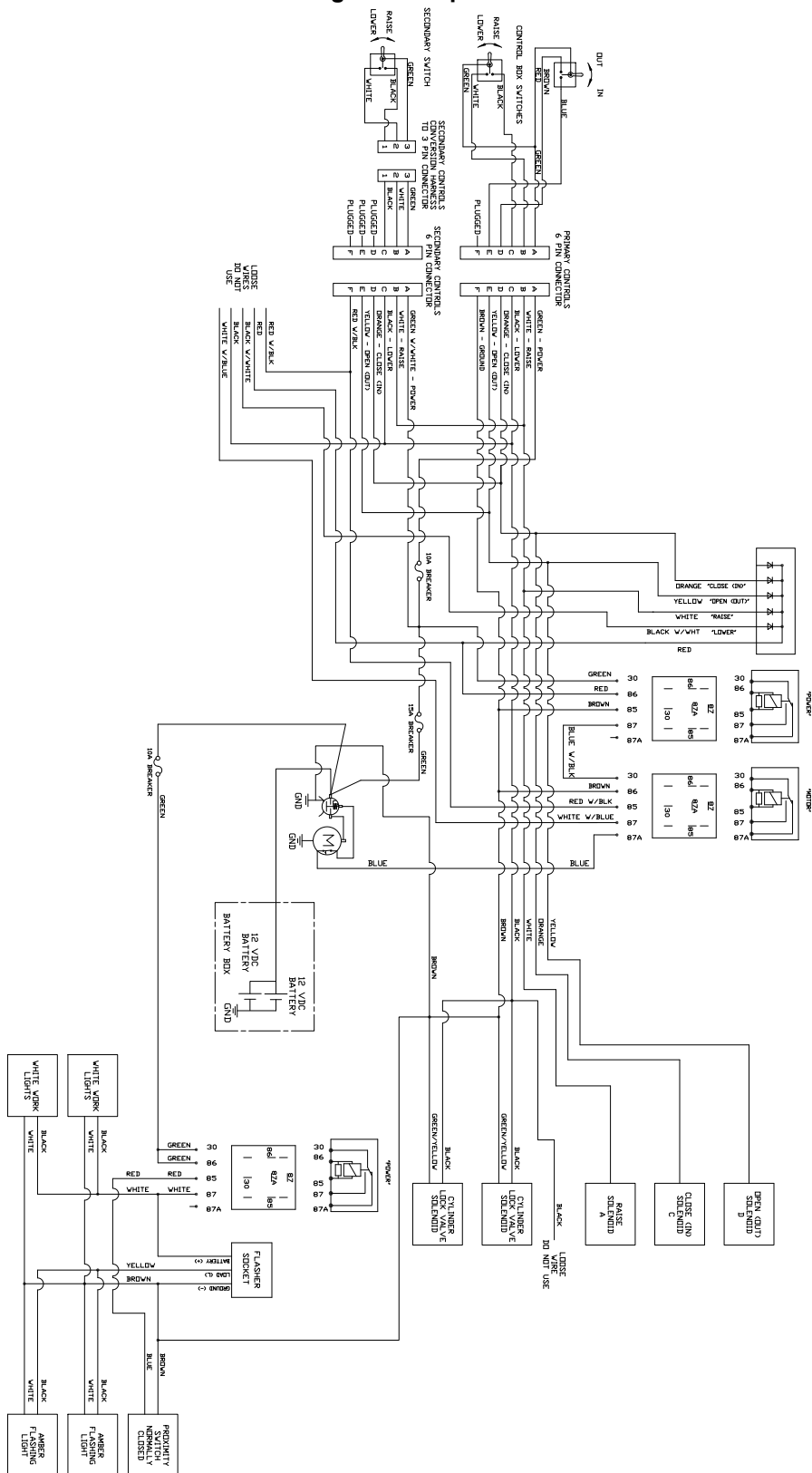


GR10034

Schematics

Electrical Schematic – Single Pump Gravity Down

*Lights are Options

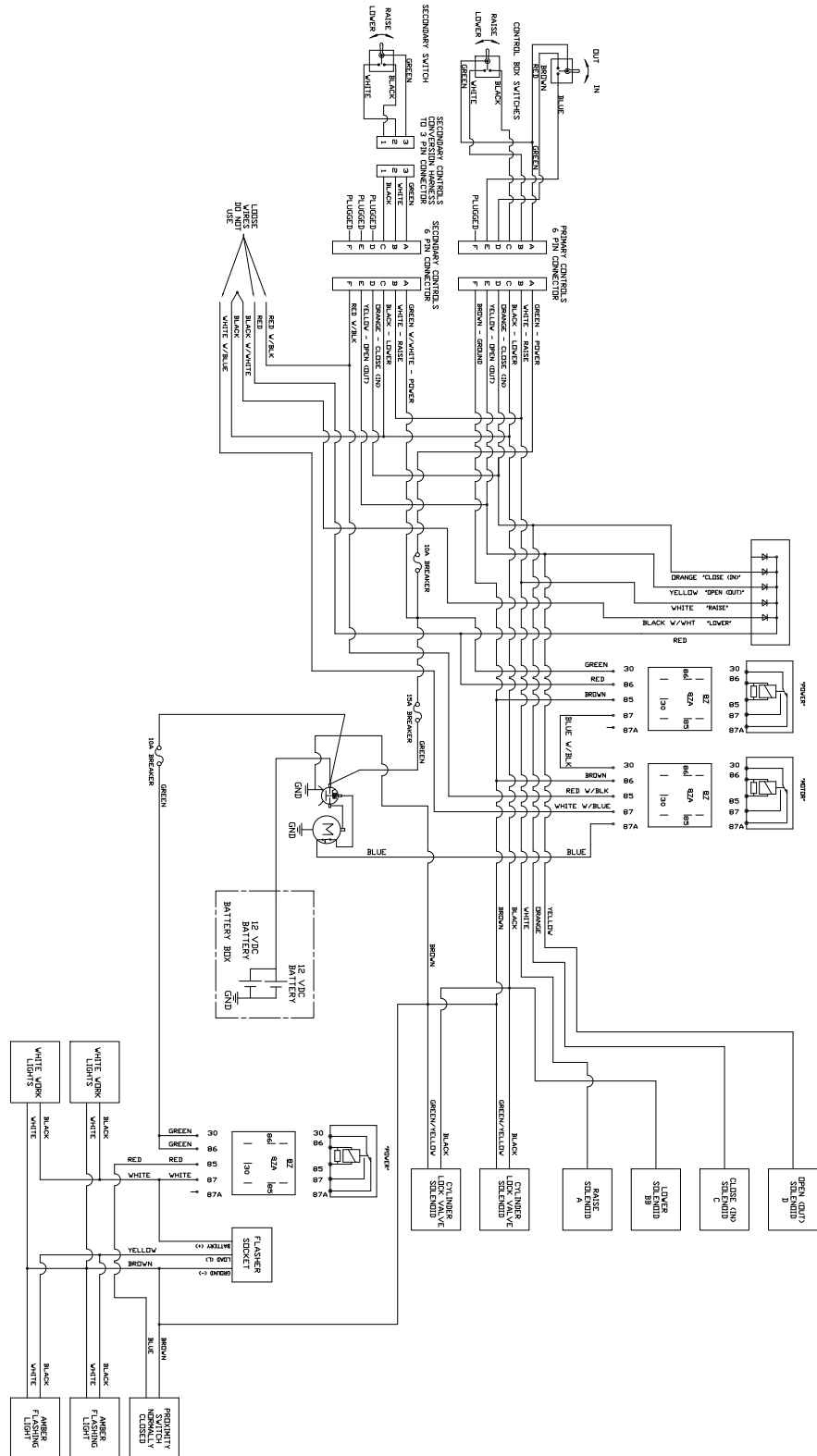


GR10035

Schematics

Electrical Schematic – Single Pump Power Down

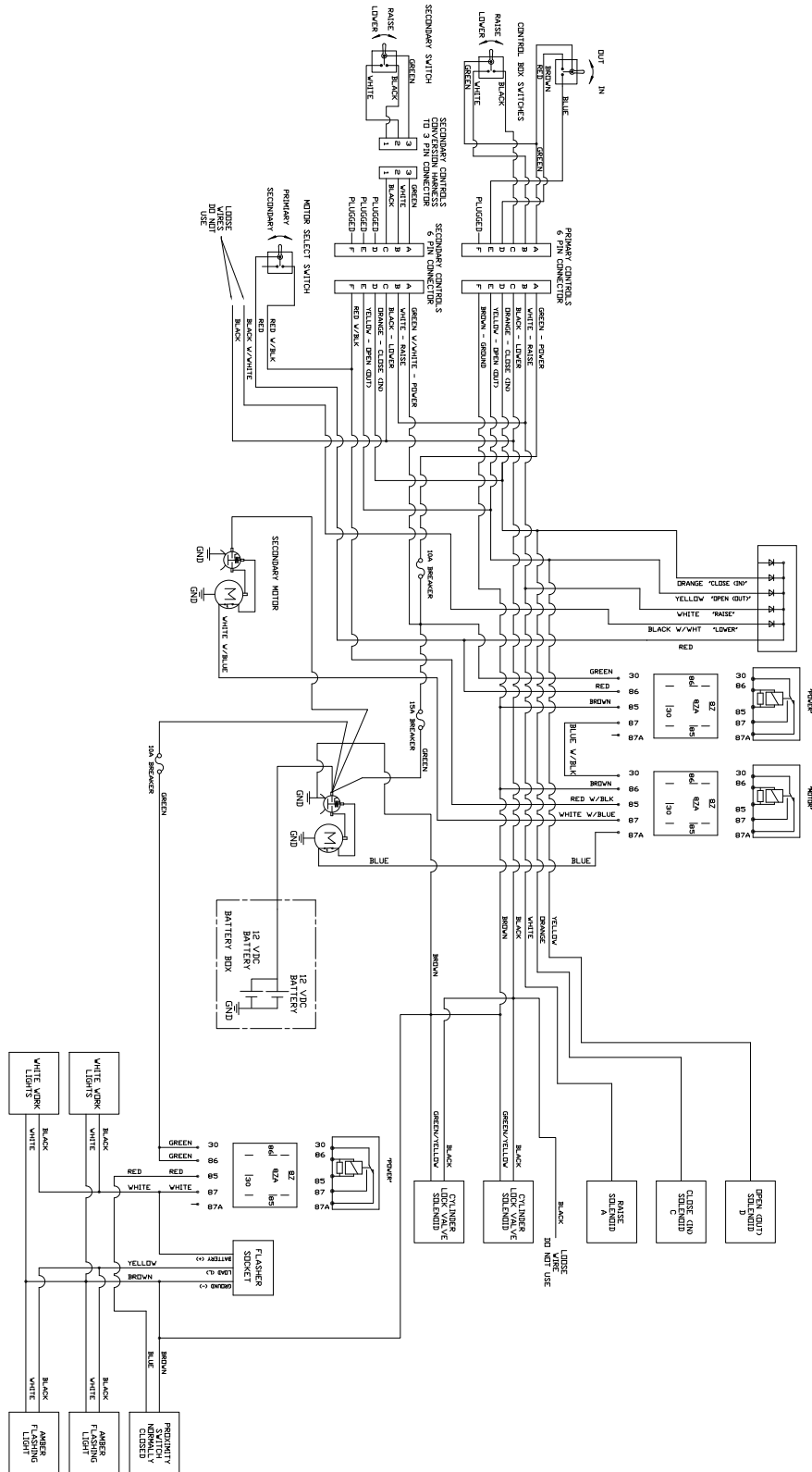
*Lights are Options



Schematics

Electrical Schematic – Dual Pump Gravity Down

*Lights are Options

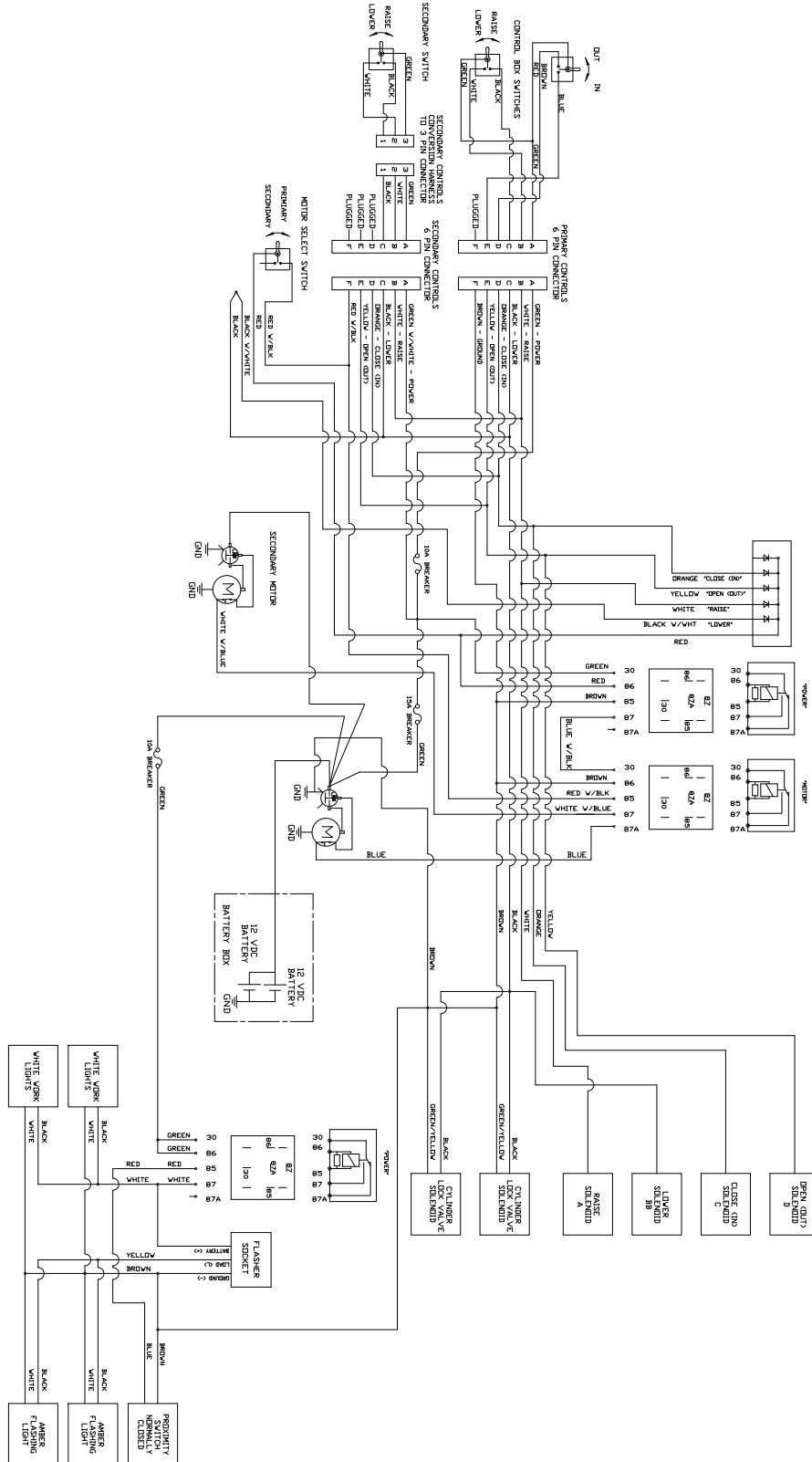


GR10037

Schematics

Electrical Schematic – Dual Pump Power Down

*Lights are Options



GR10038

IMPORTANT

WARNING

Improper operation and maintenance of this liftgate could result in severe personal injury or death.

Read and understand the contents of liftgate Owner's manual and all warning and operation decals before operating and/or performing maintenance on this liftgate.

For SAFETY information on this liftgate see Chapter 1 of Owner's manual