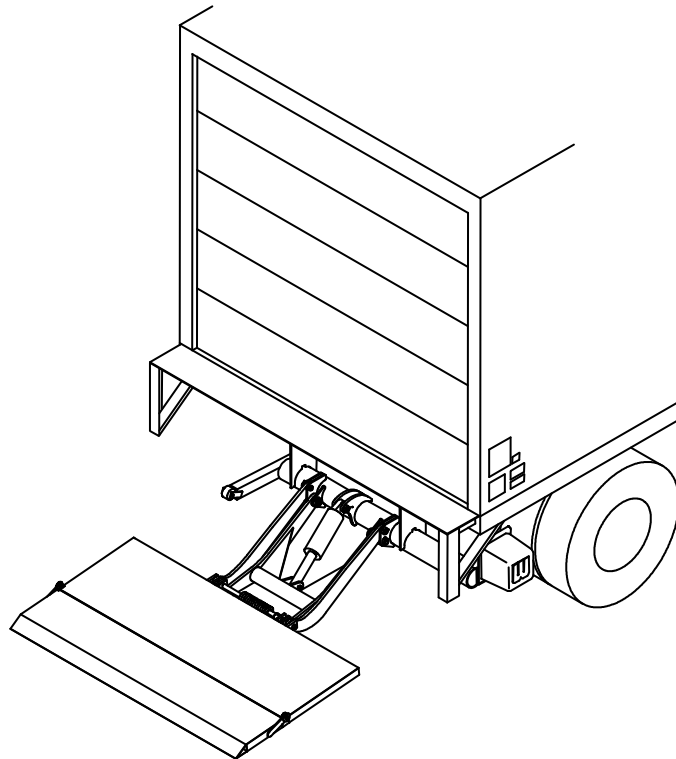


Parts Manual

C15, C20, C25

1600, 2000, 2500 lb. Capacity Flipaway Liftgates



This manual identifies parts for Liftgates manufactured:
3/2011 to Current

Last Change

<i>Date</i>	<i>Page(s)</i>	<i>Description</i>
8-2017	8, 10, 13, 14	P8 & 9 – Revised to add torsion spring P10 – Revised to remove torsion spring P13 & 14 - Revised to remove ground cable

Waltco Lift Corp.
Corporate Office United State
 285 Northeast Ave.
 Tallmadge, OH 44278
 P: 330.633.9191
 F: 330.633.1418

Waltco Lift Corp.
United States
 620 S Hambledon Ave.
 City of Industry, CA 91744
 P: 626.964.0990
 F: 626.964.0149

Waltco Lift Inc.
Canada
 90 North Queen St.
 Etobicoke, ON M8Z 2C5
 P: 888.343.4550

Table of Contents



Improper operation and maintenance of this liftgate could result in severe personal injury or death.

Read and understand the contents of the owner's manual and all warning and operation decals before operating and/or performing maintenance on this liftgate.

INTRODUCTION	3
HOW TO ORDER PARTS	4
MODEL INFORMATION.....	5
DECALS	6
STEEL PLATFORMS, C-15, C-20.....	8
ALUMINUM PLATFORMS, C-15, C-20.....	9
PLATFORMS, C-25	10
MOUNT FRAME ASSEMBLY, C-15, C-20.....	11
MOUNT FRAME ASSEMBLY, C-25	12
BED EXTENSION.....	13
HYDRAULIC LAYOUT, GRAVITY DOWN.....	14
HYDRAULIC LAYOUT, POWER DOWN	15
ELECTRIC CONTROL OPTIONS, GRAVITY DOWN	16
ELECTRIC CONTROL OPTIONS, POWER DOWN	17

Introduction

Each Waltco liftgate is manufactured to stringent quality standards for years of reliable service. To ensure maximum performance of your Waltco liftgate, always specify and use “OEM Parts” from Waltco.

This manual does not provide procedures for the servicing and repair of Waltco liftgates. Service and repair should only be performed by an authorized Waltco distributor. For information on the nearest authorized Waltco distributor contact:

Waltco Lift Corp.

285 Northeast Avenue

Tallmadge, OH 44278

Phone: 800.411.5685

Fax: 800.411.5684

E-mail: parts@waltco.com



The use of non-standard or makeshift parts can be extremely hazardous and result in serious injury or death.



Every vehicle that has a WALTCO Liftgate must have legible WARNING AND OPERATION DECALS clearly posted on the vehicle and an OWNER'S MANUAL in the vehicle at all times as a guide for proper operation and maintenance.

How To Order Parts

Repairs should be made only by authorized mechanics using WALTCO Replacement parts.

When ordering repair or replacement parts, please include all the information asked for below. If this information is not available, a complete written description or sketch of the required part will help WALTCO identify and deliver the needed part to you.

THE FOLLOWING INFORMATION MUST BE INCLUDED:

1. SERIAL NUMBER - [WALTCO liftgate serial numbers can be found on the Specification Tag attached to the mount frame. (On older units the Specification Tag is located on the side or bottom of the platform.)]
2. MODEL NUMBER - [Or capacity]
3. PLATFORM SIZE

THEN INCLUDE THE FOLLOWING INFORMATION:

4. PART NUMBERS
5. DESCRIPTION
6. QUANTITY REQUIRED

MAIL, E-MAIL OR PHONE YOUR REQUEST TO:

Waltco Lift Corp
285 Northeast Avenue
Tallmadge, OH 44278
1-800-411-5685
FAX: 1-800-411-5684
E-MAIL: parts@waltco.com

ALL PARTS ARE F.O.B. FROM THE SHIPPING FACTORY

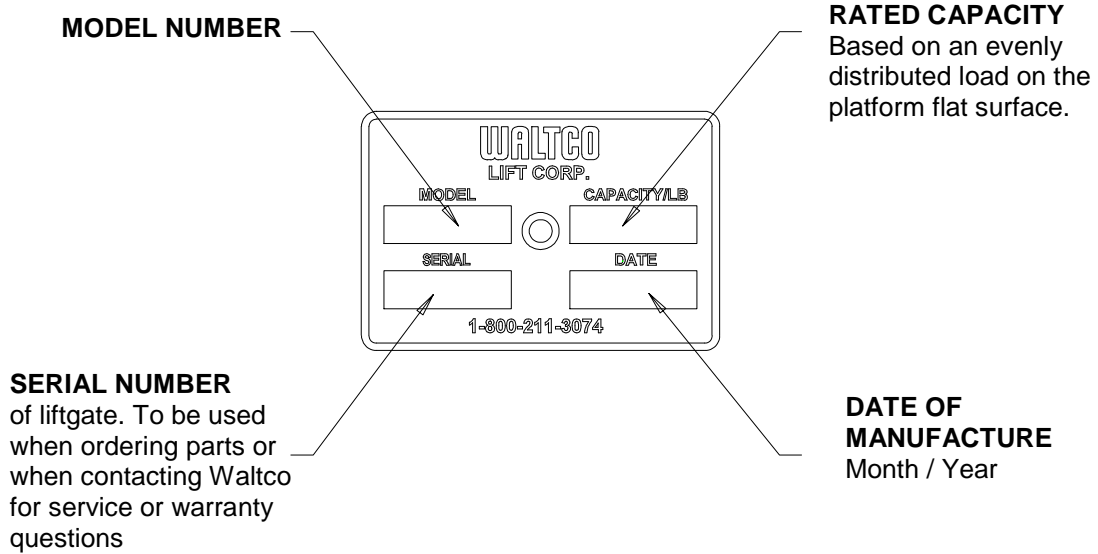
PLEASE NOTE:

To assure you of continuing and effective quality control, our warranty policy permits replacement of hydraulic cylinders, valves and motor pump units when their factory seals are intact. Parts under warranty will be exchanged promptly after careful inspection of the returned assemblies.

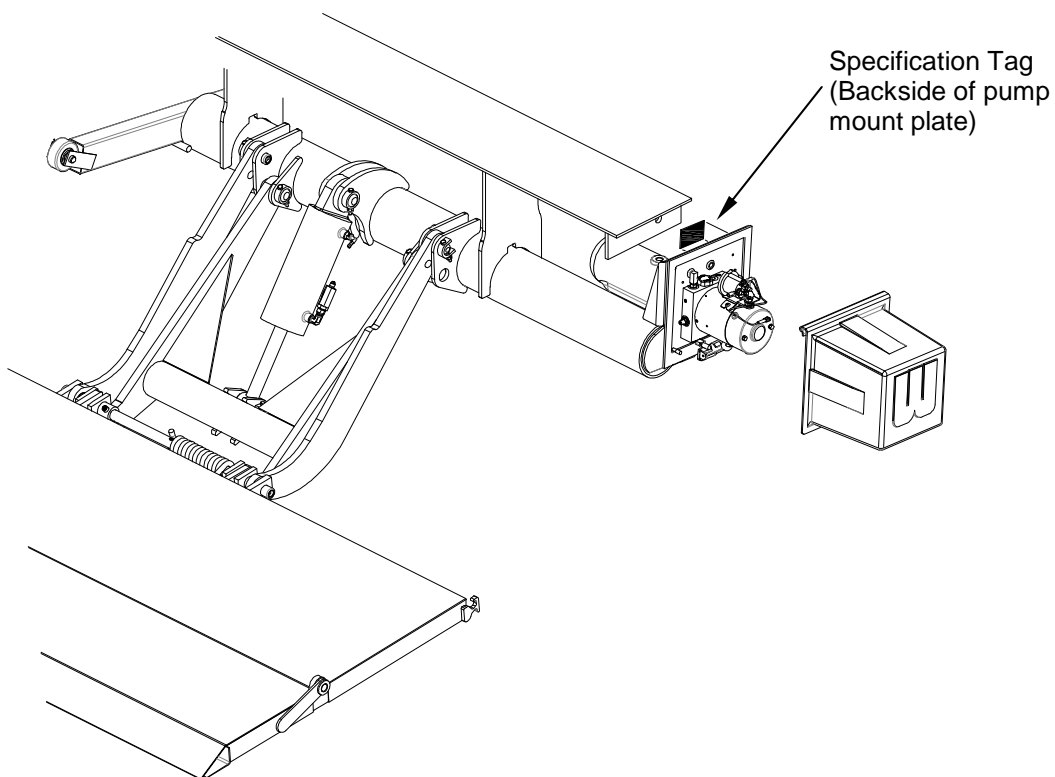
Model Information

Explanation of Specification Tag

Model	Description	Capacity
C15 SB	Standard Bed Height	1600 lbs.
C15 HB	High Bed Height	1600 lbs.
C20 SB	Standard Bed Height	2000 lbs.
C20 HB	High Bed Height	2000 lbs.
C25 HB	High Bed Height (Only)	2500 lbs.



GR00241



GR02558

Decals

To order complete set of C-Series liftgate decals, order kits below:

C-15 = Kit part number 80002126

C-20 = Kit part number 80002127

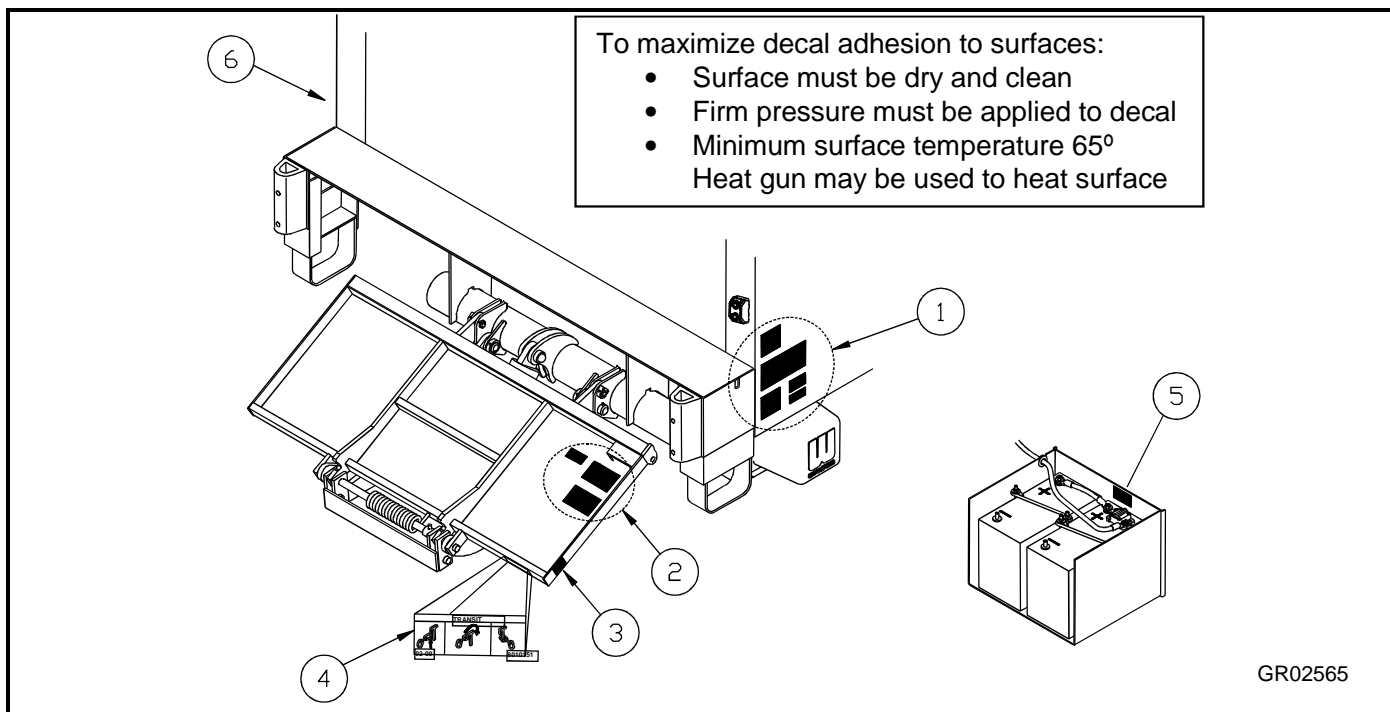
C-25 = Kit part number 80002196

Decals



All decals must be in place and legible or all warranties are void.

ITEM	DECAL	QTY	PART NO.	LOCATION
1	Safety Instructions	1	80100850	Locate in a conspicuous place near controls. If your liftgate is equipped with dual controls, an additional Safety Instruction decal (80100850) is to be placed in a conspicuous place near the second set of controls. Refer to the following diagram showing decal locations.
	Operation	1	80101528	
	Hazard Decal	1	80101370	
	Important Decal	1	80100828	
	Stand Clear Decal	1	75089296	
2	Use Handle Decal	1	75089295	Locate near platform handle (positioned so as to be read when platform is being unfolded into loading position)
	Stand Clear Decal	1	75089296	
	C15 – 1600 lb	1	80100252	
	C20 – 2000 lb		80100253	
C25 – 2500 lb	80100255			
3	C15 – 1600 lb	1	80100252	Locate on side of deck (Same side as controls, position as to be read with platform open)
	C20 – 2000 lb		80100253	
	C25 – 2500 lb		80100255	
4	Store Tight Decal	1	80101517	Locate on back of deck on curb side (Visible when platform is stored)
5	Circuit Breaker Decal	1	80100829	Locate next to liftgate circuit breaker. In applications where more than one circuit breaker is used, this decal must be placed in both locations
6	Stand Clear Decal	1	75089296	Locate on driver's side of vehicle body near liftgate



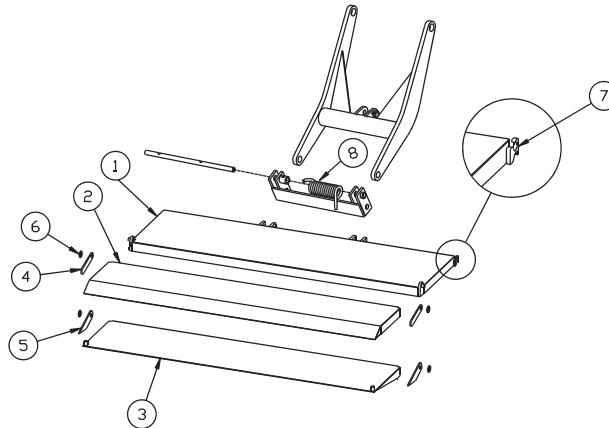
GR02565

ITEM	PART NUMBER	32x72+4 High	32x84+4 High	36x72 Wedge High	36x84 Wedge High	32x72+4 Standard	32x84+4 Standard	36x72 Wedge Standard	36x84 Wedge Standard	DESCRIPTION
	22110112	X								Steel platform, high bed
	22110113		X							Steel platform, high bed
	22110114			X						Steel platform, high bed
	22110115				X					Steel platform, high bed
	22110116					X				Steel platform, standard bed
	22110117						X			Steel platform, standard bed
	22110118							X		Steel platform, standard bed
	22110119								X	Steel platform, standard bed
1	22110131	1	-	1	-	-	-	-	-	Steel Deck (72 Wide)
	22110134	-	1	-	1	-	-	-	-	Steel Deck (84 Wide)
	22110135	-	-	-	-	1	-	1	-	Steel Deck (72 Wide)
	22110136	-	-	-	-	-	1	-	1	Steel Deck (84 Wide)
2	22113172	1	-	-	-	-	-	-	-	Steel Deck Ext (72 Wide)
	22113184	-	1	-	-	-	-	-	-	Steel Deck Ext (84 Wide)
	22113177	-	-	-	-	1	-	-	-	Steel Deck Ext (72 Wide)
	22113188	-	-	-	-	-	1	-	-	Steel Deck Ext (84 Wide)
3	22113032	-	-	1	-	-	-	-	-	Steel Deck Ext (72 Wedge)
	22113044	-	-	-	1	-	-	-	-	Steel Deck Ext (84 Wedge)
	22113059	-	-	-	-	-	-	1	-	Steel Deck Ext (72 Wedge)
	22113068	-	-	-	-	-	-	-	1	Steel Deck Ext (84 Wedge)
4	30155200	2	2	2	2	2	2	2	Hinge Bar (Ramp Ext)	
5	22113700	2	2	2	2	2	2	2	Hinge Bar (Wedge Ext)	
6	75088066	2	2	2	2	2	2	2	Flat Washer, 1/2"	
7	22130700	1	1	1	1	1	1	1	1	Transt Chain Lug
8	22114300	1	1	1	-	1	1	1	-	Spring (Red Tip)
	21514301	-	-	-	1	-	-	-	1	Spring (green Tip)

WALTCO LIFT CORP.
C-15 / C-20

REVISED: 07-2016
E.O. 10289 REV 06
PM-876A

STEEL PLATFORM ASSEMBLY



WALTCO LIFT CORP.
C-15 / C-20

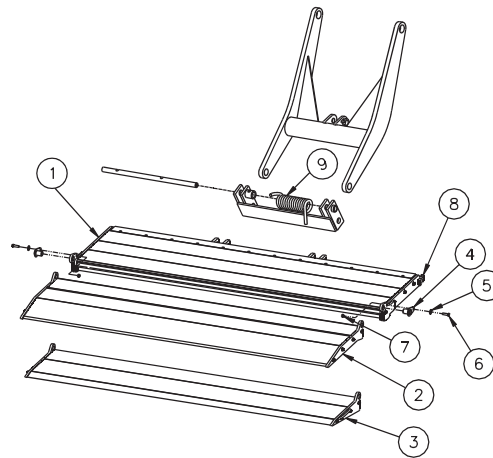
REVISED: 07-2016
E.O. 10289 REV 06
PM-876A

ITEM	PART NUMBER	32x72+4	32x84+4	36x72 Wedge	36x84 Wedge	32x72+4 Galv	32x84+4 Galv	36x72 Wedge Galv	36x84 Wedge Galv	DESCRIPTION
	22210022	X								Aluminum Platform
	22210022GV					X				Aluminum Platform, Galv
	22210023		X							Aluminum Platform
	22210023GV						X			Aluminum Platform, Galv
	22210026			X						Aluminum Platform
	22210026GV							X		Aluminum Platform, Galv
	22210027				X					Aluminum Platform
	22210027GV								X	Aluminum Platform, Galv
1	22211022	1	-	1	-	-	-	-	-	Alum Deck (72 Wide)
	22211022GV	-	-	-	-	1	-	1	-	Alum Deck (84 Wide)
	22211023	-	1	-	1	-	-	-	-	Alum Deck (72 Wide)
	22211023GV	-	-	-	-	-	1	-	1	Alum Deck (84 Wide)
2	22213022GV	1	-	-	-	1	-	-	-	Alum Deck Ext (72 Wide)
	22213023GV	-	1	-	-	-	1	-	-	Alum Deck Ext (84 Wide)
	22213026GV	-	-	1	-	-	-	1	-	Alum Deck Ext (72 Wedge)
3	22213027GV	-	-	-	1	-	-	-	1	Alum Deck Ext (84 Wedge)
	1090101-6	2	2	2	2	2	2	2	2	Pin Assembly
5	7508053	2	2	2	2	2	2	2	2	Flat Washer 1/2"
6	7508218	2	2	2	2	2	2	2	2	Hex Nut, 3/8-16x1 1/2" Grade 5
7	75085188	2	2	2	2	2	2	2	2	Locknut, 3/8-16
8	22130700	1	1	1	1	1	1	1	1	Transit Chain Lug
9	22114300	1	1	1	-	1	1	1	-	Spring (Red Tip)
	21514301	-	-	-	1	-	-	-	1	Spring (green Tip)

WALTCO LIFT CORP.
C-15 / C-20

REVISED: 07-2016
E.O. 10289 REV 06
PM-876B

ALUMINUM PLATFORM ASSEMBLY



WALTCO LIFT CORP.
C-15 / C-20

REVISED: 07-2016
E.O. 10289 REV 06
PM-876B

ITEM	PART NUMBER	QTY	DESCRIPTION
1	22111091	1	Steel Deck (72 Wide) High Bed
2	22113177	1	Steel Deck Ext (72 Wide) High Bed
3	22113096	1	St'l Deck Ext (72 Wedge) High Bed
4	22130700	1	Transit Chain Lug
5	22113700	2	Hinge Bar
6	75088066	2	Flat Washer, 3/4"
7	22211024	1	Alum Deck (72 Wide)
	22211024GV		Alum Galv Deck (72 Wide)
8	22213022GV	1	Alum Deck Ext (72 Wide)
9	22213028GV	1	Alum Deck Ext (72 Wedge)
10	1000101-6	2	Pin Assembly
11	75088053	2	Flat Washer, 3/8"
12	7508618	2	Hex Bolt, 3/8-16x1 1/4 Grade 8
13	75085188	2	Locknut, 3/8-16 (centerlock)

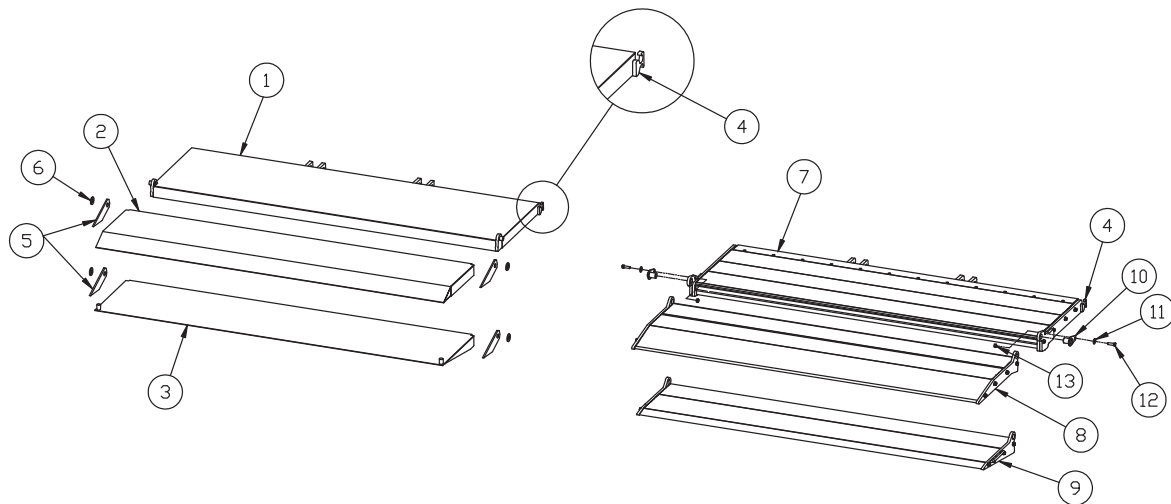
PLATFORM ASSEMBLIES COMPLETE		
STEEL PLATFORMS		
22110191	Platform, 36 x 72 + 4	High Bed
22110196	Platform, 40 x 72 Wedge	High Bed
ALUMINUM PLATFORMS		
22210033	Platform, 36 x 72 + 4	
22210033GV	Platform, 36 x 72 + 4 Galvanized	
22210032	Platform, 40 x 72 Wedge	
22210032GV	Platform, 40 x 72 Wedge Galvanized	

WALTCO LIFT CORP.
C-25

REVISED: 5-9-14
E.O. 7466
REV. 02

PM-878

C-25 PLATFORMS



WALTCO LIFT CORP.
C-25

REVISED: 5-9-14
E.O. 7466
REV. 02

PM-878

ITEM	PART NUMBER	QTY	DESCRIPTION
1	22220010	1	Mount Frame
	22220010GV		Mount Frame, Galvanized
2	25170100	2	Mount Plate
	22220500		Mount Plate Bolt-On Galvanized
3	22155200	2	Parallel Arm (32" CC) Steel Platforms
	22155201		Parallel Arm (32" CC) Alum Platforms
	22155201GV		Parallel Arm (32" CC) Galvanized
	22255200		Parallel Arm (29" CC)
	22255201		Parallel Arm (29" CC) Alum Platforms
	22255201GV		Parallel Arm (29" CC) Galvanized
4	22230020	1	Lift Arm (32" CC)
	22230020GV		Lift Arm (32" CC) Galvanized
	22230070		Lift Arm (29" CC)
	22230070GV		Lift Arm (29" CC) Galvanized
5	22152000	1	Hinge Assembly (Half Dip)
	22152000GV		Hinge Assembly (Half Dip) Galvanized
	22153000		Hinge Assembly (Wedge)
	22153000GV		Hinge Assembly (Wedge) Galvanized
	22154000		Hinge Assembly (Level Ride)
	22154000GV		Hinge Assembly (Level Ride) Galvanized
6	26292000	1	Parting Bar
	26292000GV		Parting Bar Galvanized
7	75088051	3	Washer, 1/4"
8	75085003	1	Hex Nut, 5/16, Serrated
9	75088052	1	Washer, 5/16 SAE
10	70401409	1	Grommet for 1/4" hose stem fitting
11	70401408	1 or 2	Grommet for 7/16" JIC fitting
12	27391301	1	Pump Cover Latch
-	22114300 or 21514301	-	Torsion Spring (See Platform Assembly)
13	22170411 ^D	3	Pin (Non-Greaseable)
	22170400 ^{A,C}		Pin (Greaseable)
14	22170413 ^D	4	Pin (Non-Greaseable)
	22270500 ^A		Pin (Greaseable)
15	10090450	1	Pump Cover

ITEM	PART NUMBER	QTY	DESCRIPTION
16	22170412 ^{A,D}	1	Lower Cylinder Pin
17	22170103 ^D	1	Lower Parallel Arm Pin (Non-Greaseable)
	22170100 ^A		Lower Parallel Arm Pin (Greaseable)
18	10090460	1	Gasket, Pump Cover
18	10010169 ^B	1	Bearing, 1-1/4" I. D. x 1" lg.
20	10010142 ^B	4	Bearing, 1" I. D. 3/4" lg.
21	10010171 ^B	1	Bearing, 7/8" I. D. x 1-3/4" lg.
22	10010163 ^B	2	Bearing, 1-1/4" I. D. x 7/8" lg.
23	10010141 ^B	2	Bearing, 1" I. D. x 7/8" lg.
24	75089334	1	Grommet, for Battery Cable
25	75090310	1	Grommet, for Control Cord
26	75089542 ^{A,B}	2	Roll Pin, 1/2" x 2" lg.
27	75086215 ^{A,B,C}	8	1/4-20 x 2-1/2" lg. Bolt
28	75085175 ^{A,B,C}	8	1/4-20 Self-locking Nut
29	7500010-21	3	1/4"-20 x 1" lg. Bolt
30	75088079	3	1/4" Lock Washer
31	22297001GV	1	Hardware Kit for Galvanized Liftgates (Nuts and bolts for bolting mount plates, parting bar and bed extension)

^A Included in Greaseable Pin Replacement Kit 80000737

^B Included in Bearing Replacement Kit 80000733

^C Included in Cylinder Replacement Kits 80000937 and 80000938

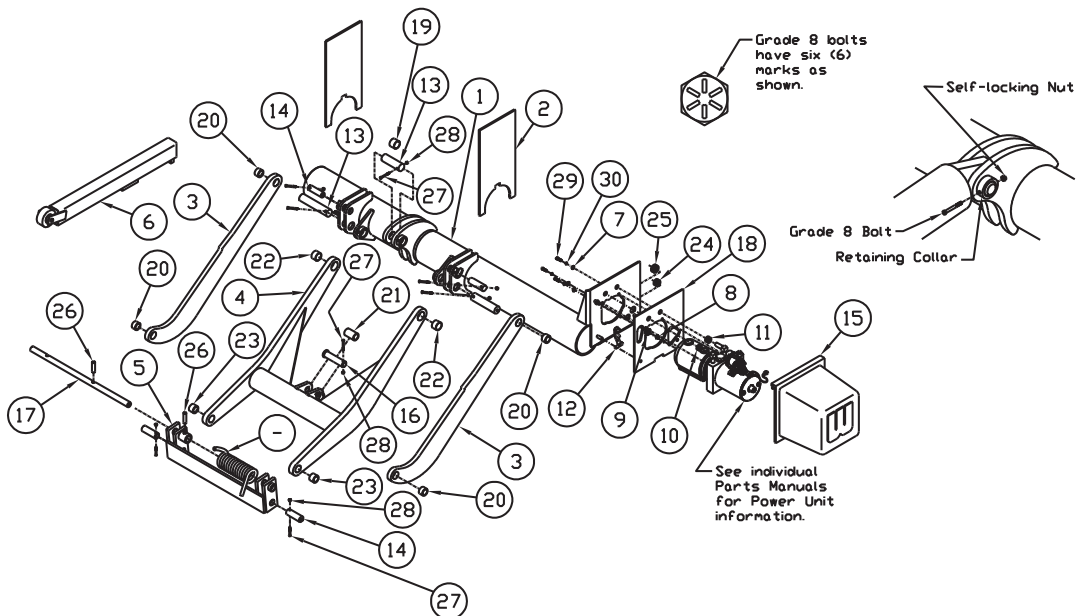
^D Included in Non-Greaseable Pin Replacement Kit 80001415

WALTCO LIFT CORP.
C-15 / C-20

REVISED: 07-2017
E.O. 10289
REV. 03

PM-517D

C-15 / C-20 MOUNT FRAME ASSEMBLY



IMPORTANT:

Grade 8 bolt to be installed through retaining collar and lower cylinder pin. Make certain that lock nut is screwed fully onto bolt until threads bottom out on bolt shank.

WALTCO LIFT CORP.
C-15 / C-20

REVISED: 07-2017
E.O. 10289
REV. 03

PM-517D

ITEM	PART NUMBER	QTY	DESCRIPTION
1	22220010	1	Mount Frame
	22220010GV		Mount Frame, Galvanized
2	25170100	2	Mount Plate
	22220500		Mount Plate Bolt-On Galvanized
3	22155300	2	Parallel Arm (32" CC) Steel Platforms
	22155301		Parallel Arm (32" CC) Alum Platforms
	22155301GV		Parallel Arm (32" CC) Galvanized
4	22230030	1	Lift Arm (32" CC)
	22230030GV		Lift Arm (32" CC) Galvanized
5	22152090	1	Hinge Assembly (Half Dip)
	22152090GV		Hinge Assembly (Half Dip) Galvanized
	22153090		Hinge Assembly (Wedge)
	22153090GV		Hinge Assembly (Wedge) Galvanized
	22154090		Hinge Assembly (Level Ride)
	22154090GV		Hinge Assembly (Level Ride) Galvanized
6	26292000	1	Parting Bar
	26292000GV		Parting Bar Galvanized
7	75088051	3	Washer, 1/4"
8	75085003	1	Hex Nut, 5/16, Serrated
9	75088052	1	Washer, 5/16 SAE
10	70401409	1	Grommet for 1/4" hose stem fitting
11	70401408	1 or 2	Grommet for 7/16" JIC fitting
12	27391301	1	Pump Cover Latch
13	22114300	1	Torsion Spring
14	22170411 ^D	3	Pin (Non-Greaseable)
	22170400 ^{A,C}		Pin (Greaseable)
15	22170413 ^D	4	Pin (Non-Greaseable)
	22270500 ^A		Pin (Greaseable)
16	10090450	1	Pump Cover
17	22170412 ^{A,C}	1	Lower Cylinder Pin
18	22170103 ^D	1	Lower Parallel Arm Pin (Non-Greaseable)
	22170100 ^A		Lower Parallel Arm Pin (Greaseable)
19	10090460	1	Gasket, Pump Cover
20	10010169 ^B	1	Bearing, 1-1/4" I. D. x 1" lg.
21	10010142 ^B	4	Bearing, 1" I. D. 3/4" lg.

ITEM	PART NUMBER	QTY	DESCRIPTION
22	10010171 ^B	1	Bearing, 7/8" I. D. x 1-3/4" lg.
23	10010163 ^B	2	Bearing, 1-1/4" I. D. x 7/8" lg.
24	10010141 ^B	2	Bearing, 1" I. D. x 7/8" lg.
25	75089334	1	Grommet, for Battery Cable
26	75090310	1	Grommet, for Control Cord
27	75089542 ^{A,B}	2	Roll Pin, 1/2" x 2" lg.
28	75086215 ^{A,B,C}	8	1/4-20 x 2-1/2" lg. Bolt
29	75085175 ^{A,B,C}	8	1/4-20 Self-locking Nut
30	7500010-21	3	1/4"-20 x 1" lg. Bolt
31	75088079	3	1/4" Lock Washer
32	22297001GV	1	Hardware Kit for Galvanized Liftgates (Nuts and bolts for bolting mount plates, parting bar and bed extension)

^A Included in Greaseable Pin Replacement Kit 80000737

^B Included in Bearing Replacement Kit 80000733

^C Included in Cylinder Replacement Kits 80000937 and 80000938

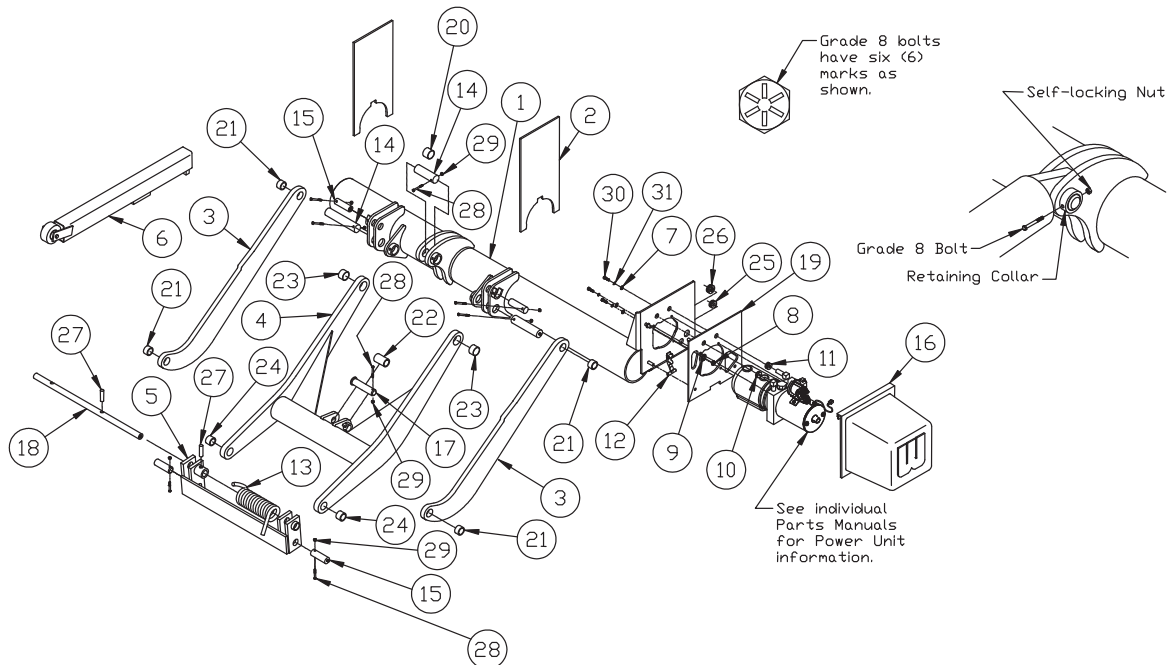
^D Included in Non-Greaseable Pin Replacement Kit 80001415

WALTCO LIFT CORP.
C-25

REVISED: 5-9-14
E.O. 7466
REV. 02

PM-840A

C-25 MOUNT FRAME ASSEMBLY



IMPORTANT:

Grade 8 bolt to be installed through retaining collar and lower cylinder pin. Make certain that lock nut is screwed fully onto bolt until threads bottom out on bolt shank.

WALTCO LIFT CORP.
C-25

REVISED: 5-9-14
E.O. 7466
REV. 02

PM-840A

ITEM	PART NUMBER	QTY	DESCRIPTION
1	26360003 ^A	1	Bed Extension – 96"
	22260001GV ^G		Bed Ext – 96", Galvanized – Bolt-On
	26360004 ^A		Bed Extension – 102"
	22260002GV ^G		Bed Ext – 102", Galvanized – Bolt-On
2	22598100	1	Transit Chain
3	75086218	1	Hex Bolt, 3/8"-16 x 1-1/4" long, Grade 8
4	75088053	1	Washer, 3/8", x 1" O.D.
5	75085193	1	FlexLoc Nut, 3/8-16
6			
7			
8			
9	26266001	2	Bed Extension Gauge/Gusset
10			
11	26297102 ^B	2	Dock Bumper Angle
12	26298003 ^B	2	Support Channel
13	26298004 ^B	2	Support Bar
14	26298050 ^C	1	Super Duty Dock Bumper (Driver's Side)
	26498003GV ^G		Dock Bumper, Galvanized w/ Rubber CS
15	26298010 ^C	1	Super Duty Dock Bumper (Curb Side)
	26498053GV ^G		Dock Bumper, Galvanized w/ Rubber DS
16	22597051 ^{D E}	1	Super Duty Dock Bumper w/lights (D.S.)
17	22597001 ^{D E}	1	Super Duty Dock Bumper w/lights (C.S.)
18	26297600 ^{F H}	2	Rubber Bumper
19	75088057 ^{F H}	8	Washer, 5/8"
20			
21	75086155 ^{F H}	4	Hex Bolt, 5/8"-11 x 2" lg.
22			
23	75088085 ^{F H}	4	Lock Washer, 5/8"
24			
25			
26	75085012 ^F	4	Hex Nut, 5/8"-11
27	75089374 ^D	2	Taillight Backup (Tractors only) (Clear)
28	75089373 ^{DE}	2	Taillight S, T & T (Trailers only) (Red)
	75089373 ^{DE}		Taillight S, T & T (Red)
29	22575200 ^{DE}	2	Harness, 2 Lamp

ITEM	PART NUMBER	QTY	DESCRIPTION
30	75089376 ^{DE}	4	Light Grommet
31	75085000 ^{DE}	8	Hex Nut, #10-32
32	75086732 ^{DE}	8	Machine Screw, #10-32 x 1" lg.
33	22597102 ^{DE}	4	Taillight Bracket

^A Kit, 80001088, Bed Extension Install, is required for mounting bed extensions

^B Heavy Duty dock Bumper Kit 26296003

^C Super Duty dock Bumper Kit 26296004 (without lights)

^D Super Duty dock Bumper Kit With (4) Lights 22596001 (Truck)

^E Super Duty dock Bumper Kit With (4) Lights 22596003 (Trailer)

^F Rubber Bumper Kit 26297003 (For Heavy Duty Dock Bumper Kit)

^G Kit, 22297001GV, Hardware, is required for mounting galvanized bed extension and dock bumpers

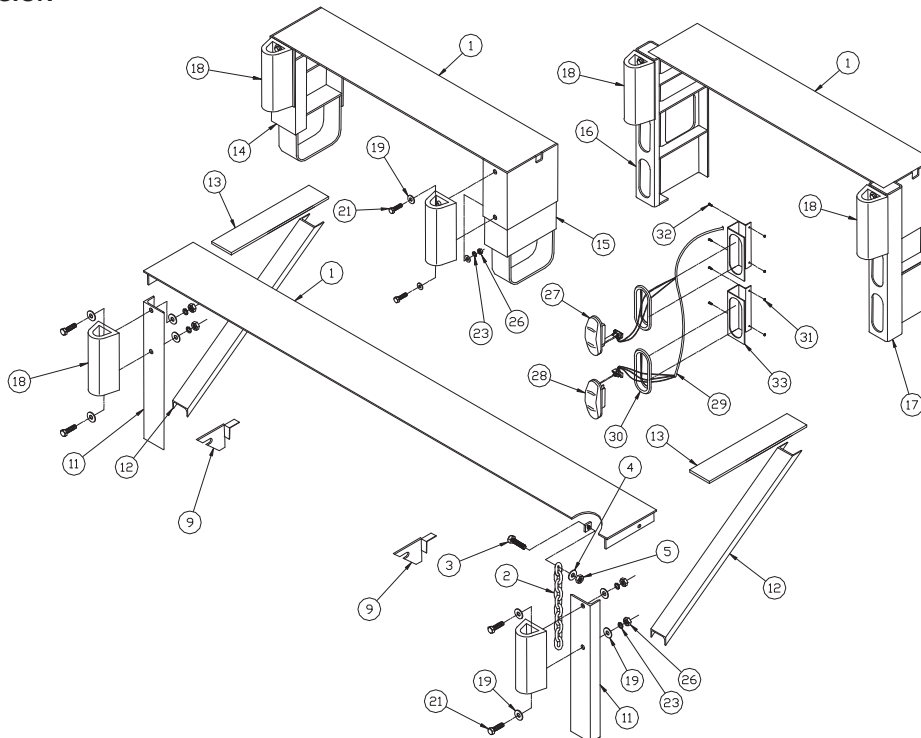
^H Rubber Bumper Kit 22596011 (For Super Duty Dock Bumper Kit With Lights)

WALTCO LIFT CORP.
C-Series

REVISED: 2-1-16
E.O. 7797
REV. 04

PM-777

BED EXTENSION



WALTCO LIFT CORP.
C-Series

REVISED: 2-1-16
E.O. 7797
REV. 04

PM-777

ITEM	PART NUMBER	QTY	DESCRIPTION
1	70430550	1	Pump Unit, w/Thermal Switch Prior to 5-2013 - optional after 5-2013 Standard after 1-2016
	70430555		Pump Unit, Non-Thermal Switch Standard between 5-2013 and 1-2016
	70430700		Pump Unit, 24 Volt w/Thermal Switch
A	70400001 ^A	1	Hydraulic Reservoir
B	70400004 ^A	1	Breather
C	70092312 ^A	1	Motor, Non-Thermal Switch
	7043001-1 ^A		Motor, w/Thermal Switch
	70430706 ^A		Motor, 24 Volt , w/Thermal Switch
D	75089833 ^A	1	Starter Solenoid
	70430707 ^A		Starter Solenoid, 24 Volt
E	70092503 ^A	1	Valve Assembly, 2-way, 2 position w/ Coil
	70430709 ^A		Valve Assembly, 24 Volt w/ Coil
G	75089854 ^A	1	15 amp Fuse
H	10099309 ^A	1	Inline Fuse Assembly (Includes Fuse 75089854)
J	75089834 ^A	1	Bus Bar
	70430711 ^A		Bus Bar for 24 Volt pumps
K	70402303 ^A	1	Coil, 10V, 25A
	70430708		Coil, 18V, for 24 Volt pumps
L	70401435 ^A	1	Elbow, Pressure
M	70401430 ^A	1	Elbow, Return
N	75082023 ^B	1	Adapter (70430555 only)
P	70091291 ^A	1	Steel Plug
2	75083201	1	Hose Assy, 1/4" I.D. x 1/4" JIC
3	7500101-1	1	90° Elbow, 1/4" M NPT x 9/16" FM JIC for units with Pressure Compensated Flow Valve, After 10-2009
	75083210		90° Elbow, 1/4" NPT x 1/4" JIC for units without Pressure Compensated Flow Valve Before 10-2009
4	22180010	1	Hydraulic Cylinder (C-15)
	22280010		Hydraulic Cylinder (C-20)

ITEM	PART NUMBER	QTY	DESCRIPTION
5	75082745	1	Barbed Fitting, 1/4" NPTF x 1/4" 90°
6	26299500	1	Hose, 1/4" I.D.
7	70401408	1	7/16" I.D. Grommet
8	70401409	1	1/4" I.D. Grommet
9			
10	7010001-12	1	Pressure Compensative Flow Valve

^A Included w/Pump Assemblies if applicable.
^B Only used w/Non-Thermal Switch Pump Units.

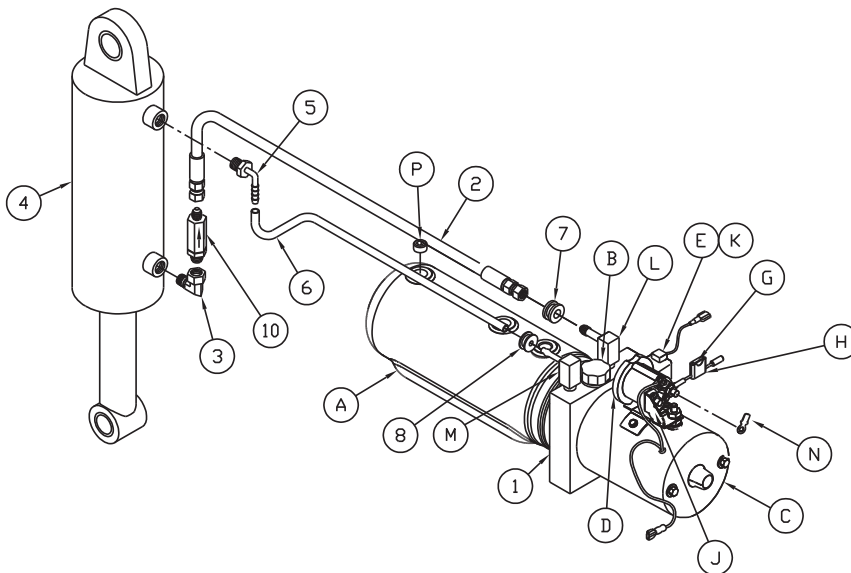
Warning:
70430555, 70430550 and 70430700 Pumps do not have a flow control valves, liftgate must be equipped with a Pressure Compensated Flow Control Valve as shown.

WALTCO LIFT CORP.
C-Series

REVISED: 08-2017
E.O. 10289
REV. 08

PM-621A

HYDRAULIC LAYOUT, GRAVITY DOWN



WALTCO LIFT CORP.
C-Series

REVISED: 08-2017
E.O. 10289
REV. 08

PM-621A

ITEM	PART NUMBER	QTY	DESCRIPTION
1	70430560	1	Hydraulic Pump, PD, w/Thermal Switch Prior to 5-2013 - Optional after 5-2013 Standard after 1-2016
	70430565		Hydraulic Pump, PD, Non-Thermal Switch Standard between 5-2013 and 1-2016
A	70400001 ^A	1	Hydraulic Reservoir
B	70400004 ^A	1	Breather
C	70092312 ^A	1	Motor, Non-Thermal Switch
	7043001-1 ^A		Motor w/Thermal Switch
D	75089833 ^A	2	Starter Solenoid
E	70092503 ^A	1	Valve Assembly, 2-way, 2 position w/ Coil
F	70400014 ^A	1	Valve assembly, 4-way, 2 position w/ Coil
G	70091291 ^A	1	Steel Plug
H	75089854 ^A	1	15 amp Fuse
J	10099313 ^A	1	Inline Fuse Assembly (Includes Fuse 75089854)
K	75089834 ^A	1	Bus Bar
L	70402303 ^A	1	Coil, 10V, 25A
M	70401435 ^A	2	Elbow, Pressure
N	70091778 ^A	2	Solenoid Cable
P	75082023 ^B	1	Adapter
2	75083201	2	Hose Assembly, 1/4" I.D. x 1/4 JIC, 57"
3	7500101-1	1	90° Elbow, 1/4" M NPT x 9/16" FM JIC
4	22280010	1	Hydraulic Cylinder (C-20)
5	75083210	1	90° Elbow, 1/4" M NPT x 7/16" M JIC
6	7010001-12	1	Pressure Compensative Flow Valve (C-20)

- ^A Included w/Pump Assemblies if applicable.
^B Only used w/Non-Thermal Switch Pump Units.

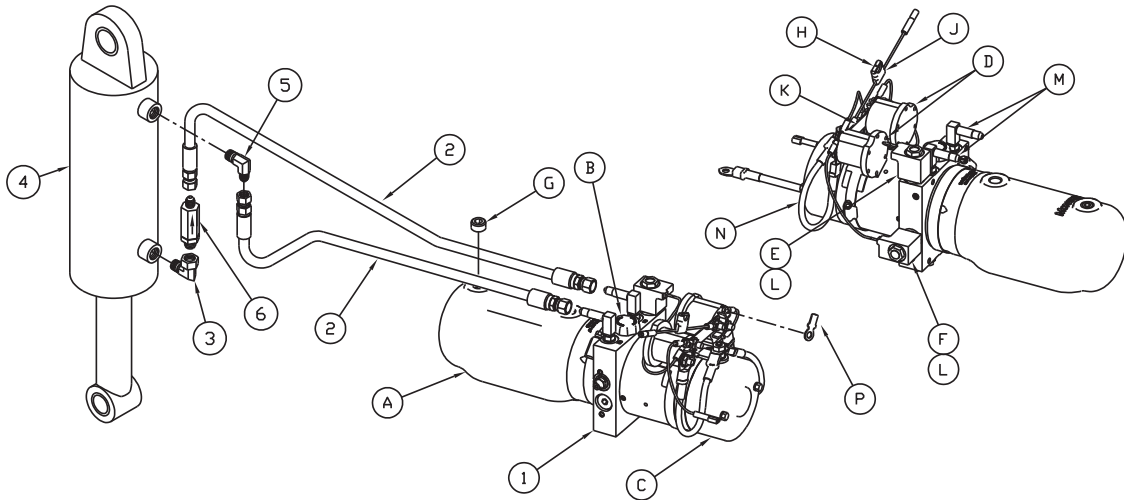
Warning:
70430565 and 70430560 Pumps do not have a flow control valves, liftgate must be equipped with a Pressure Compensated Flow Control Valve as shown.

WALTCO LIFT CORP
C- SERIES

REVISED: 08-2017
E.O. 10289
REV. 08

PM-622A

HYDRAULIC LAYOUT, POWER DOWN



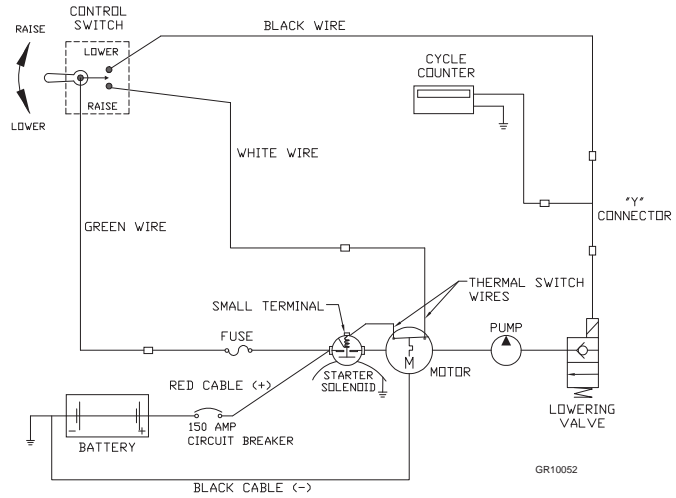
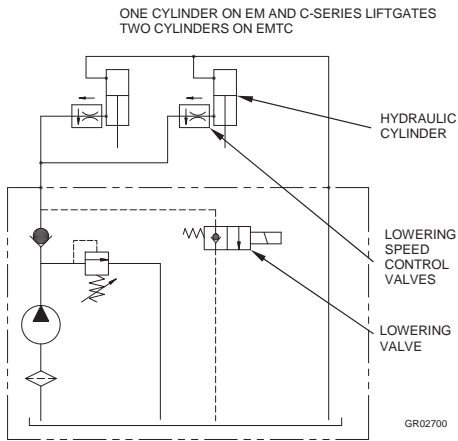
WALTCO LIFT CORP
C- SERIES

REVISED: 08-2017
E.O. 10289
REV. 08

PM-622A

ITEM	PART NUMBER	QTY	DESCRIPTION
1	80001429	1	Switch Kit w/10ft Cord
2	10099325 ^a	1	Switch (Hand Held Remote)
3	75082038	1	Trailer Socket
4	75082037	1	Trailer Plug
5	75089854	1	15 Amp Fuse
6	10099309	1	Fuse Holder
7	10098413	1	Dual Control Harness
8	75089243	1	150 Amp Circuit Breaker (Manual Reset)
9	80001312	1	Cycle Counter Kit

^a Included in Switch Hand Held Remote Kit 80000430.

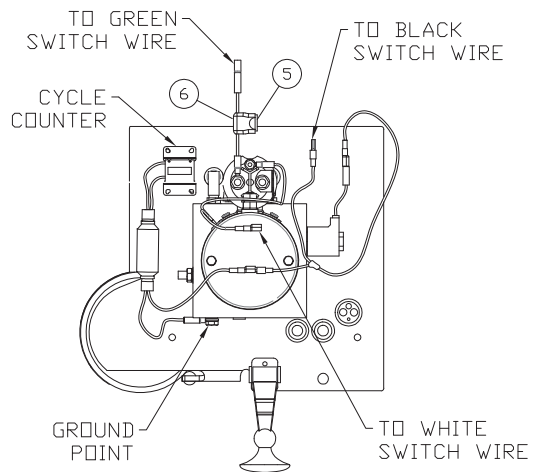
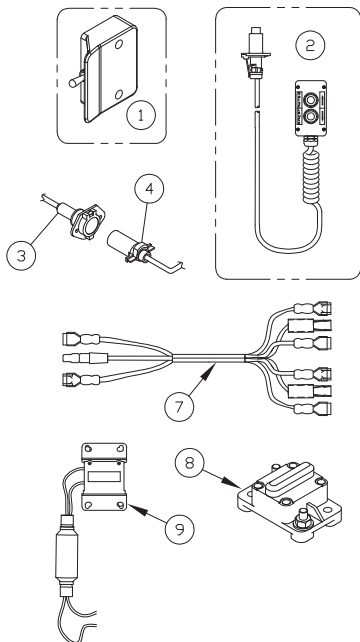


WALTCO LIFT CORP.
EM, EMTC and C-SERIES

REVISED: 4-2016
E.O. 7903
REV. 06

PM-786

ELECTRIC CONTROL OPTIONS – Gravity Down



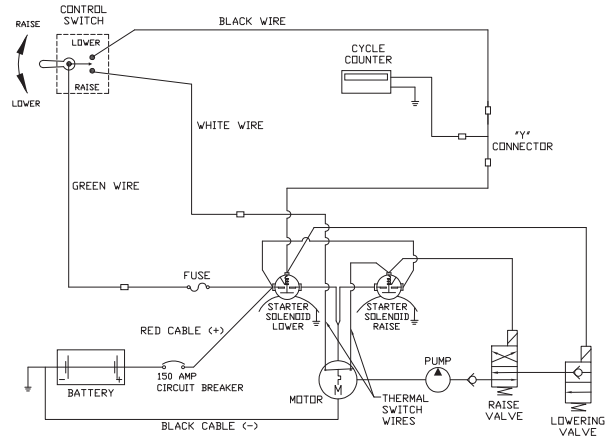
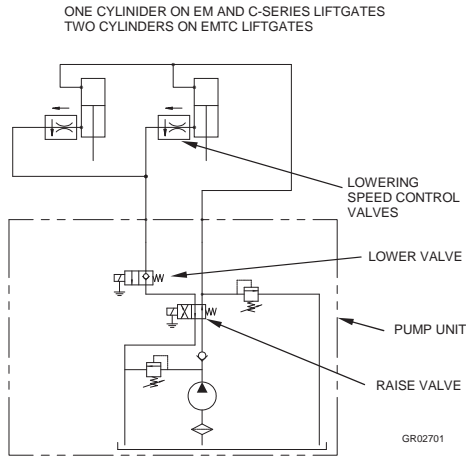
WALTCO LIFT CORP.
EM, EMTC and C-SERIES

REVISED: 4-2016
E.O. 7903
REV. 06

PM-786

ITEM	PART NUMBER	QTY	DESCRIPTION
1	10099330 ^a	1	Switch w/10ft Cord (for curb side)
	10099331 ^b	1	Switch w/15ft Cord (for Dual Control)
2	10099325 ^c	1	Switch (Hand Held Remote)
3	75082038	1	Trailer Socket
4	75082037	1	Trailer Plug
5	75089854	1	15 Amp Fuse
6	10099309	1	Fuse Holder
7	10098413	1	Dual Control Harness
8	75089243	1	150 Amp Circuit Breaker (Manual Reset)
9	80001312	1	Cycle Counter Kit

^a Included in Switch Kit 80000436.
^b Included in Switch Dual Control Kit 80000437.
^c Included in Switch Hand Held Remote Kit 80000430.

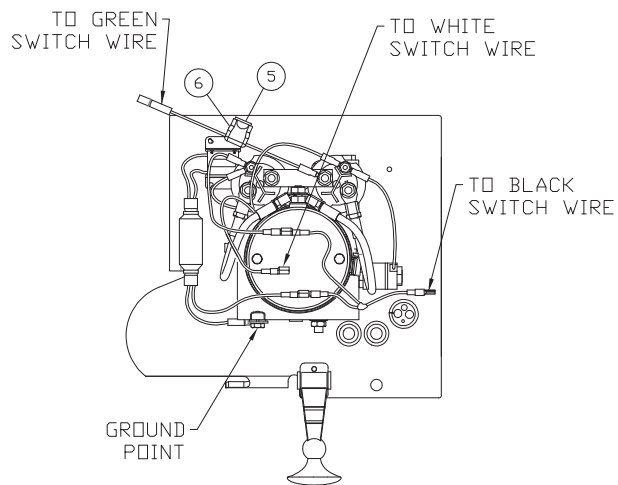
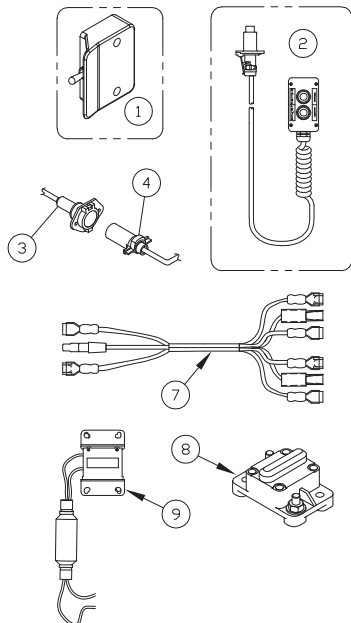


WALTCO LIFT CORP.
EM, EMTC and C-SERIES

REVISED: 4-2016
E.O. 7903
REV. 05

PM-787

ELECTRIC CONTROL OPTIONS – Power Down



WALTCO LIFT CORP.
EM, EMTC and C-SERIES

REVISED: 4-2016
E.O. 7903
REV. 05

PM-787



Every vehicle that has a WALTCO Liftgate must have legible **WARNING AND OPERATION DECALS** clearly posted on the vehicle and an **OWNER'S MANUAL** in the vehicle at all times as a guide for proper operation and maintenance.

Additional **WARNING DECALS**, **OPERATION DECALS** and **OWNER'S MANUALS** can be obtained from **WALTCO LIFT CORP.**

NOTE:

**When ordering, give model
and serial number of the liftgate.**

IMPORTANT

WARNING

Improper operation and maintenance of this liftgate could result in severe personal injury or death.

Read and understand the contents of this manual and all warning and operation decals before operating and/or performing maintenance on this liftgate.

For SAFETY information on this liftgate see Chapter 1 of this manual