



Hiab Multilift

XR Power range hooklifts

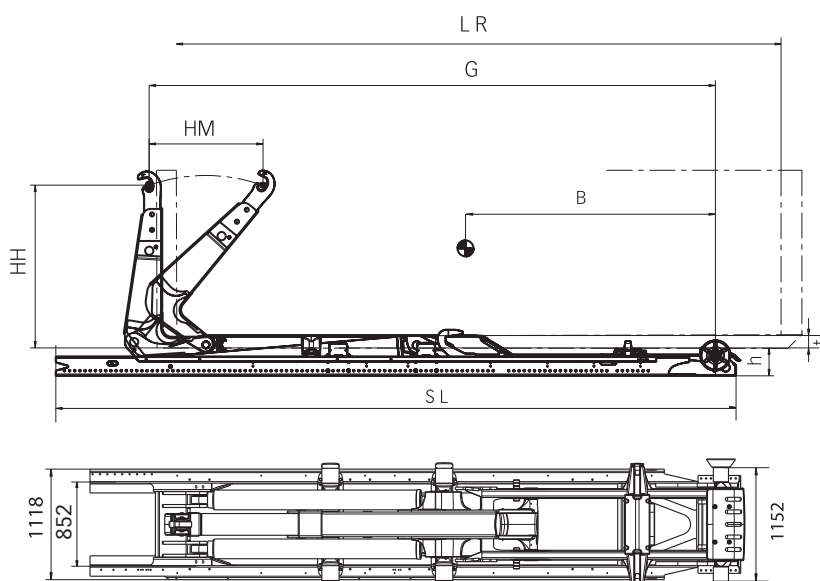


TECHNICAL INFORMATION

XR18T

TECHNICAL DATA

TYPE	XR18T	
VEHICLE TYPE	3-axle	
GVW OF THE VEHICLE (t)	26	
CAPACITY (t)	18	
G-LENGTH	51	55
SYSTEM WEIGHT (kg) *	1880	1990
TIPPING ANGLE (°)	49	49
MAX. OPERATING PRESSURE (MPa)	30	
RECOMMENDED MAX. OIL FLOW (l/min)	80 (special 120)	



* Weight includes hydraulic body locking and excludes oil tank and oil.

** The subframe length (SL) can be reduced to achieve a final installation length. The minimum installation length depends upon country and control valve position. For an exact installation length dimension please contact your local Hiab Multilift dealer.

Hiab Multilift equipments meet the demands set forth in the EU Machine Directive and they are CE marked.

We reserve the rights for modifications. Illustrations do not always show an equipment in standard version.

PRIMARY DIMENSIONS

MODEL	XR18T.51	XR18T.55
LR = BODY LENGTH (m) min - max	4.3 - 6.1	4.7 - 6.5
SL = SUBFRAME LENGTH (mm) **	5758	6758
B = CENTRE OF GRAVITY (mm)	2800	3200
G = EXACT G-LENGTH (mm)	5080	5480
HM = HORIZONTAL MOVEMENT (mm)	1100	1100
h = INSTALLATION HEIGHT (mm)	230	
t = MIN. FREE TUNNEL HEIGHT (body) (mm)	125	
HH = HOOK HEIGHT (mm)	1575	

Cargotec improves the efficiency of cargo flows on land and at sea – wherever cargo is on the move. Cargotec's daughter brands Hiab, Kalmar and MacGregor are recognised leaders in cargo and load handling solutions around the world. Cargotec's global network is positioned close to customers and offers extensive services that ensure the continuous, reliable and sustainable performance of equipment. www.cargotec.com



Cargotec UK Limited
 Ellesmere, Shropshire
 SY12 9JW UK
 Tel. 01691 623100
 Fax 01691 623022
www.hiab.co.uk