

Hiab Multilift XP Classic range hooklifts



Basic Data

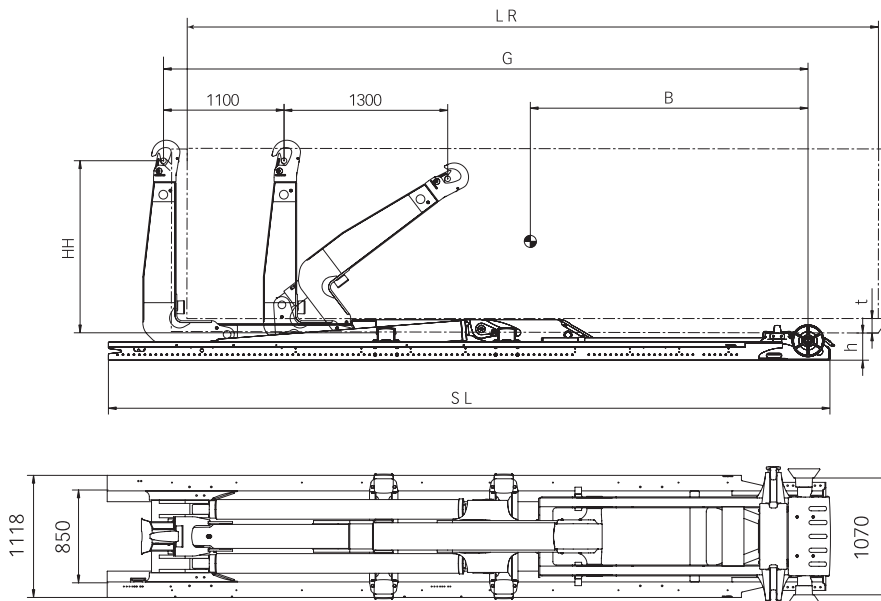
XP22Z

Technical data

Type

XP22Z

Vehicle type	3 axle	
GVW of the vehicle (t)	26	
Capacity (t)	22	
G-length	51	53
System weight (kg) *	2690	2720
Tipping angle (°)	53	49
Max. operating pressure (MPa)	30	
Recommended max. oil flow (l/min)	100	



* Weight includes hydraulic body locking and excludes oil tank and oil.

** The subframe length (SL) can be reduced to achieve a final installation length. The minimum installation length depends upon country and control valve position. For an exact installation length dimension please contact your local Hiab Multilift dealer.

*** Other hook heights for different body standards available.

Hiab Multilift equipments meet the demands set forth in the EU Machine Directive and they can be CE marked. We reserve the rights for modifications. Illustrations do not always show an equipment in standard version.

Primary dimensions

Model

XP22Z.51

XP22Z.53

LR = Body length (m) (min – max)	3.2 - 6.1	3.5 - 6.3
SL = Subframe length (mm) **	5753	5983
B = Centre of gravity (mm)	2800	2950
G = Exact G-length (mm)	5080	5320
LH = Min operating height (mm)	2720	2720
t = Min free tunnel height (body) (mm)	125	
h = Installation height (mm)	250	
HH = Hook height (mm) ***	1570	

Cargotec improves the efficiency of cargo flows on land and at sea - wherever cargo is on the move. Cargotec's brands MacGregor, Kalmar and Hiab are recognised leaders in cargo and load handling solutions around the world. Cargotec's global network is positioned close to customers and offers extensive services that ensure the continuous, reliable and sustainable performance of equipment. www.cargotec.com



Cargotec Finland Oy
 Nesteentie 36, P.O.Box 39
 FI-21201 Raisio, Finland
 tel. +358 204 55 2399
 fax +358 204 55 2231
www.hiab.com