

HIAB X-HIPRO 302



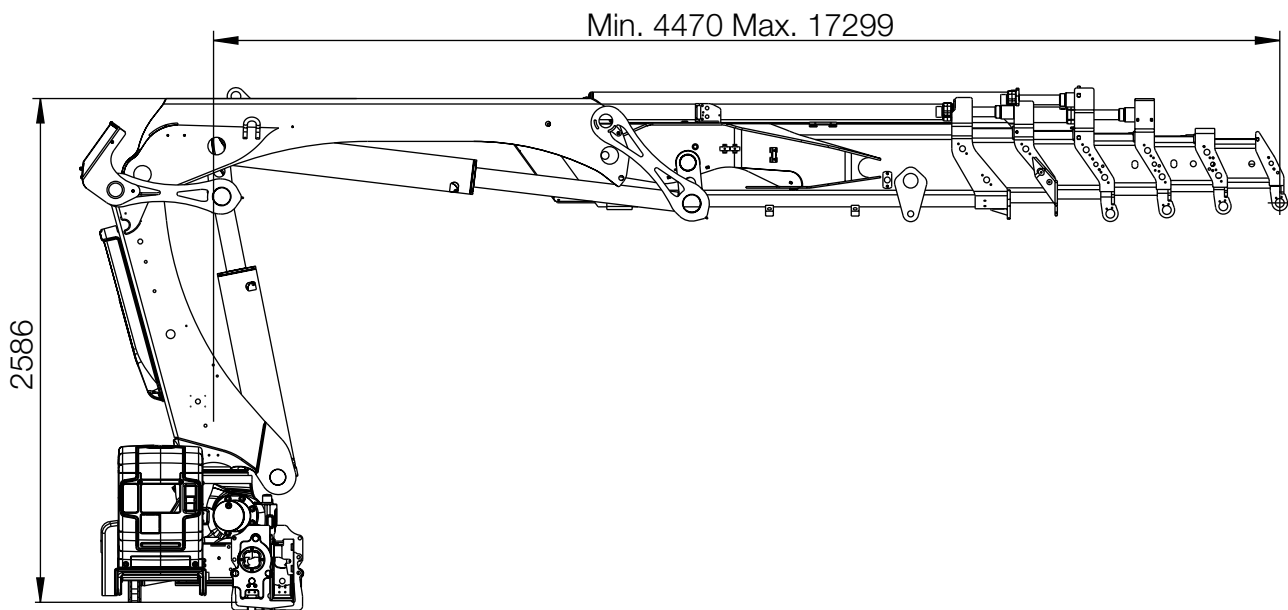
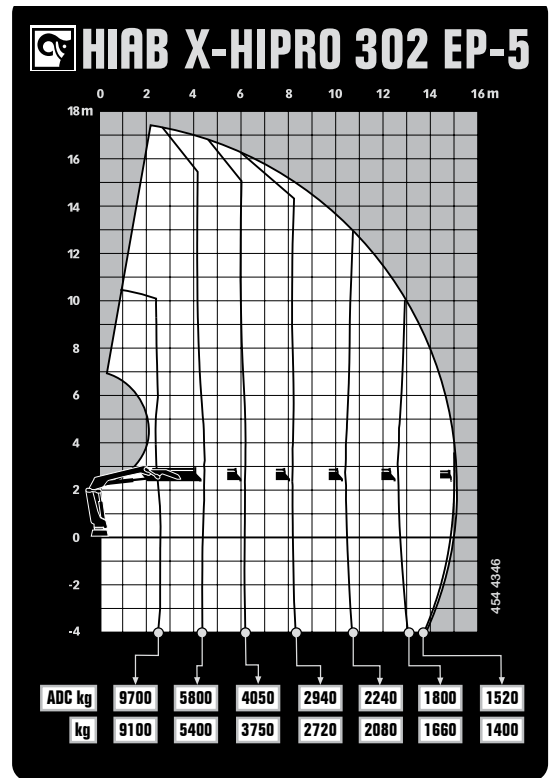
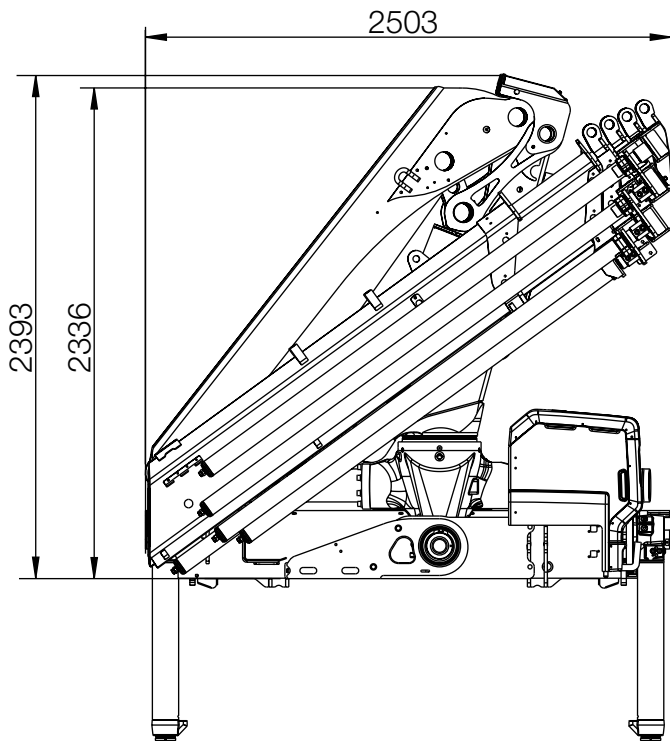
HIAB X-HIPRO 302 BASIC DATA

BASIC DATA	X-HiPro 302 E-6	X-HiPro 302 E-6 Jib 45X-3	X-HiPro 302 E-8	X-HiPro 302 EP-5
Mdyn	325 kNm	325 kNm	325 kNm	325 kNm
Lifting capacity (kNm)	229	229	219	238
Lifting capacity (tm)	23,3	23,3	22,3	24,3
Lifting capacity (ADC) (kNm)	245	245	236	255
Lifting capacity (ADC) (tm)	25	25	24,1	26
Outreach - lifting capacity, standard (m-kg)	2,6 - 9 400	19,2 - 540	2,5 - 9 200	2,6 - 9 700
	4,5 - 5 500	20,8 - 480	4,7 - 5 100	4,5 - 5 800
	6,1 - 3 900	22,7 - 430	6,3 - 3 550	6,2 - 4 050
	7,9 - 2 840	24,6 - 390	8,1 - 2 540	8,2 - 2 940
	9,8 - 2 180		10 - 1 880	10,4 - 2 240
	11,8 - 1 740		12 - 1 460	12,7 - 1 800
	13,9 - 1 420		14,1 - 1 160	15 - 1 520
	16,1 - 1 220		16,3 - 940	
	18,6 - 800			
		20,9 - 700		
Outreach - lifting capacity, manual extensions (m-kg)	18,3 - 980		22,4 - 600	17,2 - 1 260
Hydraulic outreach, standard (m)	16,2	24,7	21	15,1
Hydraulic boom extension (m)	11,7 m	17,1 m	16,3 m	10,6 m
Outreach, manual extensions (m)	18,4	0	22,6	17,3
Lifting height above installation level, hydr/man. (m)	18,8 / 23,1	27,2 / 0,0	23,6 / 25,1	17,7 / 19,8
Rec. oil flow (l/min)	90 - 120	90 - 120	90 - 120	90 - 120
Working pressure (Mpa)	33,5	33,5	33,5	33,5
Oil in tank (l)	150 - 200	150 - 200	150 - 200	150 - 200
Tank capacity (l)	0 - 235	0 - 235	0 - 235	0 - 235
Slewing angle (°)	420	420	420	420
Max slope viable at full capacity (°)	5	5	5	5
Slewing torque, gross (kNm)	34	34	34	34
Slewing speed (80°/s)	15	15	15	15
Slewing speed(°/s)	15	15	15	15
Lifting speed at standard hydraulic outreach (m/s)	2,1	2,1	2,7	1,9
Height in folded position (mm)	2 650	2 633	2 401	2 650
Width in folded position (mm)	2 505	2 505	2 508	2 503
Install space required. Rotation area not included (mm)	1 256	1 215	1 212	1 274
Install space required with hose and pipe kit (mm)	1 256	1 215	1 212	1 274
Crane in standard version without stabiliser system (kg)	3 480	4 020	3 750	3 210
Frame attachments (kg)	56 - 63	56 - 63	56 - 63	56 - 63
Stabiliser system (kg)	381 - 465	381 - 465	381 - 465	381 - 465

This table show one example of a model, and represents some of all options available. With the opportunity to configure your crane, we can provide you with a crane perfectly tailored for your needs.

Please contact your local dealer for more information and the exact data on the variety of options we can offer.

Hiab X-HIPRO 302 EP-5



BUILT TO PERFORM

Hiab is the world's leading provider of on-road load handling equipment. Customer satisfaction is the first priority for us. Hiab's product range includes HIAB loader cranes, JONSERED recycling and forestry cranes, LOGLIFT forestry cranes, MOFFETT truck mounted forklifts and MULTILIFT demountables, as well as DEL, WALTCO and ZEPRO tail lifts.

hiab.com

Hiab is part of Cargotec.

cargotec.com



hiab.com