

HIAB T-CLX 023



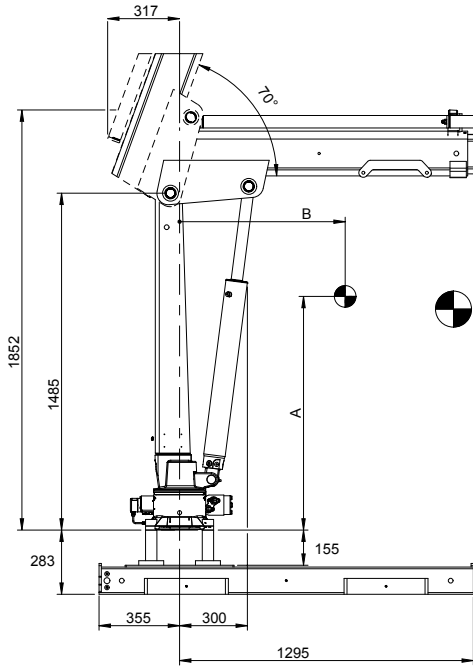
HIAB T-CLX 023 BASIC DATA

| Technical data | T-CLX 023-2 CE | T-CLX 023-3 CE | T-CLX 023-2 | T-CLX 023-3 |
|---|-------------------------------|--|---------------------------------|---|
| Max. lifting capacity (kNm) | 23.9 | 23.6 | 23.9 | 23.6 |
| Lifting capacity (tm) | 2.4 | 2.4 | 2.4 | 2.4 |
| Outreach / lifting capacity, hydraulic extension (m/kg) | 1.5/995 2.4/995 3.4/700 | 1.5/995 2.4/980 3.4/670 4.4/520 | 1.5/1620 2.4/1000 3.4/700 | 1.5/1600 2.4/980 3.4/670 4.4/520 |
| Outreach / lifting capacity, manual extension (m/kg) | 4.4/530 5.5/410 | 5.5/400 | 4.4/530 5.5/410 | 5.5/400 |
| Outreach, hydraulic extensions (m) | 1.9 | 2.9 | 1.9 | 2.9 |
| Hydraulic boom extensions (m) | 3.4 | 4.4 | 3.4 | 4.4 |
| Outreach, manual extensions (m) | 2.1 | 1.1 | 2.1 | 1.1 |
| Lifting height above installation level (m) | 4.7 | 5.7 | 4.7 | 5.7 |
| Manual Lifting height above installation level inc. Manual ext.(m) | 6.7 | 6.7 | 6.7 | 6.7 |
| Recommended oil flow (l/min) | 10 | 10 | 10 | 10 |
| Power needed at rec. oil flow (kW) | 3 | 3 | 3 | 3 |
| Max. working pressure (MPa) | 17.5 | 17.5 | 17.5 | 17.5 |
| Tank Capacity PTO (l) | 18 | 18 | 18 | 18 |
| Slewing angle (°) | 322 | 322 | 322 | 322 |
| Max. slope viable at full capacity (°) | 5 | 5 | 5 | 5 |
| Slewing torque, gross (kNm) | 3 | 3 | 3 | 3 |
| Slewing speed (°/s) | 14 | 14 | 14 | 14 |
| Height in folded position (mm) | 1551 | 1551 | 1551 | 1551 |
| Width in folded position static mounted (mm) | 798 | 798 | 798 | 798 |
| Width in folded position truck mounted (mm) no stab beam/with stab beam and tilting | 1826/1926 | 1826/1926 | 1826/1926 | 1826/1926 |
| Installation space needed static mounted (mm) | 300 | 300 | 300 | 300 |
| Installation space needed truck mounted (mm) | 536 | 536 | 536 | 536 |
| Weight, static mounted (kg) | 260 | 298 | 260 | 298 |
| Weight, mounting frame plus 2 short hydr. stabilizer legs (kg) | 121 | 121 | 121 | 121 |

This table shows a few examples of models, and represents some of all options available. With the opportunity to configure your crane, we can provide you with a crane perfectly tailored to your needs.

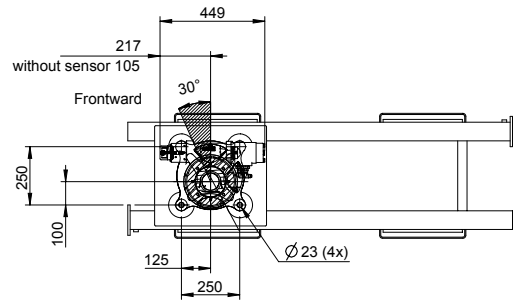
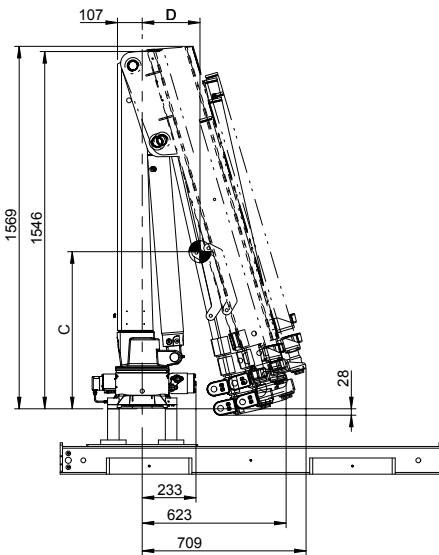
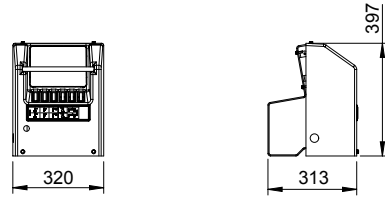
Please contact your local dealer for more information on the variety of options we can offer.

HIAB T-CLX 023-2

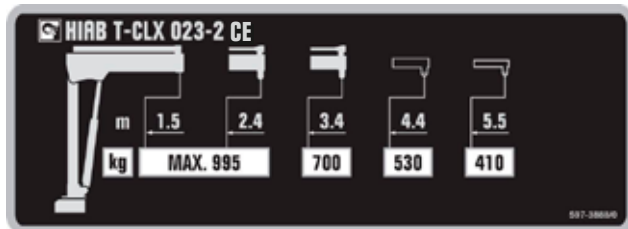


Center of gravity (without base and stabilizers)

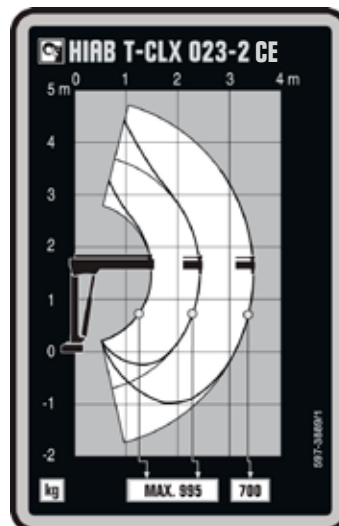
| A | B | C | D | E min | E max |
|------|-----|-----|-----|-------|-------|
| 1030 | 730 | 680 | 220 | 1403 | 3403 |



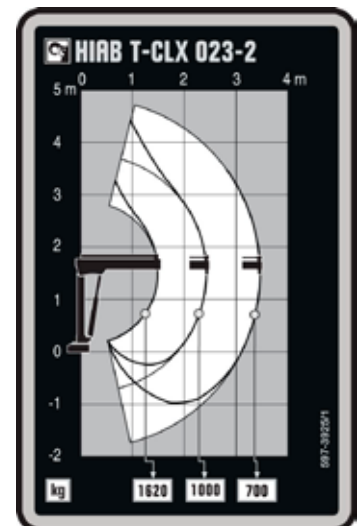
Capacity plate HIAB T-CLX 023-2 CE



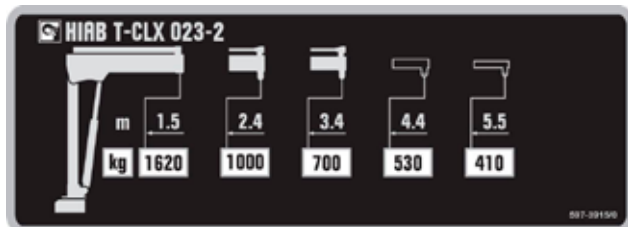
Load diagram HIAB T-CLX 023-2 CE



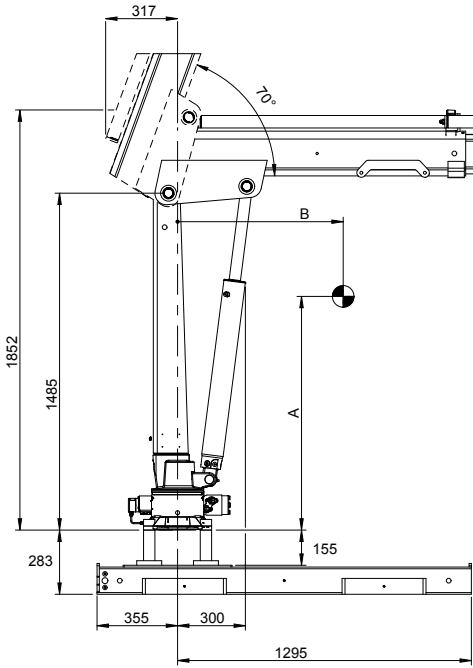
Load diagram HIAB T-CLX 023-2



Capacity plate HIAB T-CLX 023-2

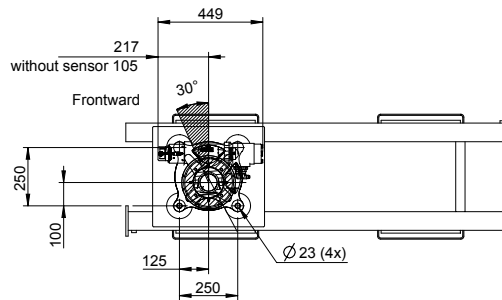
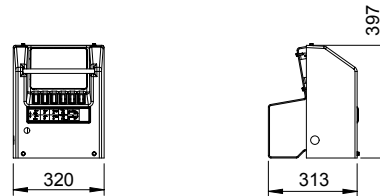
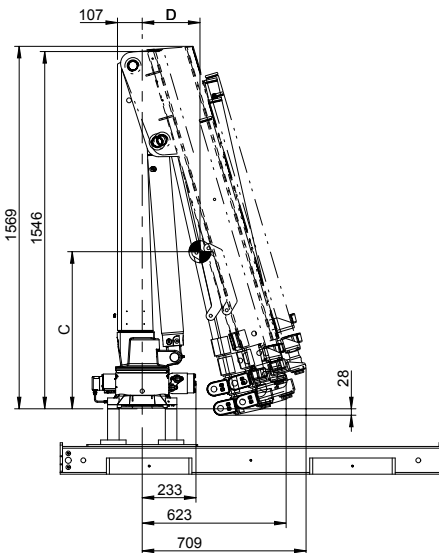


HIAB T-CLX 023-3

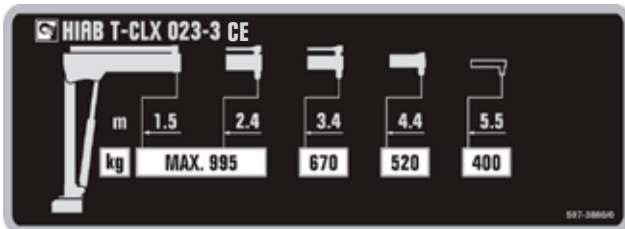


Center of gravity (without base and stabilizers)

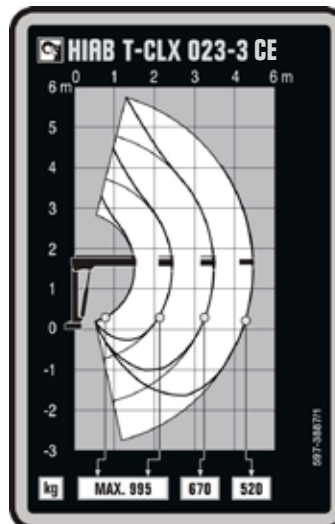
| A | B | C | D | E min | E max | F min | F max |
|------|------|-----|-----|-------|-------|-------|-------|
| 1110 | 1100 | 680 | 260 | 1403 | 3403 | 1490 | 4490 |



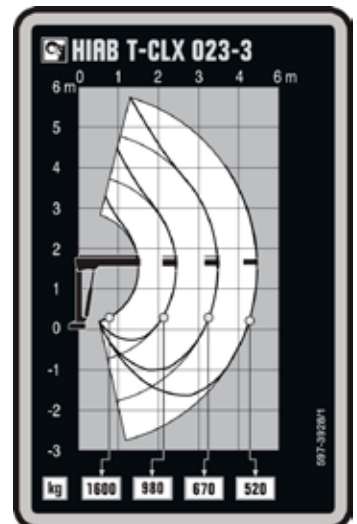
Capacity plate HIAB T-CLX 023-3 CE



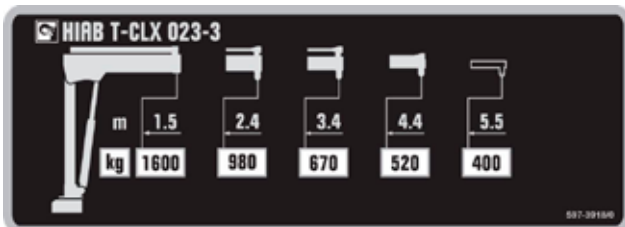
Load diagram HIAB T-CLX 023-3 CE



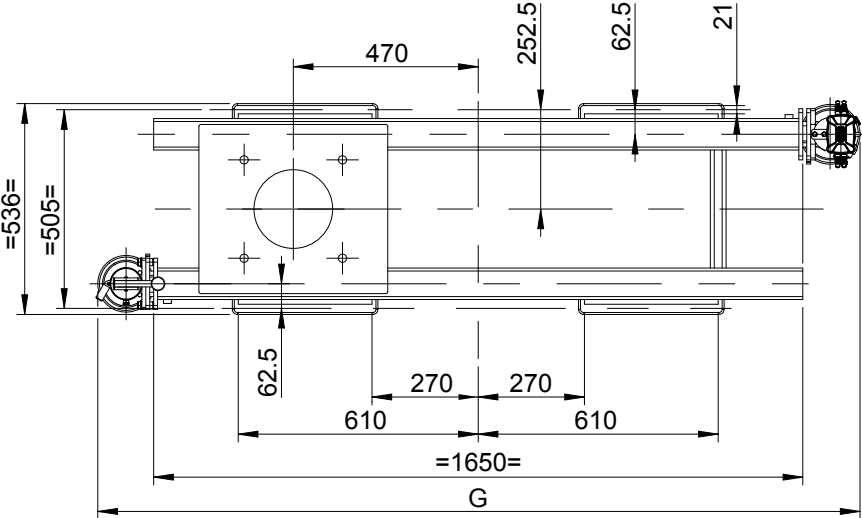
Load diagram HIAB T-CLX 023-3



Capacity plate HIAB T-CLX 023-3

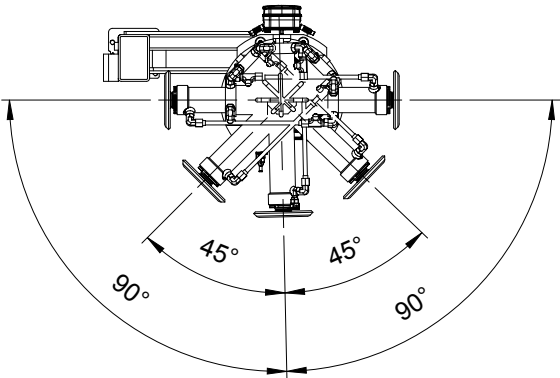


HIAB T-CLX 023

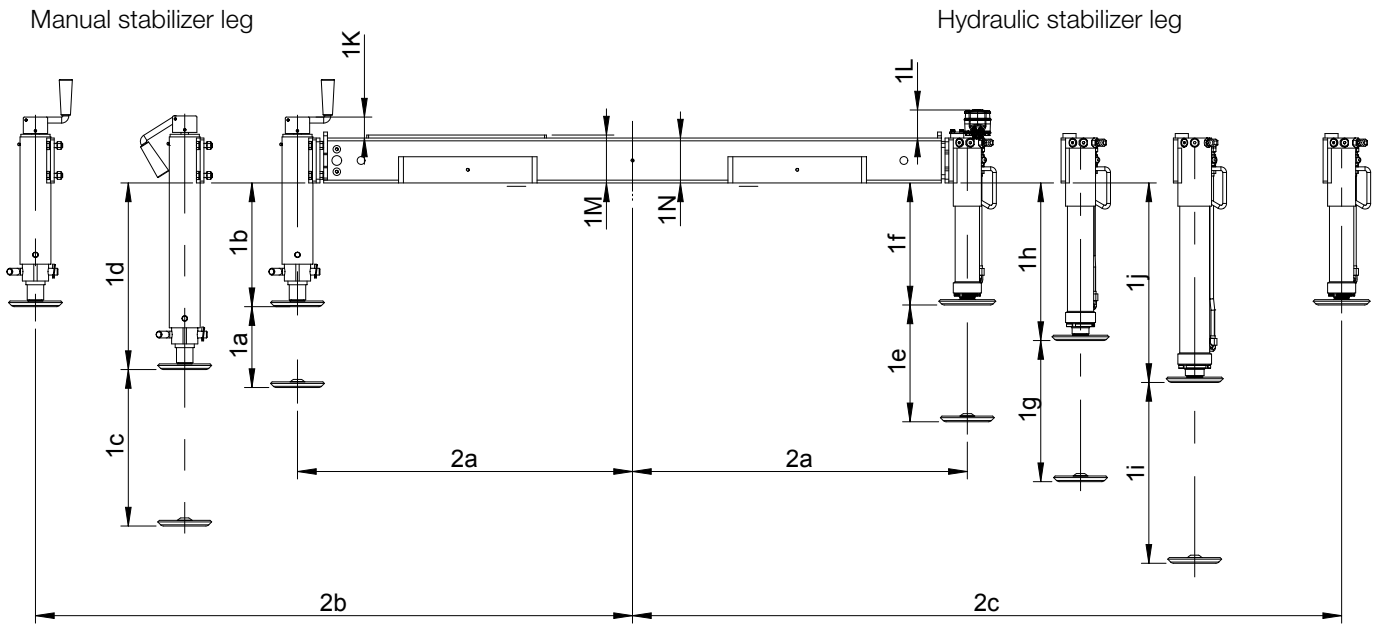


| G | |
|-------------------------------|------|
| Fixed | 1826 |
| Fixed with tilting device | 1886 |
| Extension | 1866 |
| Extension with tilting device | 1926 |

Tiltable stabilizer leg parking positions



HIAB T-CLX 023



Other base dimensions

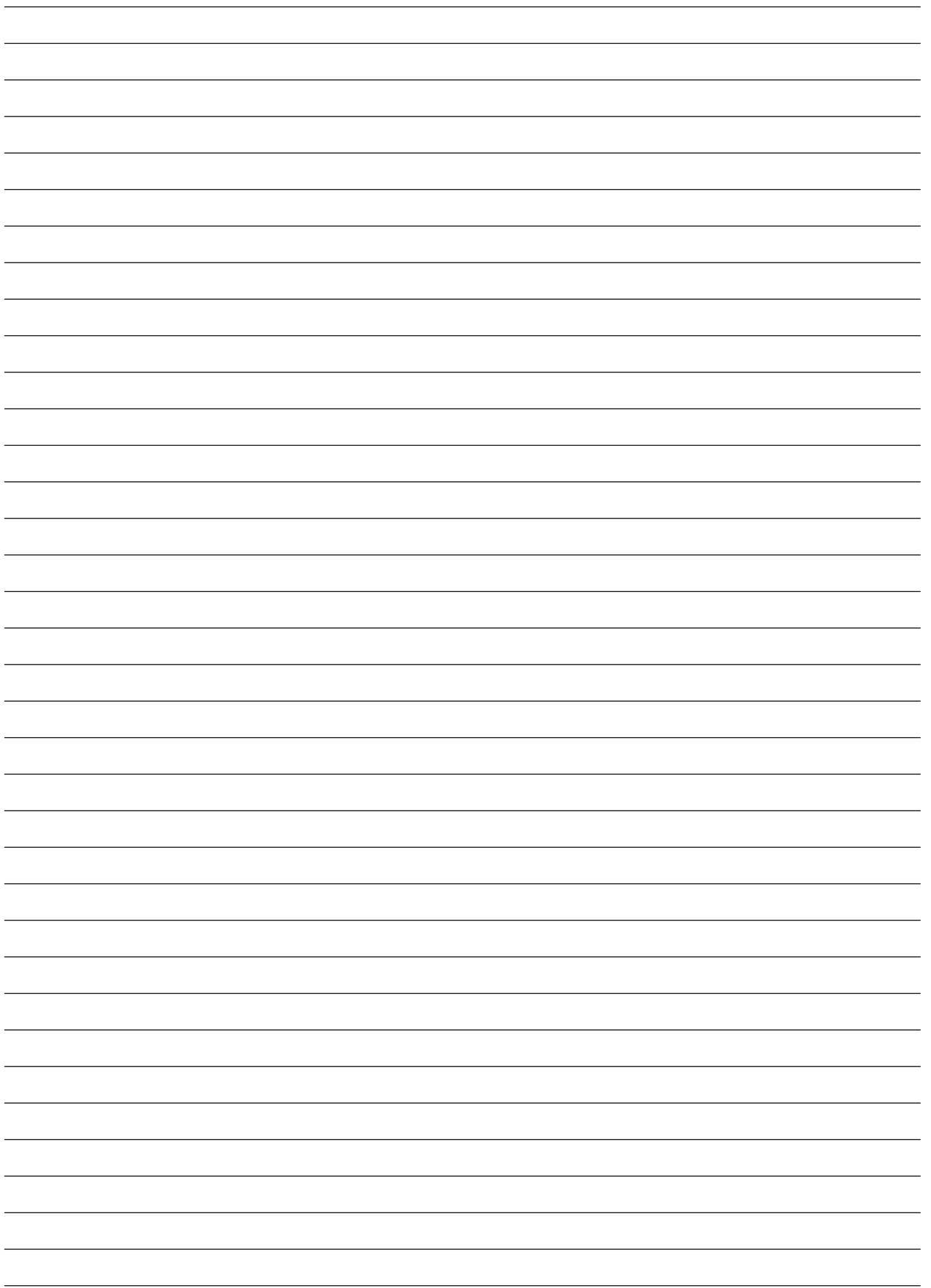
| | Fixed stabilizer leg position | Tilttable stabilizer leg |
|----|-------------------------------|--------------------------|
| 1K | 56 | 33 |
| 1L | 75 | 52 |
| 1M | 128 | 128 |
| 1N | 120 | 120 |

Stabilizer leg length

| | | Tilttable stabilizer leg | | Fixed stabilizer leg position |
|--------------------------|--------|--------------------------|-------|-------------------------------|
| Manual stabilizer leg | Short | 1a | 216 | 216 |
| | | 1b | 330.5 | 353.5 |
| | Medium | 1c | 418 | 418 |
| | | 1d | 498.5 | 521.5 |
| Hydraulic stabilizer leg | Short | 1e | 312 | 312 |
| | | 1f | 326 | 349 |
| | Medium | 1g | 377 | 377 |
| | | 1h | 421 | 444 |
| | Long | 1i | 483 | 483 |
| | | 1j | 533 | 556 |

Base width

| | | Fixed stabilizer leg | Stabilizer extension length Short (300 mm) | Stabilizer extension length Medium (600 mm) | Stabilizer extension length Long (1100 mm) |
|-------------------------------|----|----------------------|--|---|--|
| Fixed stabilizer leg position | 2a | 875 | 895 | 895 | 895 |
| | 2b | | 1195 | 1695 | 1995 |
| | 2c | | 1195 | 1695 | 1995 |
| Tilttable stabilizer leg | 2a | 905 | 925 | 925 | 925 |
| | 2b | | 1225 | 1725 | 2025 |
| | 2c | | 1225 | 1725 | 2025 |



BUILT TO PERFORM

Hiab is the world's leading provider of on-road load handling equipment. Customer satisfaction is the first priority for us. Hiab's product range includes HIAB loader cranes, JONSERED recycling and forestry cranes, LOGLIFT forestry cranes, MOFFETT truck mounted forklifts and MULTILIFT demountables, as well as DEL, WALTCO and ZEPRO tail lifts.

hiab.com

Hiab is part of Cargotec.

cargotec.com

Disclaimer. We reserve the right to make changes. Illustrations, drawings and data are not always in accordance with the latest version or standard model in production. The models in the pictures may present special equipment or colours.

TD-TOLX023-EN-EU_151111