

HIAB X-CLX 528 EP-5

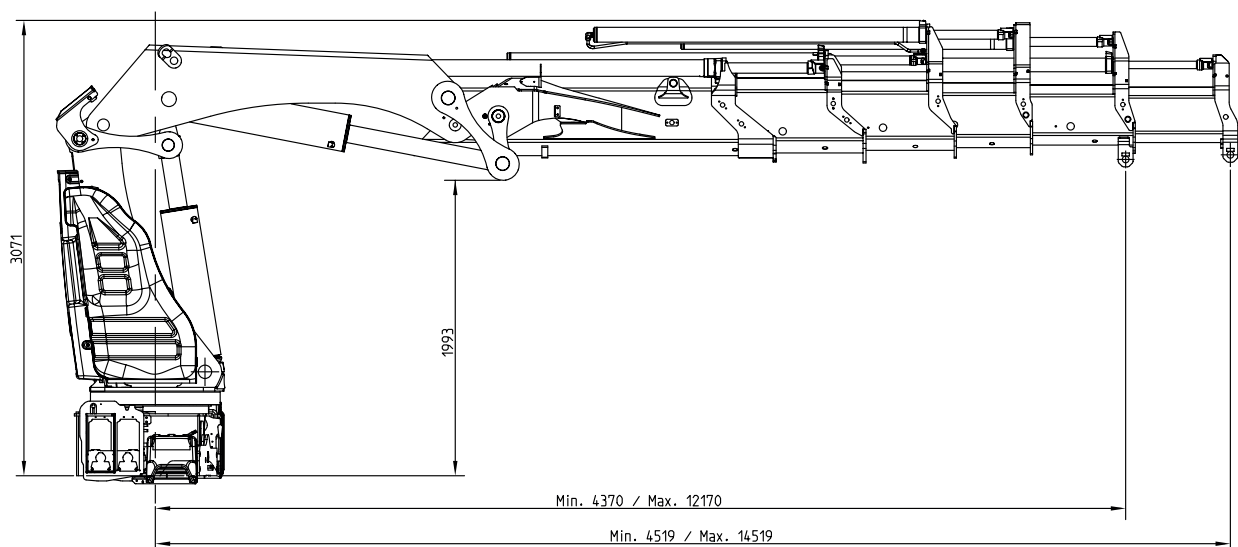


HIAB X-CLX 528 EP-5 BASIC DATA

TECHNICAL DATA	HIAB X-CLX 528 EP-5
Lifting capacity, max.(ADC)	443 kNm
Outreach, crane hydraulic extensions	14,5 m
Outreach - Lifting capacity, hydraulic extension First boom 7°, Second boom horizontal"	4,6 / 9800
	6,4 / 6900
	8,3 / 5200
	10,3 / 4050
	12,3 / 3350
14,5 / 2840	
Slewing angle	continuous
Height in folded position	2500 mm
Width in folded position	2546 mm
Installation space needed	1283 mm
Weights:	
Weight, crane in standard version without stabilisers	4542 kg
Weight, frame attachments	78 - 123 kg
Weight, stabiliser equipment	788 - 896 kg

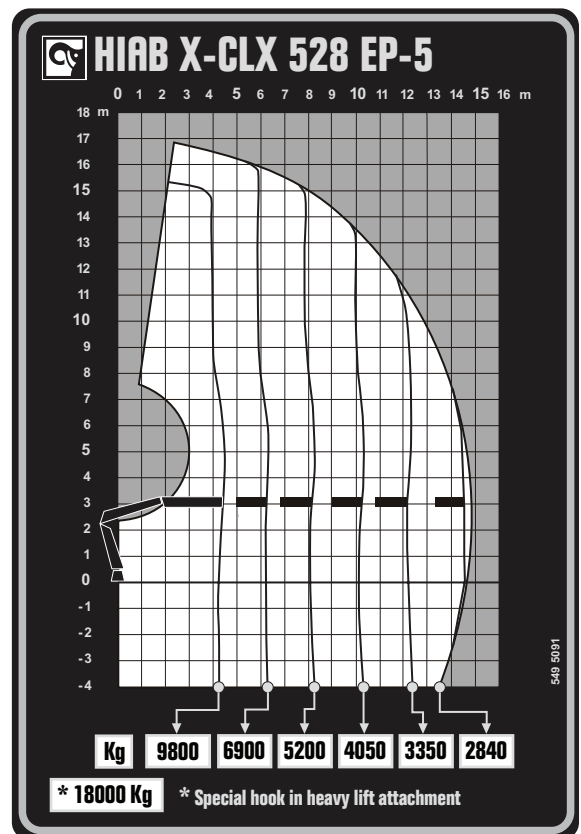
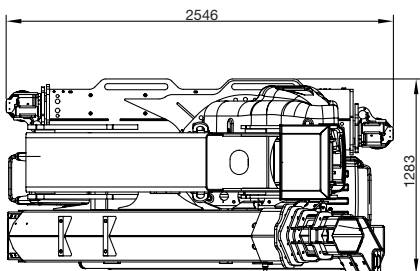
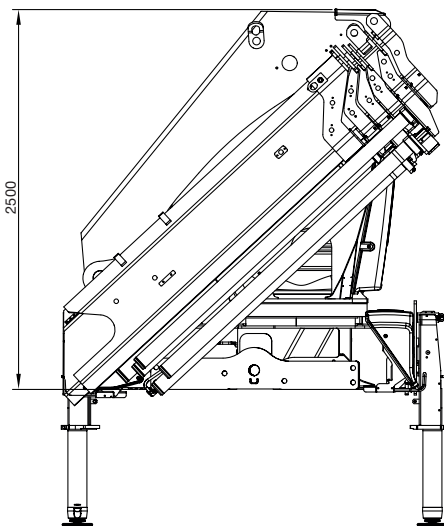
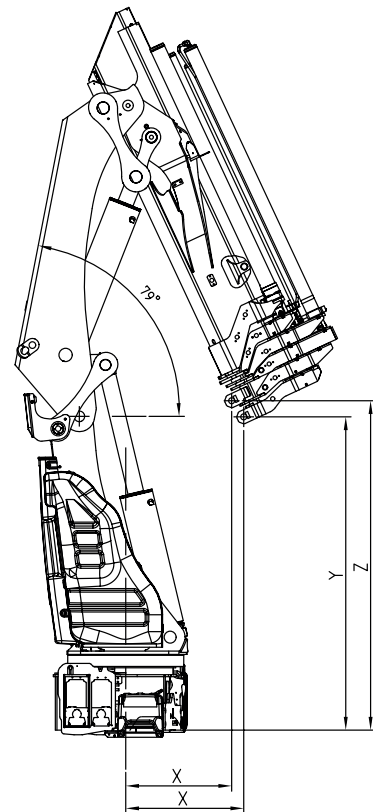
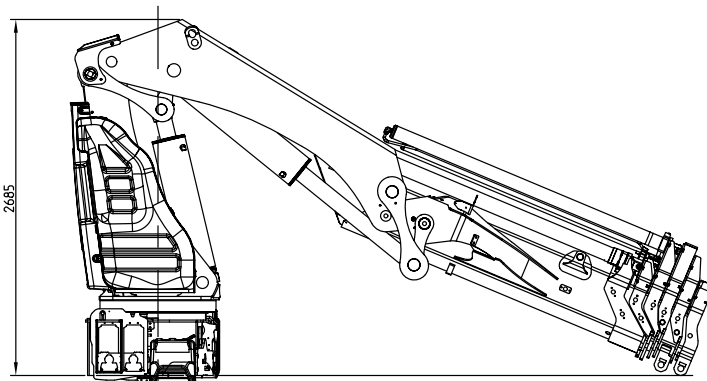
This table show one example of a model, and represents some of all options available. With the opportunity to configure your crane, we can provide you with a crane perfectly tailored to your needs.

Please contact your local dealer for more information and the exact data on the variety of options we can offer.



HIAB X-CLX 528 EP-5

X	Y	Z
700	2300	2451
1000	2406	2565



BUILT TO PERFORM

Hiab is the world's leading provider of on-road load handling equipment. Customer satisfaction is the first priority for us. Hiab's product range includes HIAB loader cranes, JONSERED recycling and forestry cranes, LOGLIFT forestry cranes, MOFFETT truck mounted forklifts and MULTILIFT demountables, as well as DEL, WALTCO and ZEPRO tail lifts.

hiab.com

Hiab is part of Cargotec.

cargotec.com



© BD-XCLX528EP5-EN-WW_160701



hiab.com