

TECHNICAL SPECIFICATIONS  
**HIAB X-HIPRO 192**

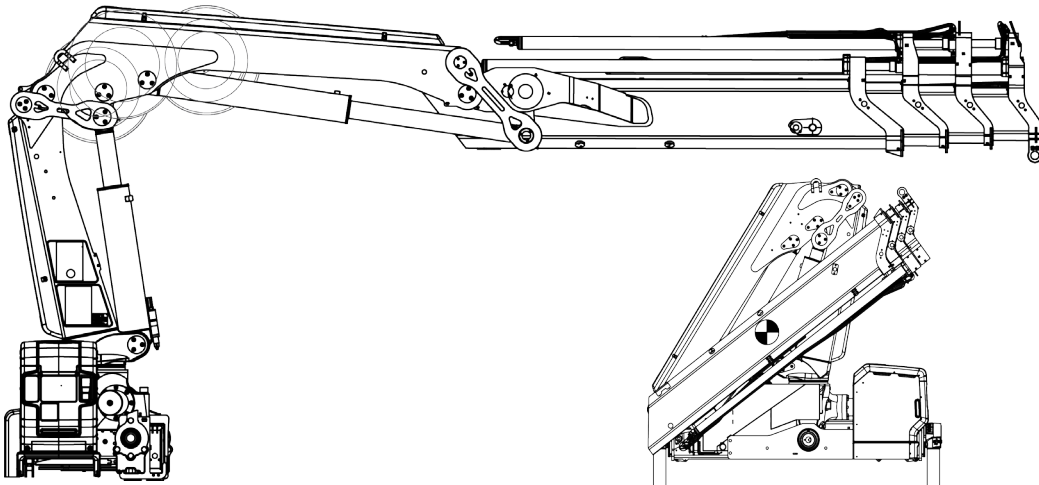


**BUILT TO PERFORM**



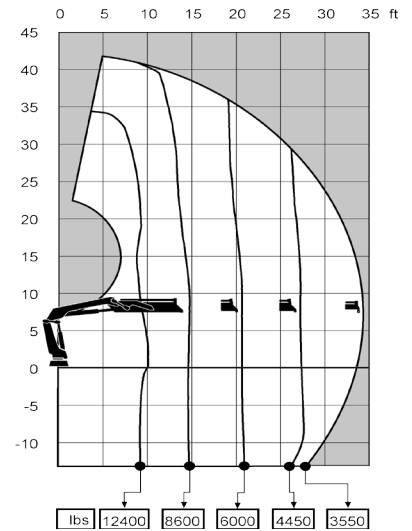
# HIAB X-HIPRO 192 BASIC DATA

TECHNICAL DATA	ES-2	E-3	E-5	E-6
Max. lifting capacity (ft-lbs)	130 890	126 620	120 400	118 010
Outreach, hydraulic extensions (ft)	27' 4"	35' 3"	49' 8"	57' 6"
Outreach, manual extensions (ft)	34' 3"	42' 5"	57' 6"	63' 5"
Outreach, with jib (ft)	-	-	-	-
Outreach / lifting capacity (ft-lbs)	10' 2" - 12 790	10' 10" - 11 680	11' 2" - 10 800	11' 2" - 10 580
	14' 5" - 9 040	15' 9" - 8 050	16' 1" - 7 390	16' 5" - 7 050
	20' 4" - 6 390	21' 8" - 5 620	22' 0" - 5 110	22' 4" - 4 810
	26' 11" - 4 810	28' 3" - 4 230	28' 7" - 3 660	28' 10" - 3 400
	-	34' 9" - 3 400	35' 1" - 2 870	35' 5" - 2 600
	-	-	42' 0" - 2 290	42' 4" - 2 050
	-	-	49' 3" - 1 940	49' 6" - 1 680
Outreach / lifting capacity, with jib (ft-lbs)	-	-	-	-
Slewing angle (°)	415	415	415	415
Height in folded position (in)	98	98	98	98
Width in folded position (in)	100	100	100	100
Installation space needed (in)	59	59	59	59
Weight, "standard" crane without stabilizers (lbs)	4 270	4 620	5 240	5500
Weight, stabilizer equipment (lbs)	600 - 940	600 - 940	600 - 940	600 - 940
Weight, jib (lbs)	-	-	-	-



X-HiPro 192 E-4  
Side View

X-HiPro 192 E-4  
Front View



**Disclaimer.** Hiab cranes have been built to meet the highest standards of safety and service life and have been thoroughly tested. Strength calculations for this model have been carried out in accordance with EN13001 in fatigue class S2. Cargotec's certified Quality Assurance System complies with ISO 9001. Some of the items in our literature may be extra equipment. Certain applications may require an official permit. We reserve the right to change technical specifications without prior notice. Hiab cranes produced for EU-countries are CE marked and comply with the European Standard EN12999.

Hiab is the world's leading provider of on-road load handling equipment. Our high performance product range includes loader cranes, forestry and recycling cranes, demountables, truck mounted forklifts and tail lifts. We aim to set the industry benchmark for customer satisfaction by providing products and services that meet customer needs globally.

www.hiab.us.com  
Hiab is part of Cargotec.  
www.cargotec.com

Hiab USA Inc  
12233 Williams Road  
Perrysburg, OH 43551 USA  
tel. +419 482 6000  
fax. +419 482 6001

