

THE HIAB T-SERIES LIGHT RANGE



THE EASIER WAY



When you do a job, you want it done your way, not the hard way. With a crane from the HIAB T-series light range, on your vehicle or on its own, you can make easy work of your heavy lifting.

These HIAB cranes are flexibly built to your specifications, for power and precision with just the features you need. Modularly constructed, quickly delivered and distinguished by HIAB quality, they are easy to configure and easy to get – and easiest of all to own.



LIGHT CRANES

WITH STRONG ADVAN

The features shown here are some of many reasons why HIAB T-series light cranes provide unbeatable quality and long-lasting peace of mind.

nDurance

nDurance

Constantly exposed to the elements, your crane needs the best in surface protection. HIAB nDurance is the industry's most effective high-tech painting system, with a technologically advanced and environmentally sound process based on nanotechnology and e-coating.

Your crane's parts are first shielded by an ultra-thin nanoceramic layer that prevents corrosion. Afterwards they receive a lacquer polymer e-coating and a durable powder coating, which create stunning good looks that will last your crane's lifetime.

SmartControl



Your T-series crane can be configured with a range of control options, all of which give you unbeatable precision in lifting and handling your load.

Some of those options also include HIAB SmartControl, which allows several crane movements to be performed simultaneously. For example, your crane can be turned while deploying the extensions at the same time, which brings your load more quickly to the place where you need it.



Integrated load-holding valve in first boom cylinder

CastBase

Integrated

TAGES



Extension cylinders with internal feed for a clean-looking boom

SmartControl

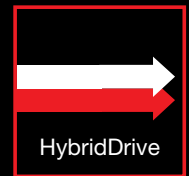
HybridDrive

rance

r

sub-frame

HybridDrive



HybridDrive from HIAB combines operating flexibility with economy that benefits the environment. The T-series crane can be operated on electricity alone, which limits noise in operation and reduces both your fuel costs and emissions. The power pack is charged whenever the truck engine is running.

CastBase



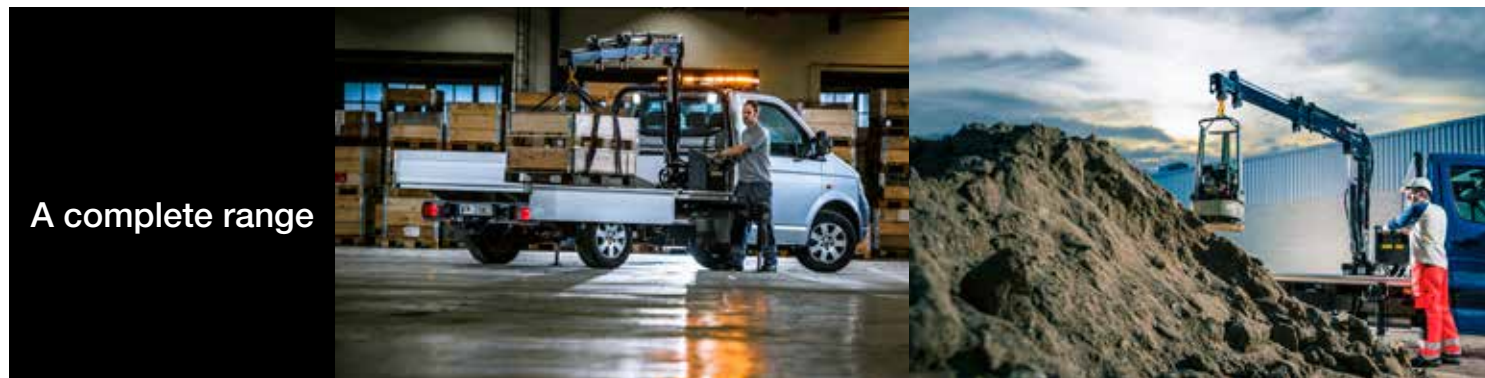
CastBase from HIAB is your assurance of a durable, well-sealed crane mounting. When the base of your crane is cast instead of shielded by a plastic cover, it forms a tight barrier that keeps air and moisture out. That means the quality of your lubricant is maintained for longer, which in turn means trouble-free ownership and a crane that is always ready to go.

The HIAB T-series light range makes easy work of your heavy lifting.

A CRANE FOR EVERY NEED

No matter what you lift or how often you lift it, there is a HIAB T-series light crane that is just right for the job. Best of all, we make it easy for you to get.

Our feature packages let you configure your crane easily, so that you get the exactly the combination you want – no more, no less. And once your crane is defined, our factory makes fast work of putting it together. The crane you imagine is quickly a reality, which means you can get straight down to work.



	Capacity class T-013	Capacity class T-023
Lifting capacity (kNm)	11.9	23.9
Hydraulic extension outreach (m)	4.2	4.4
Manual extension outreach (m)	4.2	5.5
Weight (kg)	132	260
Control system	CLX/Duo/HiDuo	CLX/Duo/HiDuo
Operation	Manual/Remote	Manual/Remote
SmartControl	Yes	Yes
Models	CE/Non-CE	CE/Non-CE
Hybrid operation	Yes	Yes
Cast base	Yes	Yes
nDurance	Yes	Yes



SmartControl™

Simultaneous crane movements let you get the job done faster



HybridDrive™

Charge when your truck is running, operate when the engine is off



CastBase™

Solid protection that keeps your crane in business

Tonnage to suit you

Your first choice is how much you want to lift and in what way. HIAB T-series light cranes are available in four different tonne-metre classes. If you want one of the simplest cranes in a CE-marked version, we can restrict the crane capacity to 995 kg in any of the these classes.

All of these steering systems offer SmartControl, which means your crane will have the ability to perform simultaneous movements, such as turning while extending the boom. SmartControl means you can work more intuitively and get more done in less time.

Crane control your way

Your second key choice is how you want to steer your crane. Three different steering systems are available, with or without remote control.



Capacity class T-029	Capacity class T-038
27.2	34.8
5.5	6.0
5.5	7.2
265	290
CLX/Duo/HiDuo	CLX/Duo/HiDuo
Manual/Remote	Manual/Remote
Yes	Yes
CE/Non-CE	CE/Non-CE
Yes	Yes
Yes	Yes
Yes	Yes

nDurance™

nDurance™

High-tech surface protection for a long-lasting perfect finish

HIAB T-013 range

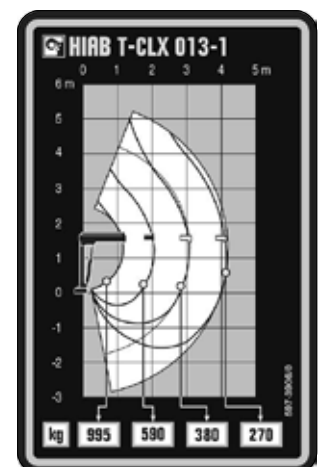
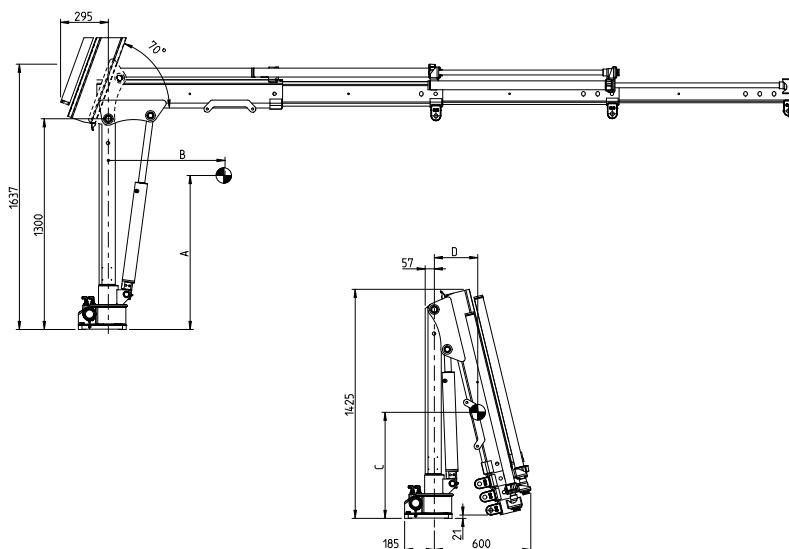
Capacity 1.2 tm

Forget about waiting for forklift trucks. When you need that extra little bit of power, the HIAB T-013 range has what it takes to deliver the goods. The HIAB T-013 range is ready for action, with more than enough power to meet the demands of most light truck operations. Yet it has a low and compact profile that fits comfortably under a pick-up cover.

The choice of three control systems – CLX, Duo and HiDuo – gives you freedom to adapt the HIAB T-013 range to your way of working and your specific needs. You decide between manual and remote control. If you choose the simplest option, CLX, you can also choose between CE and non-CE versions.



	HIAB T-CLX 013	HIAB T-Duo 013	HIAB T-HiDuo 013
Lifting capacity (kNm)	11,9	11,9	11,9
Hydraulic extension outreach (m)	4,2	4,2	4,2
Manual extension outreach (m)	4,2	4,2	4,2
Weight (kg)	132	132	142
Operation	Manual/remote	Manual	Remote
Remote control	Yes (Non-CE)	No	Yes
SmartControl	Yes	Yes	Yes
Models	CE/Non-CE	CE/Non-CE	CE/Non-CE
Hybrid operation	Yes	Yes	Yes
Cast base	Yes	Yes	Yes
nDurance	Yes	Yes	Yes
VSL	No	No	No



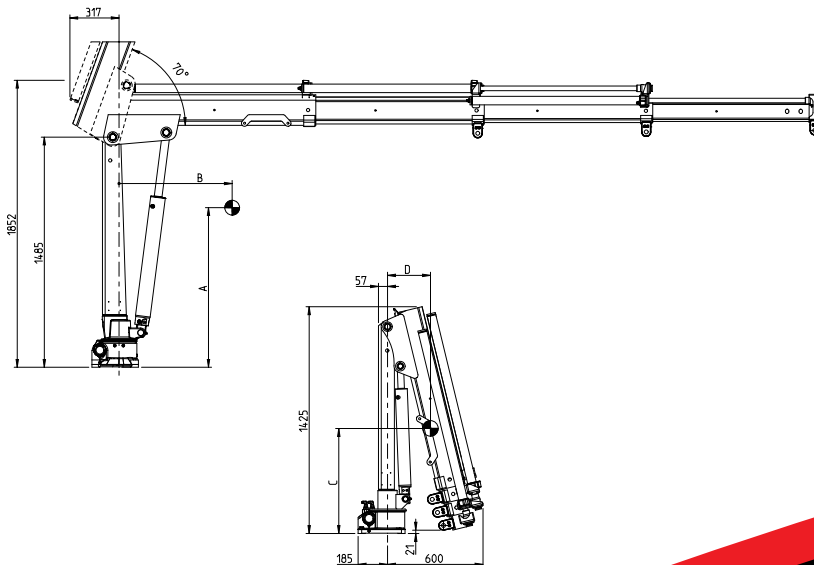
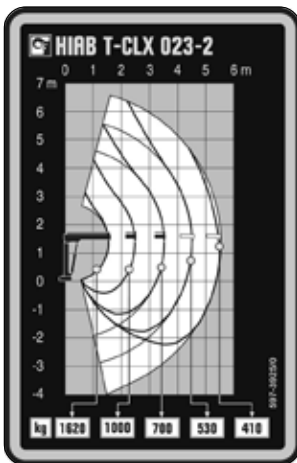


HIAB T-023 range Capacity 2.2 tm

If you need a compact crane with a longer hydraulic outreach than that of the HIAB T-013 range, the HIAB T-023 range will take you further. Up to 3 hydraulic extensions allow effortless lifting of 520 kg at 4.4 metres out, yet the cranes weigh 260 kg and are easily accommodated on just about any size of flatbed truck. This makes the HIAB T-023 range ideal for handling barrels, kerbstones, manhole covers, pumps, traffic barriers, portable toilets, gardening equipment and more.

The choice of three control systems – CLX, Duo and HiDuo – gives you freedom to adapt the HIAB T-023 range to your way of working and your specific needs. You decide between manual and remote control. If you choose the basic option, CLX, you can also choose between CE and non-CE versions.

	HIAB T-CLX 023	HIAB T-Duo 023	HIAB T-HiDuo 023
Lifting capacity (kNm)	23,9	23,9	23,9
Hydraulic extension outreach (m)	4,4	4,4	4,4
Manual extension outreach (m)	5,5	5,5	5,5
Weigh (kg)	260	260	270
Operation	Manual/remote	Manual	Remote
Remote control	Yes	No	Yes
SmartControl	Yes	Yes	Yes
Models	CE/Non-CE	CE/Non-CE	CE/Non-CE
Hybrid operation	Yes	Yes	Yes
Cast base	Yes	Yes	Yes
nDurance	Yes	Yes	Yes
VSL	Yes	Yes	Yes



HIAB T-029 range

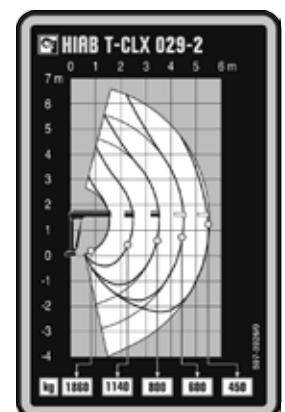
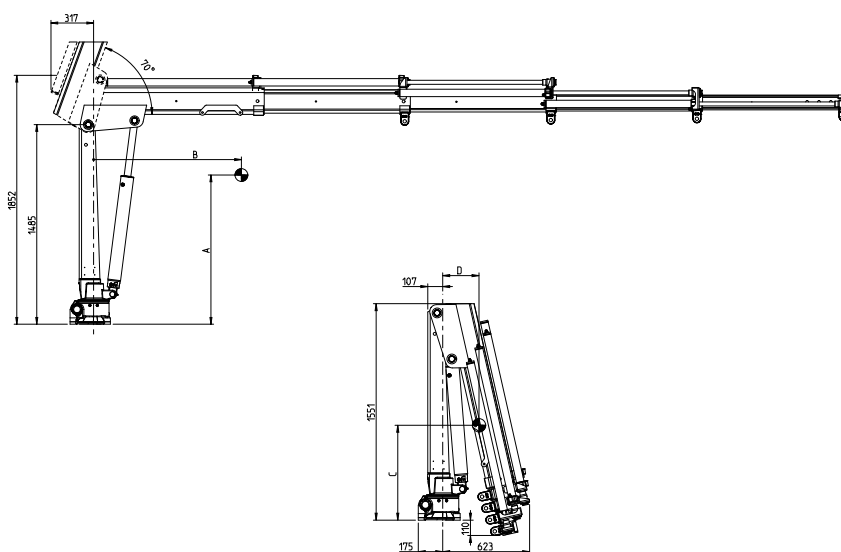
Capacity 2.6 tm

For heavier loads carried on light commercial vehicles, the HIAB T-029 range is a perfect choice. This makes it a valuable asset for any business involving materials handling. Available with up to 4 hydraulic extensions, plus manual extensions, the HIAB T-029 range can achieve an out-reach of almost 5.5 metres. During close-range work it can lift 1.6 tonnes, and well above 540 kg can be handled at 4.5 metres out.

The choice of three control systems – CLX, Duo and HiDuo – gives you freedom to adapt the HIAB T-029 range to your way of working and your specific needs. You decide between manual and remote control. If you choose the basic option, CLX, you can also choose between CE and non-CE versions.



	HIAB T-CLX 029	HIAB T-Duo 029	HIAB T-HiDuo 029
Lifting capacity (kNm)	27.2	27.2	27.2
Hydraulic extension outreach (m)	4.4	4.4	4.4
Manual extension outreach (m)	5.5	5.5	5.5
Weight (kg)	265	265	275
Operation	Manual/remote	Manual	Remote
Remote control	Yes (Non-CE)	No	Yes
SmartControl	Yes	Yes	Yes
Models	CE/Non-CE	CE/Non-CE	CE/Non-CE
Hybrid operation	Yes	Yes	Yes
Cast base	Yes	Yes	Yes
nDurance	Yes	Yes	Yes
VSL	Yes	Yes	Yes



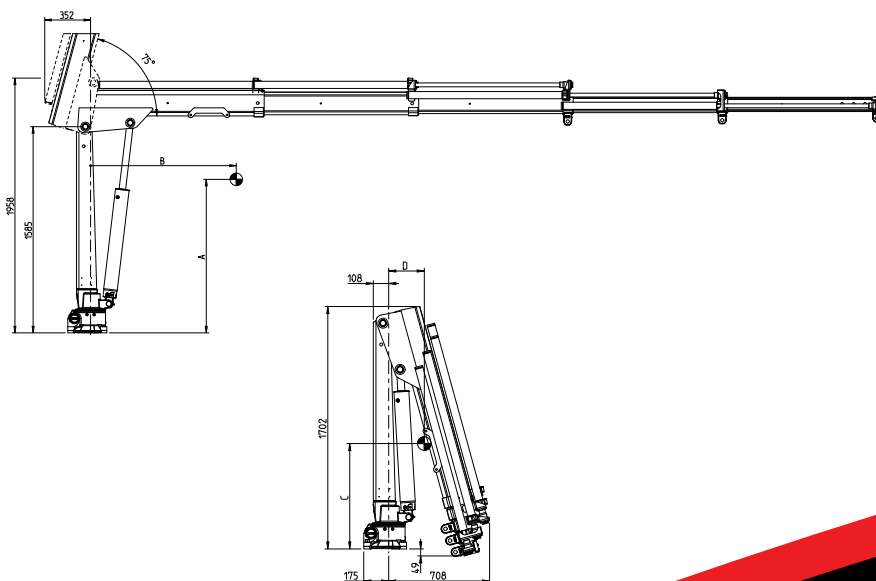
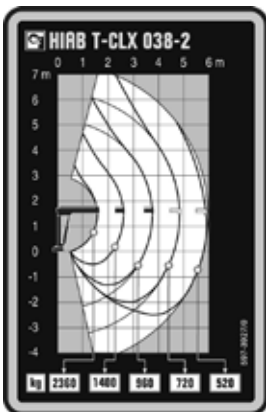


HIAB T-038 range Capacity 3.3 tm

For utility trucks involved in moderately heavy loading operations, the HIAB T-038 range is the perfect match. Available with two, three or four hydraulic extensions, it has a lifting capacity of a little above 2.3 tonnes at close range, plus an outreach of up to 7.2 metres when using manual extensions. These characteristics make it ideal for handling loads such as heavy gardening equipment, medium-size machinery and building materials.

The choice of three control systems – CLX, Duo and HiDuo – gives you freedom to adapt the HIAB T-038 range to your way of working and your specific needs. You decide between manual and remote control. If you choose the basic option, CLX, you can also choose between CE and non-CE versions.

	HIAB T-CLX 038	HIAB T-Duo 038	HIAB T-HiDuo 038
Lifting capacity (kNm)	34.8	34.8	34.8
Hydraulic extension outreach (m)	6	6	6
Manual extension outreach (m)	7.2	7.2	7.2
Weight (kg)	290	290	300
Operation	Manual/remote	Manual	Remote
Remote control	Yes (Non-CE)	No	Yes
SmartControl	Yes	Yes	Yes
Models	CE/Non-CE	CE/Non-CE	CE/Non-CE
Hybrid operation	Yes	Yes	Yes
Cast base	Yes	Yes	Yes
nDurance	Yes	Yes	Yes
VSL	No	Yes	Yes



BUILT TO PERFORM

Hiab is the world's leading provider of on-road load handling equipment. Customer satisfaction is the first priority for us. Hiab's product range includes HIAB loader cranes, JONSERED recycling and forestry cranes, LOGLIFT forestry cranes, MOFFETT truck-mounted forklifts and MULTILIFT demountables, as well as DEL, WALTCO and ZEPRO tail lifts.

hiab.com

Hiab is part of Cargotec.

cargotec.com



PF-HIAB-T-SERIES-EN_150504

To learn more about
HIAB T-series light range
visit hiab.com/T-series



hiab.com