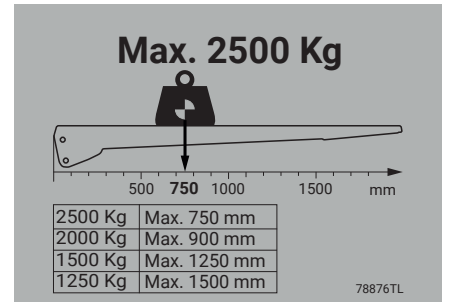
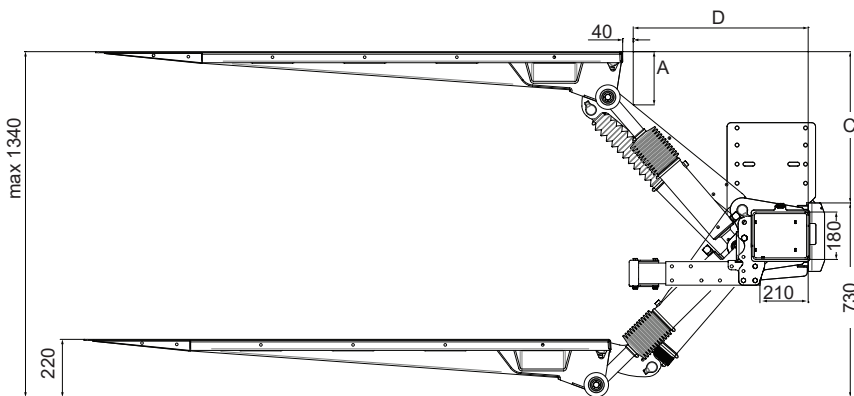


ZEPRO ZDK 250 - 135

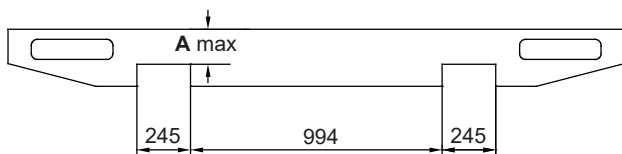
Loading diagram



Installation dimensions (mm)



C	A	D
610	197	620
570	182	669
520	163	721
470	144	764
420	126	800
360	104	835



TD-ZEPRO-ZDK250-135-EN-EU_230929

Technical Data Sheet

2023-09-29 | zepro.com

